



## TPC RESETTING DC/DC CONVERTERS FOR NETWORKING

### FEATURES

- ① 1.8 & 2.25 Watts
- ② Caspactor Input Filter
- ③ TPC Self Resetting Short Circuit Protection
- ④ 24-Pin DIL Package

### GENERAL SPECIFICATIONS

- Efficiency (unregulated) ..... 75% min.
- Switching Frequency ..... 40KHz min.
- Isolation Voltage ..... 500Vdc min.
- Operating Temperature ..... 0 to +71°C

### INPUT SPECIFICATIONS

- Voltage ..... 5 or 12.0Vdc
- Voltage Range ..... ±5%
- Input Filter ..... Capacitor

### OUTPUT SPECIFICATIONS

- Voltage ..... 9.0Vdc
- Voltage Accuracy ..... ±5%
- Short Circuit Protection ..... TPC RESETTING
- Ripple & Noise 20MHz BW ..... 100mV p-p
- Load Regulation ..... ±10.0%

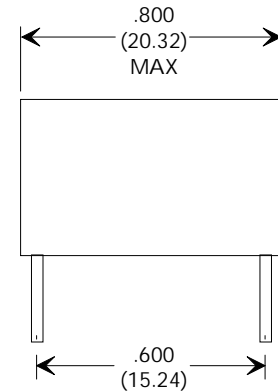
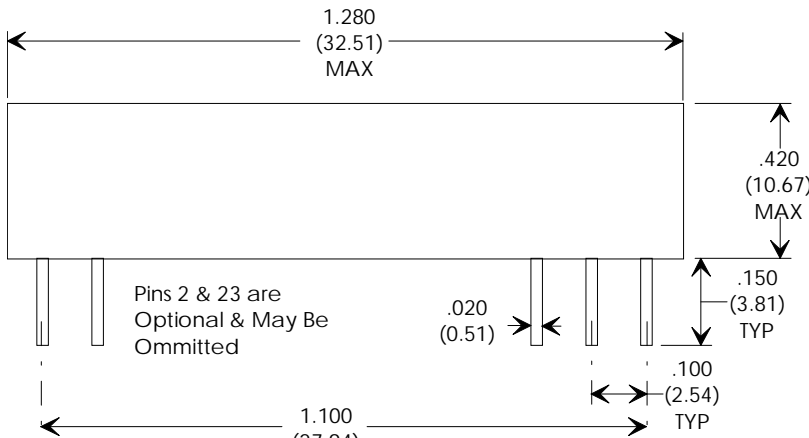
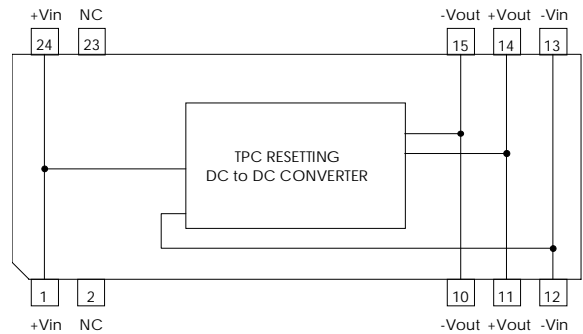
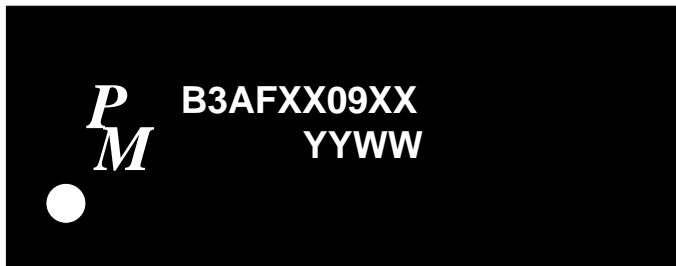
### ELECTRICAL SPECIFICATIONS AT 25°C - OPERATING TEMPERATURE RANGE 0°C TO 71°C

PART NUMBER	INPUT VOLTAGE (Vdc)	OUTPUT VOLTAGE (Vdc)	OUTPUT CURRENT (mA max.)	TPC FUSED INPUT	INPUT CURRENT (mA typ.)	
					NO LOAD	FULL LOAD
B3AF050920	5	9	200	YES	100	575
B3AF120925	12	9	250	YES	40	250

### PACKAGE

### SCHEMATIC

### PHYSICAL DIMENSIONS .... DIMENSIONS IN mm (inches)



Specifications subject to change without notice.

b3af 2/98