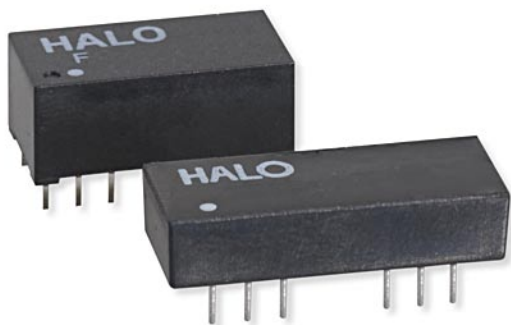


10BASE-T Filter Modules

100Ω DIL Packages with Optional Chokes



Product Features:

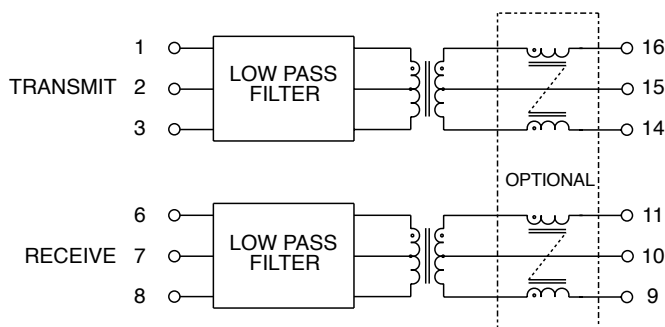
- Standard series of 100Ω filter modules to specifically address the 10BASE-T requirements of IEEE 802.3
- Choice of low or high profile packages
- Optional TX or TX/RX chokes
- Available for most LAN IC manufacturer's products
- 1500Vrms Hi-Pot

Part Number	Filter Description		Optional CMR Chokes	Package
	Transmit	Receive		
FD02-101GRL	100Ω Transformer + Filter	100Ω Transformer + Filter	–	G
FD12-101GRL	100Ω Transformer + Filter	100Ω Transformer + Filter	TX	G
FD22-101GRL	100Ω Transformer + Filter	100Ω Transformer + Filter	TX / RX	G
FD02-101HRL	100Ω Transformer + Filter	100Ω Transformer + Filter	–	H
FD12-101HRL	100Ω Transformer + Filter	100Ω Transformer + Filter	TX	H
FD22-101HRL	100Ω Transformer + Filter	100Ω Transformer + Filter	TX / RX	H

Electrical Specifications @ 25°C

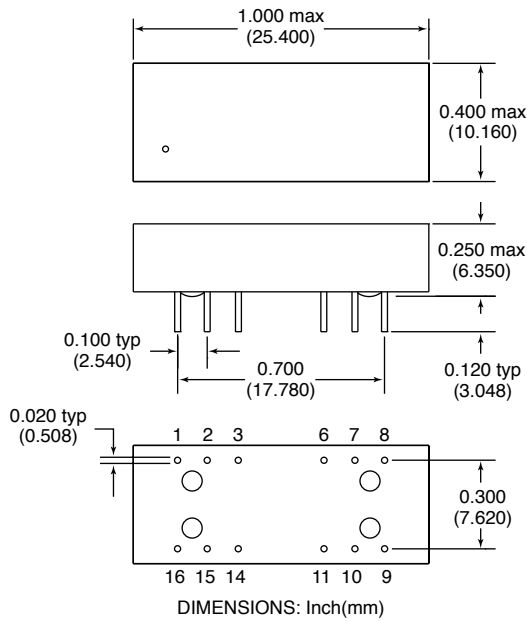
Insertion Loss (5-10MHz):	-1 dB Max.
Return Loss (5-10MHz):	-15 dB Min.
Cross Talk (1-10MHz):	-30 dB Min.
Attenuation @ 30MHz:	Transmit -27 dB Min. Receive -18 dB Min.
Cutoff Frequency:	17 MHz Typ.

Schematic

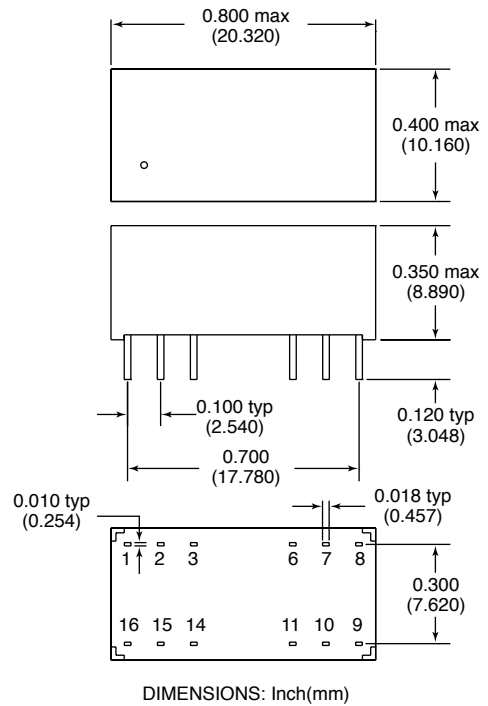


10BASE-T Filter Modules

Package G



Package H



2880 Lakeside Drive #116
 Santa Clara, CA 95054
 (650) 903-3800
www.haloelectronics.com

HALO® Electronics is a leading supplier of high quality communication magnetics including signal transformers, filters, CMR chokes, PoE power transformers, DC/DC converters, and integrated Ethernet connectors. HALO's leading edge technology solutions are manufactured in ISO9001 and ISO14001 factories offering high quality products at a competitive price.

Mouser Electronics

Authorized Distributor

Click to View Pricing, Inventory, Delivery & Lifecycle Information:

[HALO Electronics:](#)

[FD12-101G](#) [FD22-101R2](#) [FD22-104G1](#) [FD22-114G](#) [FD02-104R1](#) [FD12-104R1](#) [FD02-101G](#) [FD12-101H](#) [FD02-104G1](#) [FD22-101H](#) [FD12-114G](#) [FD02-101H](#) [FD02-114G](#) [FD22-104R1](#) [FD22-101G](#) [FD22-101R1](#) [FD12-104G1](#)