

# PVM-1271Q

## SERVICE MANUAL

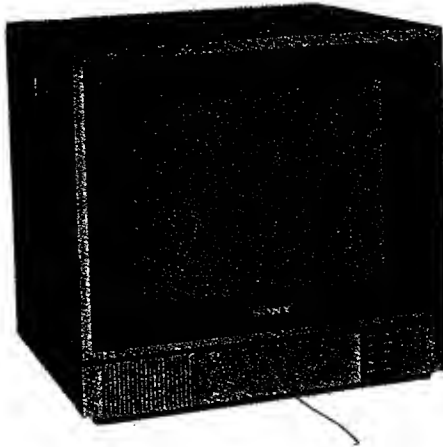
*US Model*

*Chassis No. SCC-611A-A*

*US Model*

*Canadian Model*

*Chassis No. SCC-585A-A*



October, 1984

### SPECIFICATIONS

Color system	PAL, SECAM, NTSC and NTSC <sub>4,43</sub> systems, switched automatically	Inputs	VIDEO IN: BNC connector
Picture tube	Trinitron tube Approx. 33 cm (13 inches), 90-degree deflection, Super Fine Pitch 0.25 mm (Approx. 31 cm picture measured diagonally)		VTR: 8-pin connector, Pin No. 2 (pin No. 6: ground) composite 1 V <sub>p-p</sub> ±6 dB, sync negative, 75 ohms and high impedance switchable
Resolution	RGB inputs: 600 lines, 640 × 200 dots Composite input: 550 lines		AUDIO IN: mini jack VTR: 8-pin connector, Pin No. 1 (pin No. 5: ground)
Color temperature	PVM-1271Q: 9,300°K PVM-1371QM: 6,500°K (Can be changed to either temperature by an internal switch. For switching of the color temperature, consult your authorized Sony dealer.)		-5 dBs, high impedance EXT SYNC IN: BNC connector composite sync 2 - 8 V <sub>p-p</sub> , negative, 75 ohms and high impedance switchable
Frequency response	10 MHz (-3 dB, RGB) 5.5 MHz (-3 dB, composite video)		RGB IN: BNC connector 0.7 V <sub>p-p</sub> , ±6 dB, 75 ohms, non composite
Horizontal linearity	±8%		AUDIO (RGB) IN: mini jack -5 dBs, high impedance
Vertical linearity	±5%		CMPTR: 25-pin connector For details, see "CMPTR connector"
Line pull range	Horizontal ±500 Hz Vertical 8 Hz	Outputs	VIDEO OUT: BNC connector AUDIO OUT: mini jack Output level 1 W
Overscan of the picture	5%		EXT SYNC OUT: BNC connector
Underscan of the picture	9%		RGB OUT: BNC connector
Return loss	4 MHz, 35 dB (LINE A, LINE B)		AUDIO (RGB) OUT: mini jack Loop-through
Zooming	Within 2%	Power requirements	PVM-1271Q: 120 V ac, 50/60 Hz
Convergence	Central area 0.6 mm Periphery 0.8 mm		PVM-1371QM: 220 - 240 V ac, 50/60 Hz
Brightness	More than 35 foot-lamberts	Power consumption	PVM-1271Q: 105 W PVM-1371QM: 90 W
		Dimensions	Approx. 346 × 330 × 387 mm (w/h/d) (13 <sup>3</sup> / <sub>8</sub> × 13 × 15 <sup>1</sup> / <sub>4</sub> inches)
		Weight	Approx. 14.5 kg (31 lb 15 oz)

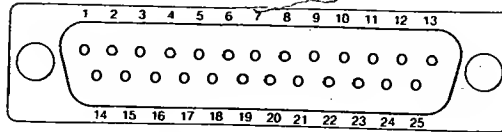


MICROFILM

MON

**TRINITRON®**  
**COLOR VIDEO MONITOR**  
**SONY®**

**CMPTR connector (25-pin)**  
Pin assignment



Pin No.	Signal	Signal level
1*	IBM select	High state (5 V): IBM mode Low state: 3 Bit TTL
2	Audio select	High state (5 V or open): Audio inputs from pin 13. Low state (less than 0.4 V): Audio inputs from the LINE A AUDIO IN jack
3	H. sync or composite sync	Negative polarity When the high state is selected at pin 9: 1 V p-p, 75-ohm terminated When the low state is selected at pin 9: TTL level
4	Blue input	Positive polarity When the high state is selected at pin 9: Analog signal (0.7 V p-p, 75-ohm terminated, non sync) When the low state is selected at pin 9: Digital signal (TTL level)
5	Green input	
6	Red input	
7	+ 12 V power supply	0.3 A max
8	+ 5 V power supply	0.6 A max
9*	Analog/digital mode select	High state (open): Analog signal (0.7 V p-p) Low state (ground): Digital signal (TTL level)
Pin No.	Signal	Signal level
10	RGB/NORMAL mode select	High state (5 V or open): RGB inputs from a microcomputer Low state (ground): Composite video inputs from the LINE A VIDEO IN connector
11	V-sync	Negative polarity TTL level
12	Blanking	High state (5 V or open): Video inputs from a microcomputer only Low state (ground): Composite video input from the LINE A VIDEO IN connector  During the low state, the video signal from the microcomputer is blanked and the composite video signal from the LINE A VIDEO IN connector is superimposed over the signal from the microcomputer.
13	Audio input	Input level -5 dB (100% modulation), input impedance more than 47 k ohms
14	EXT/INT mode sync switch	High state (open): Sync signal input from the CMPTR connector Low state: Sync signal input from the LINE A VIDEO IN connector
15-24	Ground	
25*	IBM luminance signal	Positive polarity When the high state is selected at pin 1: TTL level When the low state is selected at pin 1: Low state (ground)

\* Examples for microcomputer connections

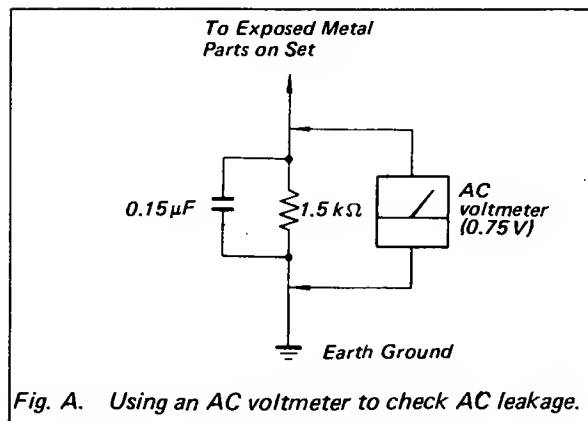
Pin No.	1	9	25
Microcomputer			
SMC-70/SMC-70G	—	High state	—
IBM computer	High state	Low state	IBM luminance signal
TTL 3BIT computer	Low state	Low state	Low state

While the information given is true at the time of printing, small production changes in the course of our company's policy of improvement through research and design might not necessarily be indicated in the specifications. We would ask you to check with your appointed Sony dealer if clarification on any point is required.

## SAFETY CHECK-OUT

After correcting the original service problem, perform the following safety checks before releasing the set to the customer:

1. Check the area of your repair for unsoldered or poorly-soldered connections. Check the entire board surface for solder splashes and bridges.
2. Check the interboard wiring to ensure that no wires are "pinched" or contact high-wattage resistors.
3. Check that all control knobs, shields, covers, ground straps, and mounting hardware have been replaced. Be absolutely certain that you have replaced all the insulators.
4. Look for unauthorized replacement parts, particularly transistors, that were installed during a previous repair. Point them out to the customer and recommend their replacement.
5. Look for parts which, though functioning, show obvious signs of deterioration. Point them out to the customer and recommend their replacement.
6. Check the line cord for cracks and abrasion. Recommend the replacement of any such line cord to the customer.
7. Check the condition of the monopole antenna (if any).  
Make sure the end is not broken off, and has the plastic cap on it. Point out the danger of impalement on a broken antenna to the customer, and recommend the antenna's replacement.
8. Check the B+ and HV to see they are at the values specified. Make sure your instruments are accurate; be suspicious of your HV meter if sets always have low HV.
9. Check the antenna terminals, metal trim, "metallized" knobs, screws, and all other exposed metal parts for AC leakage. Check leakage as described below.



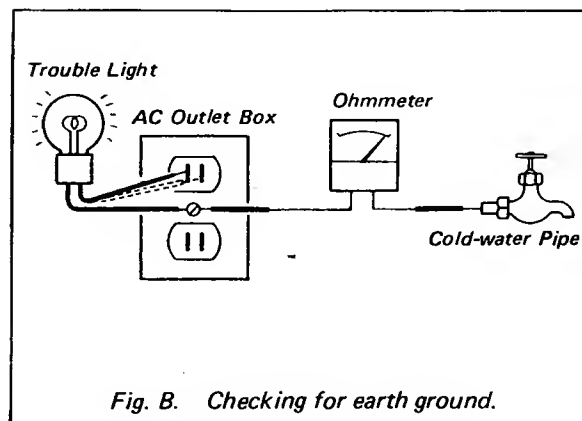
## LEAKAGE TEST

The AC leakage from any exposed metal part to earth ground and from all exposed metal parts to any exposed metal part having a return to chassis, must not exceed 0.5 mA (500 microamperes). Leakage current can be measured by any one of three methods.

1. A commercial leakage tester, such as the Simpson 229 or RCA WT-540A. Follow the manufacturers' instructions to use these instruments.
2. A battery-operated AC milliammeter. The Data Precision 245 digital multimeter is suitable for this job.
3. Measuring the voltage drop across a resistor by means of a VOM or battery-operated AC voltmeter. The "limit" indication is 0.75 V, so analog meters must have an accurate low-voltage scale. The Simpson 250 and Sanwa SH-63Trd are examples of a passive VOM that is suitable. Nearly all battery operated digital multimeters that have a 2V AC range are suitable. (See Fig. A)

## HOW TO FIND A GOOD EARTH GROUND


A cold-water pipe is guaranteed earth ground; the cover-plate retaining screw on most AC outlet boxes is also at earth ground. If the retaining screw is to be used as your earth-ground, verify that it is at ground by measuring the resistance between it and a cold-water pipe with an ohmmeter. The reading should be zero ohms. If a cold-water pipe is not accessible, connect a 60-100 watts trouble light (not a neon lamp) between the hot side of the receptacle and the retaining screw. Try both slots, if necessary, to locate the hot side of the line, the lamp should light at normal brilliance if the screw is at ground potential. (See Fig. B)




## TABLE OF CONTENTS

<u>Section</u>	<u>Title</u>	<u>Page</u>	<u>Section</u>	<u>Title</u>	<u>Page</u>
<b>1. GENERAL</b>					
1-1.	Features .....	5	3-3.	Circuit Adjustments .....	23
1-2.	Precautions .....	5	3-3-1.	D Board Adjustments .....	23
1-3.	Location of Controls .....	6	3-3-2.	B Board Adjustments .....	27
1-4.	Function of Controls .....	7	3-3-3.	Q Board Adjustments .....	31
1-5.	System Connections .....	9			
<b>2. DISASSEMBLY</b>			<b>4. DIAGRAMS</b>		
2-1.	Cabinet Ass'y Removal .....	12	4-1.	Block Diagram .....	35
2-2.	B Board Removal .....	12	4-2.	Circuit Boards Locating .....	38
2-3.	Chassis Ass'y Removal .....	13	4-3.	Waveforms .....	39
2-4.	F board Removal (1) .....	14	4-4.	Schematic Diagram .....	43
2-5.	F board Removal (2) .....	14	4-5.	Printed Wiring Boards .....	51
2-6.	Picture Tube Removal .....	15	B Board	.....	51
			D Board	.....	52
			Q Board	.....	54
			H Board	.....	55
			C <sub>1</sub> Board	.....	56
			C <sub>2</sub> Board	.....	57
			F and F <sub>2</sub> Boards	.....	58
			4-6.	Semiconductors .....	59
<b>3. ADJUSTMENTS</b>			<b>5. EXPLODED VIEWS</b>		
3-1.	Setup Adjustments .....	16	5-1.	Cabinet .....	60
3-1-1.	Beam Landing .....	16	5-2.	Bezel .....	61
3-1-2.	Convergence .....	17	5-3.	Chassis .....	62
3-1-3.	Focus .....	17			
3-1-4.	White Balance .....	18			
3-2.	Safety Related Adjustments .....	20	<b>6. ELECTRICAL PARTS LIST</b>		63

## SAFETY-RELATED COMPONENT WARNING !!

COMPONENTS IDENTIFIED BY SHADING AND MARK  ON THE SCHEMATIC DIAGRAMS, EXPLODED VIEWS AND IN THE PARTS LIST ARE CRITICAL TO SAFE OPERATION. REPLACE THESE COMPONENTS WITH SONY PARTS WHOSE PART NUMBERS APPEAR AS SHOWN IN THIS MANUAL OR IN SUPPLEMENTS PUBLISHED BY SONY. CIRCUIT ADJUSTMENTS THAT ARE CRITICAL TO SAFE OPERATION ARE IDENTIFIED IN THIS MANUAL. FOLLOW THESE PROCEDURES WHENEVER CRITICAL COMPONENTS ARE REPLACED OR IMPROPER OPERATION IS SUSPECTED.

## ATTENTION AUX COMPOSANTS RELATIFS À LA SÉCURITÉ II

LES COMPOSANTS IDENTIFIÉS PAR UNE TRAME ET PAR UNE MARQUE  SUR LES SCHÉMAS DE PRINCIPE, LES VUES EXPLOSÉES ET LES LISTES DE PIÈCES SONT D'UNE IMPORTANCE CRITIQUE POUR LA SÉCURITÉ DU FONCTIONNEMENT. NE LES REMPLACER QUE PAR DES COMPOSANTS SONY DONT LE NUMÉRO DE PIÈCE EST INDIQUÉ DANS LE PRÉSENT MANUEL OU DANS DES SUPPLÉMENTS PUBLIÉS PAR SONY. LES RÉGLAGES DE CIRCUIT DONT L'IMPORTANCE EST CRITIQUE POUR LA SÉCURITÉ DU FONCTIONNEMENT SONT IDENTIFIÉS DANS LE PRÉSENT MANUEL. SUIVRE CES PROCÉDURES LORS DE CHAQUE REMPLACEMENT DE COMPOSANTS CRITIQUES, OU LORSQU'UN MAUVAIS FONCTIONNEMENT EST SUSPECTÉ.

## SECTION 1

### GENERAL

#### 1-1. FEATURES

##### High-resolution picture

The Super Fine Pitch Trinitron picture tube (0.25 mm aperture grill) gives high resolution (composite: 550 lines, RGB: 650 lines) picture. When used as a character display, up to 2000 characters (80 characters/line × 25 lines) can be displayed with great clarity.

##### Analog/digital RGB input

Analog RGB and digital (TTL level) RGB input signals can be fed to the RGB input connectors (BNC type and 25-pin multi connectors), which allows a microcomputer or a data information system such as teletext, to be connected to this monitor.

##### Receives 4 TV broadcasting standards

This monitor can receive PAL, SECAM, NTSC and NTSC<sub>4.43</sub> \* signals. The appropriate broadcasting standard is selected automatically.

##### Colorpure Filter

When NTSC video signals are received, a colorpure filter activates to increase the resolution about 35%, resulting in fine picture detail without color spill or color noise.

##### Underscan mode

The signal normally scanned outside of the screen can be monitored in the underscan mode.

##### Automatic frequency control

The incoming sync timing error compensation speed can be set to fast or slow, according to the input signal. In the slow mode, the jitter from a video tape recorder can be easily monitored.

##### Superimposition of a picture from a microcomputer on a picture from video equipment

When a Sony SMC-70 or SMC-70G microcomputer, an SMI-7073 superimposer and video equipment such as a video disc player are used together with this monitor, a picture from the microcomputer can be superimposed on a picture from the video equipment.

\* An NTSC<sub>4.43</sub> system signal is obtained by playing back NTSC-recorded video tapes with a video tape recorder/player specially designed for use with this system.

---

By using an optional MB-502 mounting bracket, the PVM-1271Q/1371QM can be mounted in an EIA standard 19-inch rack. An optional SLR-102 slide rail is also available. For mounting details, see the appropriate instruction manual.

---

#### 1-2. PRECAUTIONS

##### On safety

- Check that the operating voltage of your unit is identical with the voltage of your local power supply.
- Should any liquid or solid object fall into the cabinet, unplug the unit and have it checked by qualified personnel before operating it any further.
- Unplug the unit from the wall outlet if it is not to be used for several days.
- To disconnect the ac power cord, pull it out by the plug. Never pull the cord itself.

##### On installation

- Allow adequate air circulation to prevent internal heat build-up.
- Do not place the unit on surfaces (rugs, blankets, etc.) or near materials (curtains, draperies) that may block the ventilation holes.
- Do not install the unit in a location near heat sources such as radiators or air ducts, or in a place subject to direct sunlight, excessive dust, mechanical vibration or shock.

##### On cleaning

To keep the unit looking brand-new, periodically clean it with a soft cloth. Stubborn stains may be removed with a cloth lightly dampened with a mild detergent solution. Never use strong solvents such as thinner or benzene, or abrasive cleansers since these will damage the cabinet. As a safety precaution, unplug the unit before cleaning it.

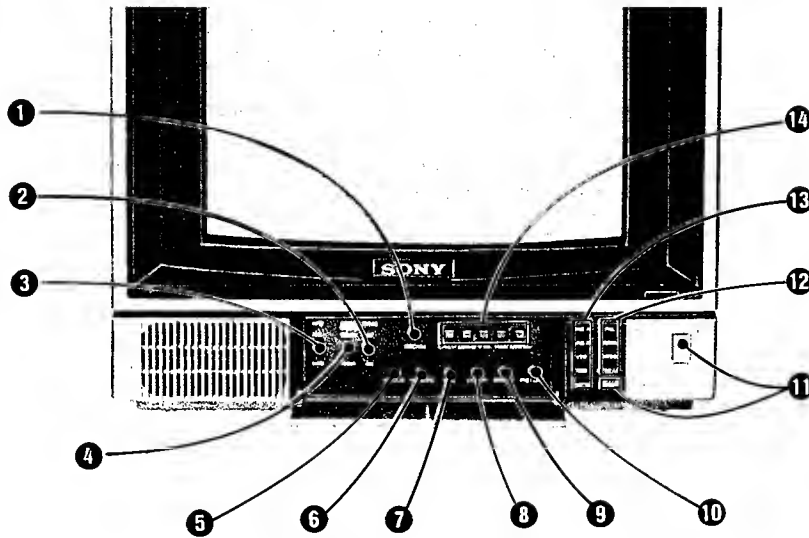
##### On repacking

Do not throw away the carton and packing materials. They make an ideal container in which to transport the unit. When shipping the unit to another location, repack it as illustrated on the carton.

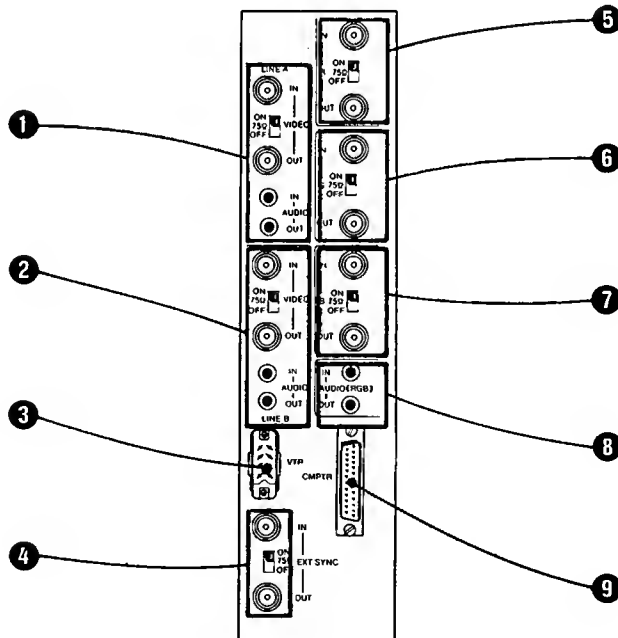
If you have any questions about this unit, contact your authorized Sony dealer.

1-3. LOCATION OF CONTROLS

Front panel



Rear panel



## 1-4. FUNCTION OF CONTROLS

### FRONT PANEL

#### ① SECAM button

Press this button when a picture from SECAM color sources is distorted. The picture will become clear.

#### ② SYNC select switch

Sync may be supplied from an external sync generator to the EXT SYNC IN connector on the rear PANEL. When an external sync is supplied, with either a composite or non-composite video input, set the SYNC select switch to EXT. When composite video is supplied with no external sync, set the SYNC select switch to INT.

#### ③ AFC (automatic frequency control) switch

Select the AFC operation in the fast mode or slow mode.

**FAST:** incoming sync timing errors are compensated for. Normally, set this switch to this position.

**SLOW:** incoming sync timing errors are displayed on the screen.

This mode is used to monitor the jitter from a VTR.

#### ④ SCAN MODE select switch

Normal scanning or under scanning is achieved by proper setting of the SCAN MODE select switch. Set to NORMAL for normal scanning, or to UNDER for viewing a picture which does not appear in normal scanning. Under scanning reduces the display size by about 9%.

#### ⑤ V HOLD (vertical hold) control

If the picture rolls vertically, correct it with this control.

#### ⑥ VOLUME control

Turn this control clockwise or counterclockwise to obtain the desired volume.

#### ⑦ HUE control

This control is effective only for playing tapes of the NTSC or NTSC<sub>4,43</sub> system. Use to obtain the most natural skin tones. Clockwise rotation makes the skin tones more greenish; counterclockwise rotation makes them more purplish.

#### ⑧ COLOR control

Adjusts the color intensity of the picture. Clockwise rotation makes the picture more vivid; counterclockwise rotation makes it paler.

#### ⑨ BRIGHT (brightness) control

Adjusts the brightness. Normally set this control at the center detent position.

#### ⑩ PICTURE control

Adjusts the contrast, color intensity and brightness simultaneously in the proper ratio.

#### ⑪ POWER switch and indicator

To turn the monitor on, depress the POWER switch. The indicator will light. To turn the monitor off, press the switch again.

#### ⑫ Color system indicators

Indicate the color system of the input video signal.

#### ⑬ Input indicators

Illuminate to indicate the input select button pressed.

#### ⑭ Input select buttons

Press to select the program to be monitored.

LINE A: for a signal from the LINE A connectors.

LINE B: for a signal from the LINE B connectors.

VTR: for a signal from the 8-pin VTR connector.

RGB: for a signal from the R, G and B connectors.

CMPTR: for a signal from the 25-pin CMPTR connector.

**REAR PANEL****① LINE A ② LINE B**

Two groups (A and B) of line input connectors for the composite video and audio signals and their loop-through output connectors.

To monitor the input signals to these connectors, press the LINE A or LINE B input select button on the front panel.

**VIDEO IN connector (BNC type)**

Connect to the video output of a video equipment, such as a VTR or a color video camera. For a loop-through connection, connect to the video output of another monitor.

**VIDEO OUT connector (BNC type)**

Loop-through output of the VIDEO IN connector. Connect to the video input of a VTR or another monitor.

**AUDIO IN jack (mini)**

Connect to the audio output of a VTR or to a microphone via a suitable microphone amplifier. For a loop-through connection, connect to the audio output of another monitor.

**AUDIO OUT jack (mini)**

Loop-through output of the AUDIO IN jack. Connect to the video input of a VTR or another monitor.

**75-ohm termination switch**

When only the VIDEO IN connector is used (nothing is connected to the VIDEO OUT connector), set this switch to ON. When both the VIDEO IN and VIDEO OUT connectors are used together for loop-through connection, set this switch to OFF.

**③ VTR connector (8-pin)**

Line input for the video and audio signals. When connected with the 8-pin TV connector of a VTR, the video and audio playback signal from the VTR can be connected with a single cable.

To monitor the input signal to this connector, press the VTR input select button on the front panel.

● For connection, use an optional video cable VMC-3P (3 m, 9 feet), -5P (5 m, 15 feet) or -10P (10 m, 33 feet).

**④ EXT SYNC (external sync) IN connector (BNC type)**

When this monitor operates on an external sync signal, connect the reference signal from a sync generator here.

**OUT connector (BNC type)**

Loop-through output of the EXT SYNC IN connector. Connect to the external sync input of video equipment to be synchronized with this monitor.

**75-ohm termination switch**

When only the EXT SYNC IN connector is used (nothing is connected to the EXT SYNC OUT connector), set this switch to ON.

When both the EXT SYNC IN and EXT SYNC OUT connectors are used together for a loop-through connection, set this switch to OFF.

**⑤ R ⑥ G ⑦ B ⑧ AUDIO (RGB)**

Analog RGB and audio input connectors and their loop-through output connectors.

To monitor the input signal to these connectors, press the RGB input select button on the front panel.

**R/G/B IN connectors (BNC type)**

Connect a character generator, microcomputer or video camera having RGB outputs here.

**R/G/B OUT connectors (BNC type)**

Loop through output of the R/G/B IN connectors. Connect to the RGB inputs of another monitor here.

**75-ohm termination switch**

When only the R/G/B IN connector is used (nothing is connected to the R/G/B OUT connector), set this switch to ON. When both the R/G/B IN and R/G/B OUT connectors are used together for a loop-through connection, set this switch to OFF.

**AUDIO (RGB) IN jack (mini)**

Connect the audio output of the equipment connected to the R/G/B IN connectors here.

**AUDIO (RGB) OUT jack (mini)**

Loop-through output of the AUDIO (RGB) IN jack.

**⑨ CMPTR (computer) connector (25-pin)**

Connect with a microcomputer having a digital (TTL level) or analog RGB video output.

To monitor the input signal to this connector, press the CMPTR input select button on the front panel.

**Color temperature selection**

The color temperature of the PVM-1271Q has been preset at the factory to 9,300°K, and can be changed to 6,500°K.

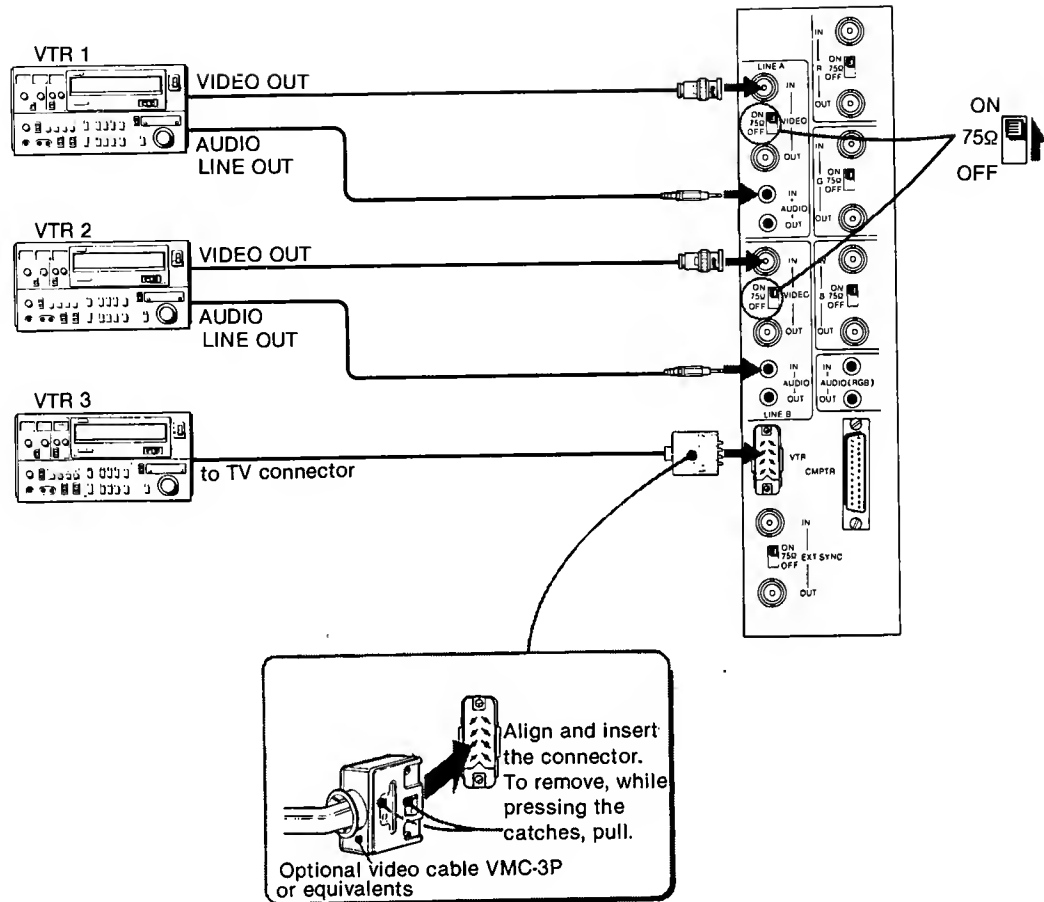
The color temperature of the PVM-1371QM has been preset to 6,500°K, and can be changed to 9,300°K.

If the switching of the color temperature is required, consult your authorized Sony dealer.

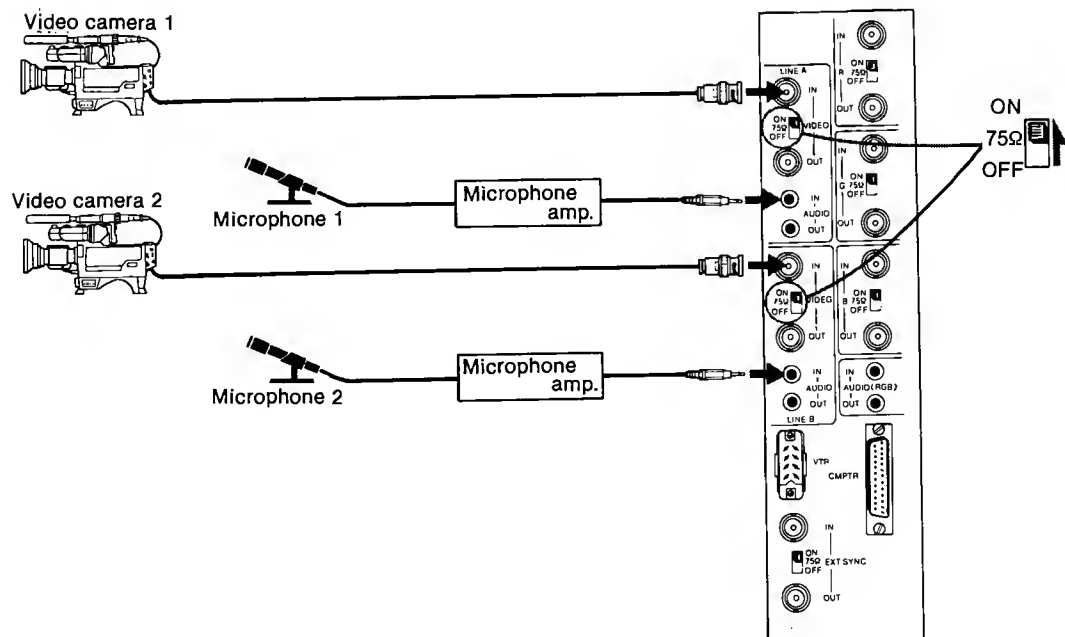


1-5. SYSTEM CONNECTIONS

CONNECTING A VTR



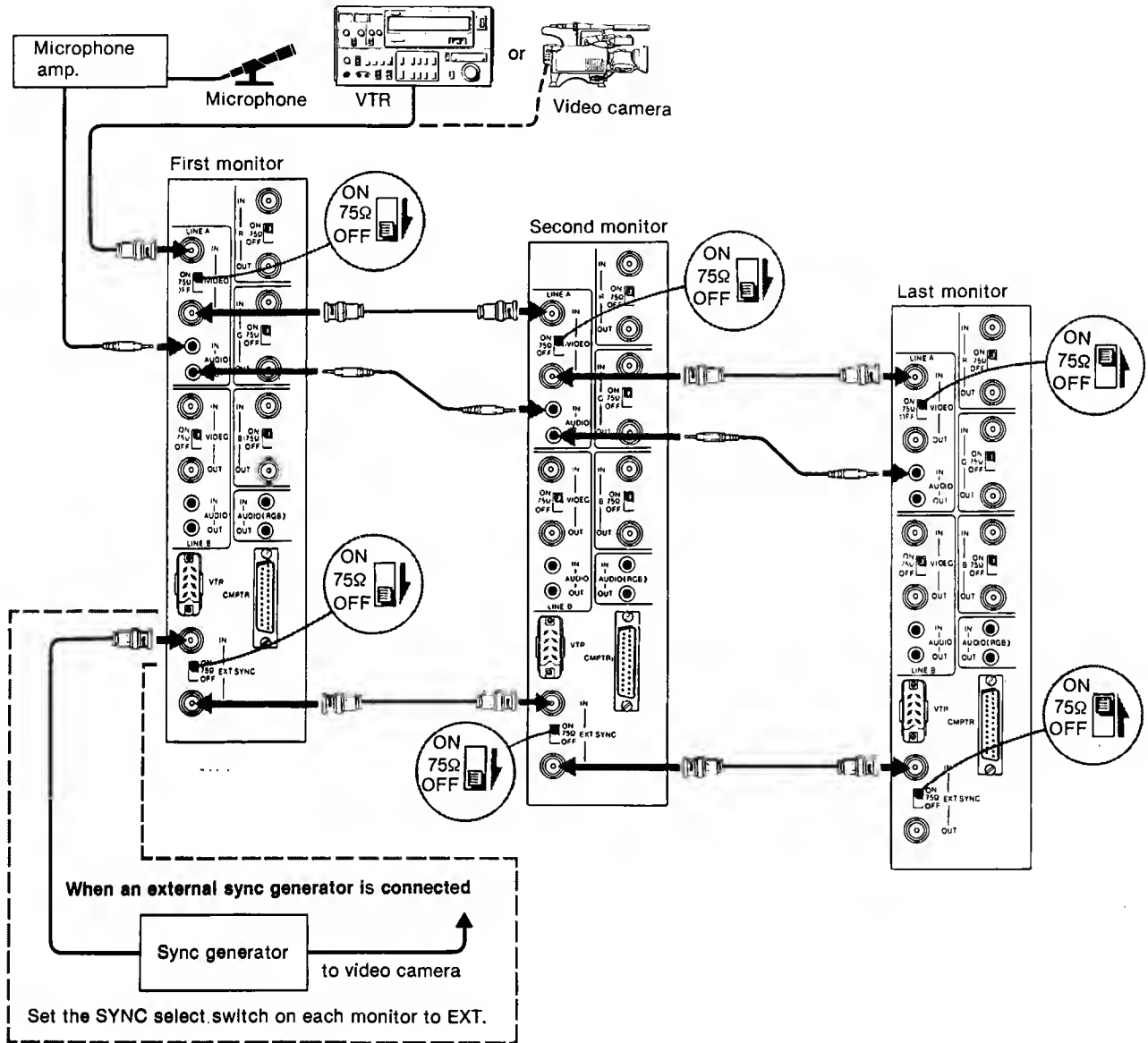
CONNECTING A CAMERA AND A MICROPHONE



### CONNECTING SEVERAL MONITORS

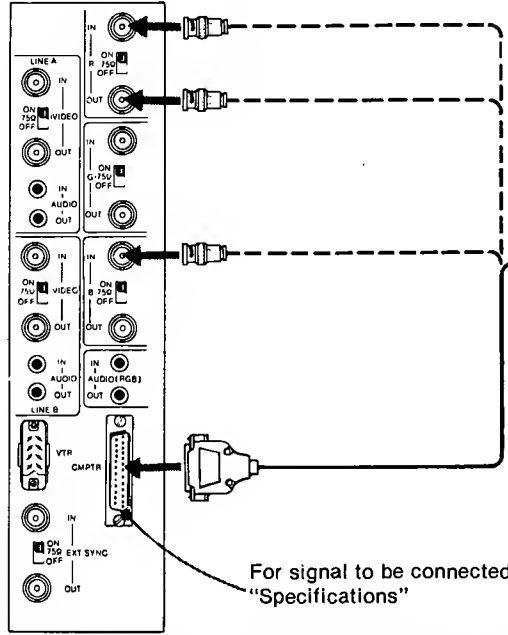
A loop-through connection is convenient for monitoring the same signal on other monitors. Use the video/audio input and output connectors of LINE A or LINE B to connect the monitors. Up to 10 monitors can be connected.

Set the 75-ohm termination switch of the last monitor to ON and that of the other monitors to OFF.

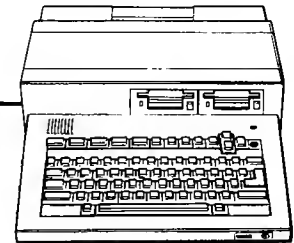


**CONNECTING A MICROCOMPUTER OR A TERMINAL FOR DATA INFORMATION SYSTEM**

When a microcomputer has only a composite video output connector, connect it to the LINE A or LINE B VIDEO IN connector.



Connecting cable SMK-0002



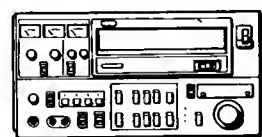
Microcomputer or data information system

For signal to be connected, see "Specifications"

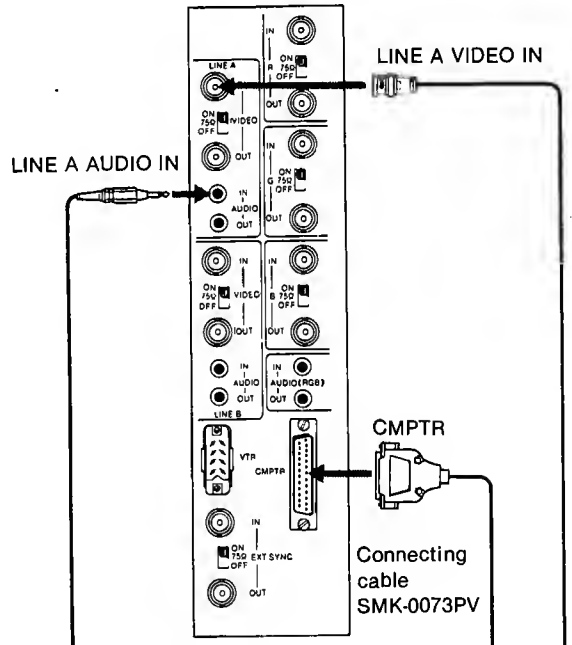
**SUPERIMPOSING A PICTURE FROM A MICROCOMPUTER OVER A PICTURE FROM A VIDEO EQUIPMENT OR MIXING THESE TWO PICTURES**

Using the Sony SMI-7073 superimposer, a picture from a microcomputer can be superimposed on this monitor's screen over a picture from video equipment. When the SMC-70 microcomputer is used, superimposition of pictures from a video disc player and from the SMC-70 is possible. When the SMC-70G microcomputer is used, superimposition of pictures from the SMC-70G and video equipment in addition to a video disc player, such as a video camera or a VTR, is possible.

VTR, video disc player, video camera, etc.

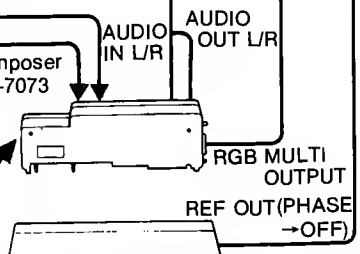


Video output



Connecting cable SMK-0073PV

RGB superimposer SMI-7073



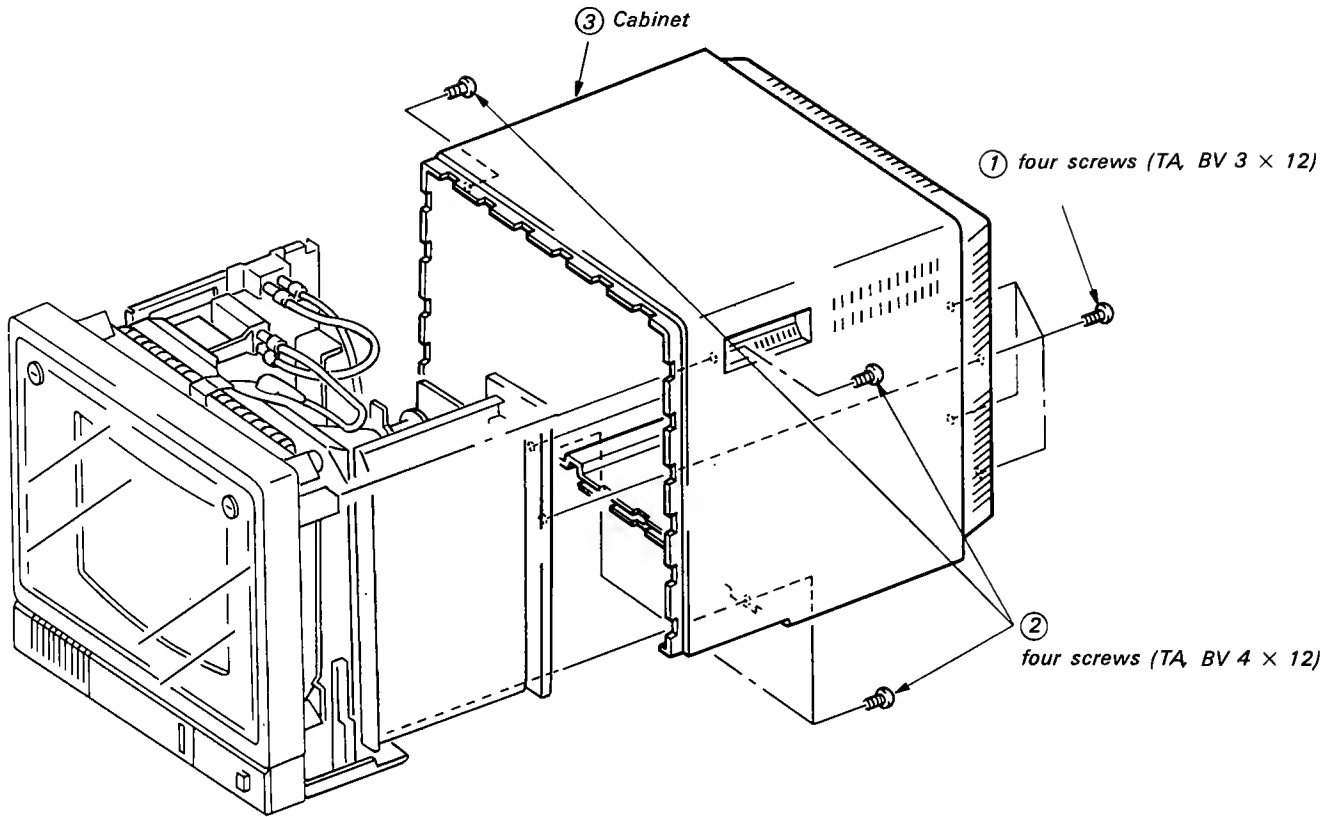
RGB MULTI OUT

REF IN (75Ω -> OFF)

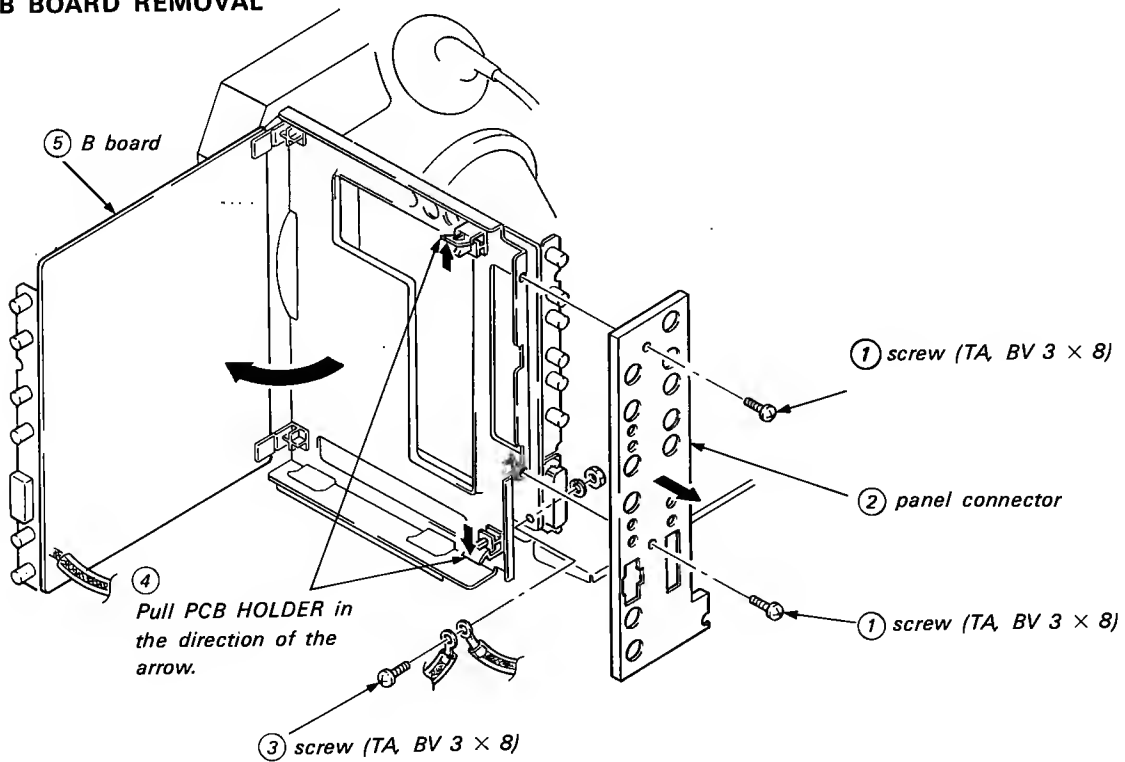
SMC-70G and floppy disk unit

## SECTION 2 DISASSEMBLY

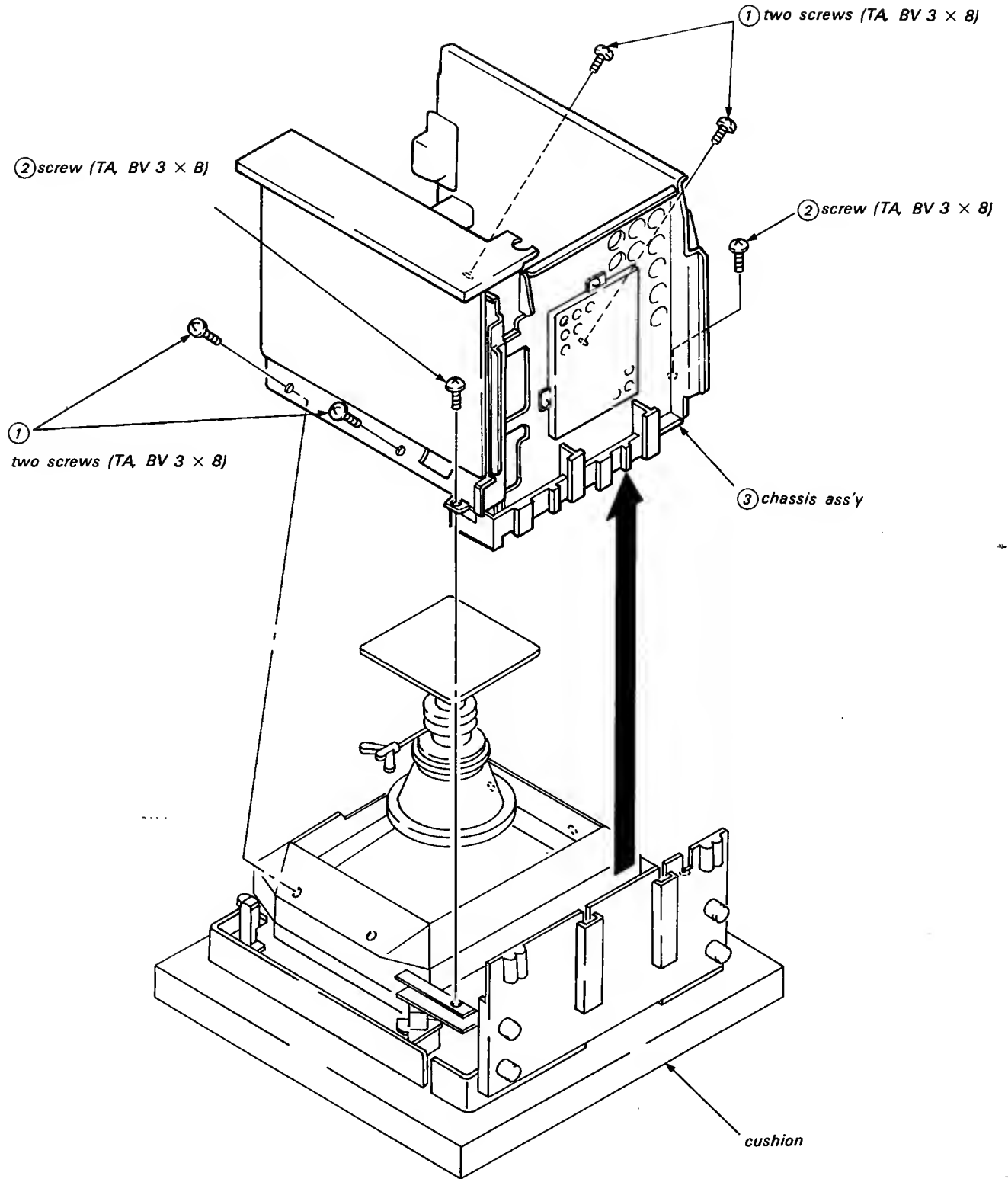
### 2-1. CABINET ASS'Y REMOVAL



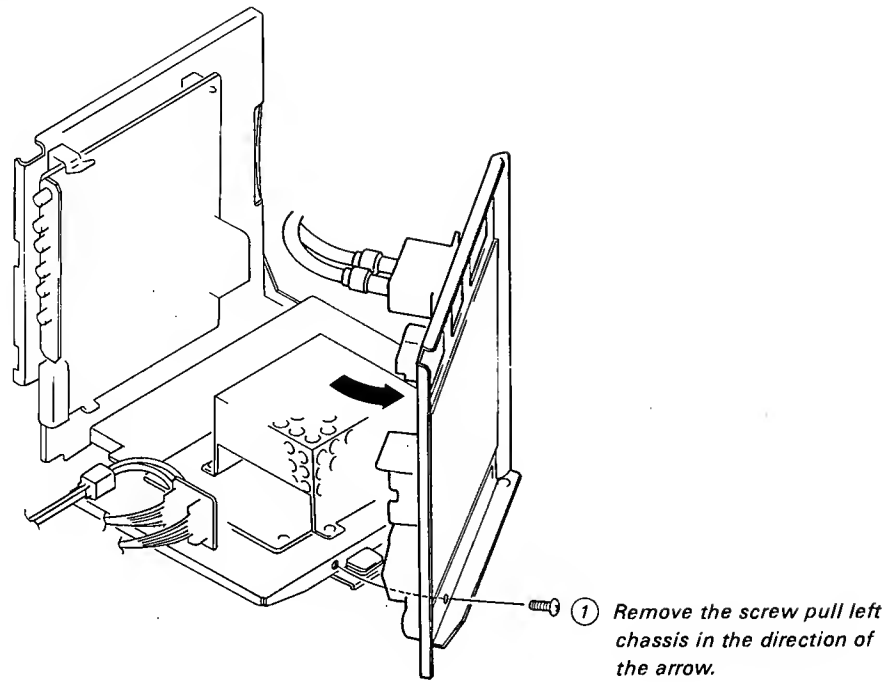
### 2-2. B BOARD REMOVAL



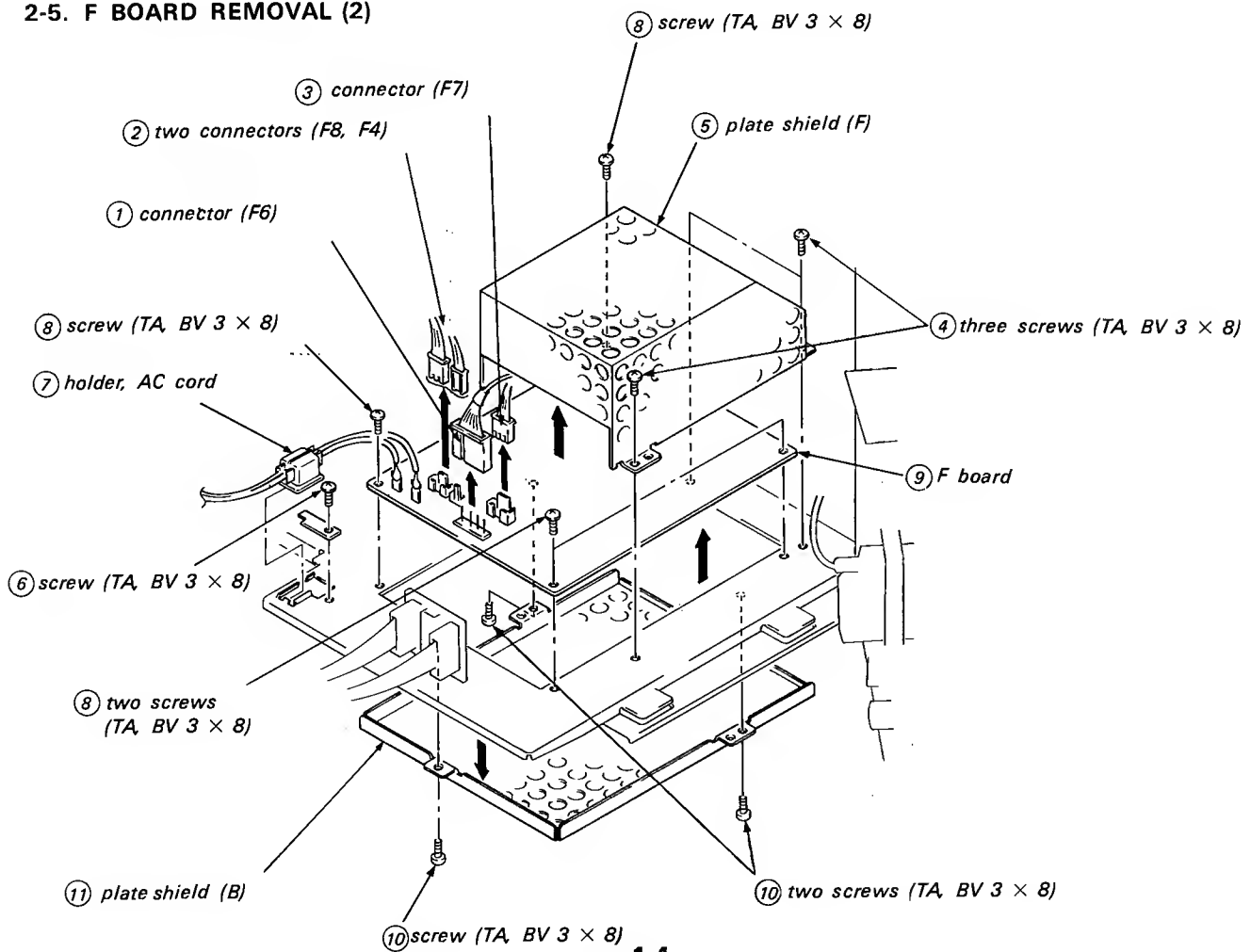
2-3. CHASSIS ASS'Y REMOVAL



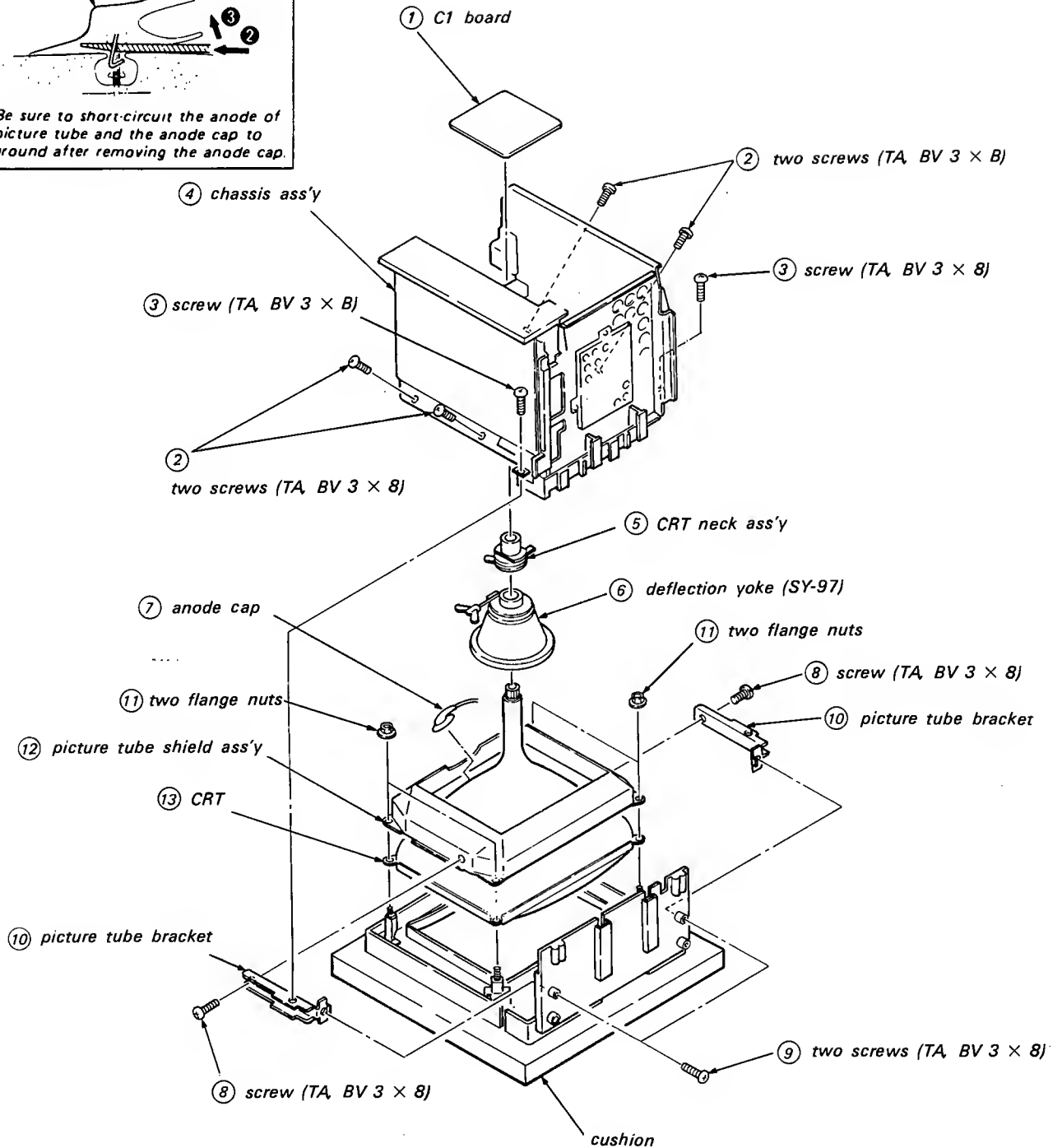
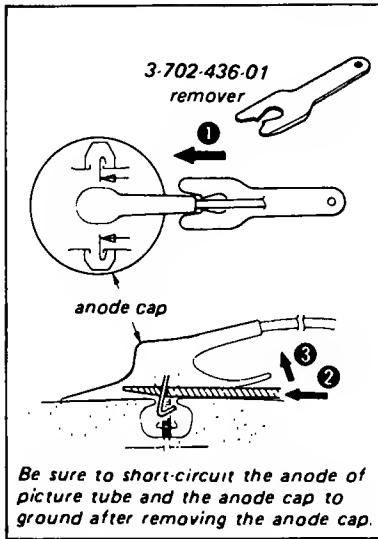
2-4. F BOARD REMOVAL (1)



2-5. F BOARD REMOVAL (2)



2-6. PICTURE TUBE REMOVAL



## SECTION 3 ADJUSTMENTS

### 3-1. SETUP ADJUSTMENTS

#### 3-1-1. BEAM LANDING

Landing Adjustment In the case of a 6,500°K color temperature, the number of VRs to be adjusted will differ.

- (1) Turn on set power supply and receive and all-white signal.
- (2) Evenly degauss the entire screen.
- (3) Loosen the deflection yoke mounting screw, and set the purity control to the center as shown in Fig. 3-1.
- (4) Set BKG volume RV706 (R) to maximum and set RV704 (G) and RV702 (B) to minimum.
- (5) Move the deflection yoke back, and adjust the purity control so that (R) is in the center and (G) and (B) are at the sides, evenly. (Fig. 3-2)
- (6) Move the deflection yoke forward so that the entire screen is R.
  - \* If the deflection yoke is pushed all the way to the CRT then moved slightly back, landing adjustment is easier.
- (7) Substitute (R), then (B) for (G) in step (4) and check landing.
- (8) Rotate (R), (G) and (B) once each and check landing.
- (9) When landing is not right, adjust the purity control and use magnets as shown in Fig. 3-3, then repeat steps (7) and (8).
- (10) When a magnet is used, be sure to perform step (2), and tighten deflection yoke mounting screw loosely.

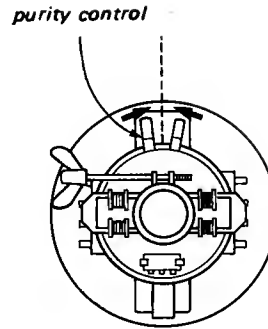


Fig. 3-1.

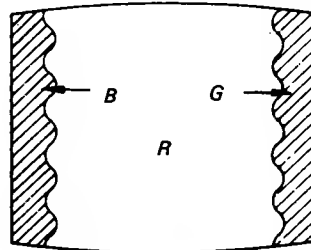


Fig. 3-2.

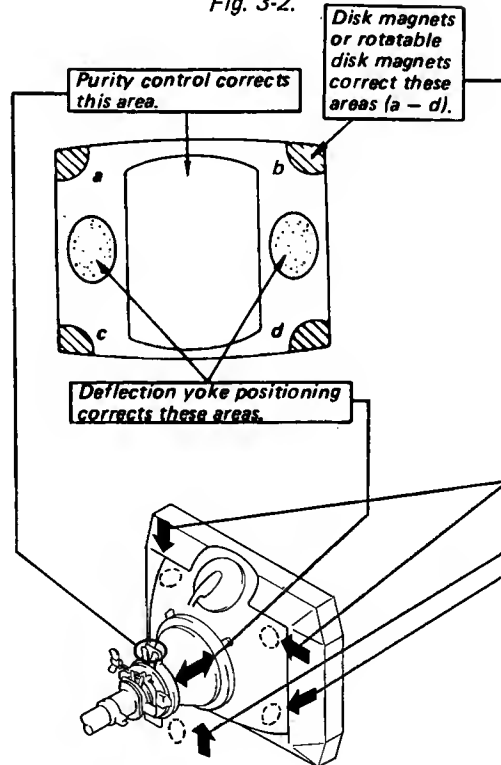
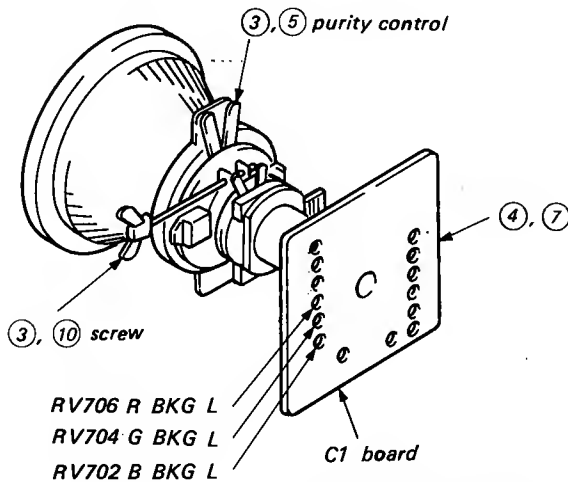


Fig. 3-3.

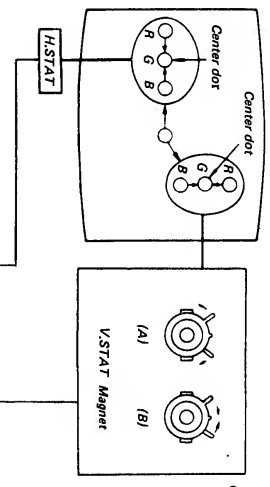


Note: The circled numbers (3-7) and (10) shown above steps.



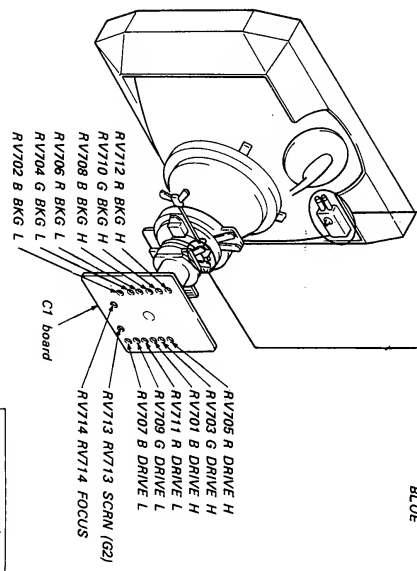
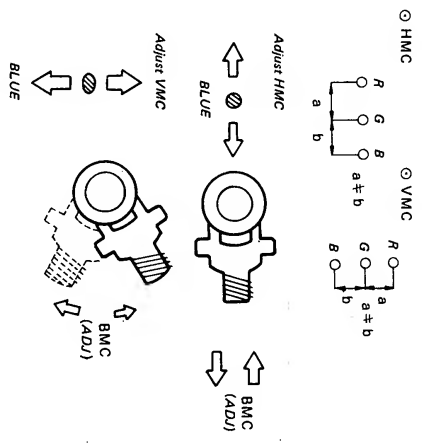
**3-1-2. CONVERGENCE**

- Preparation:**
- Before starting, perform FOCUS, H.SIZE, V.SIZE and V.LIN adjustments.
  - Set BRIGHTNESS control to fully counter-clockwise.
  - Feed in the dot pattern.



**(1) Horizontal and Vertical Static Convergence**

- If blue dot does not coincide with red and green dots, perform following steps.
1. Move BMC magnet to correct insufficient H static convergence.
  2. Rotate BMC magnet to correct insufficient V static convergence.
- In either case, repeat Beam Landing Adjustment.



**3-1-3. FOCUS [RV714]**

- (1) Feed in monoscope signal. (PICTURE: 80%, BRIGHT: 50%)
- (2) Adjust RV714 for best Focus

**(2) Dynamic Convergence Adjustment**

- Preparation:**
- Before starting, perform Horizontal and Vertical Static Convergence Adjustment.
1. Loosen deflection yoke screw.
  2. Remove deflection yoke spacers.
  3. Move the deflection yoke for best convergence as shown below.
  4. Tighten the deflection yoke screw.
  5. Install the deflection yoke spacers.

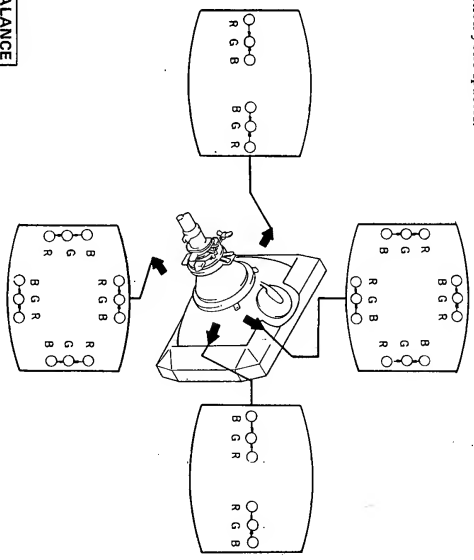
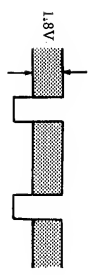
**3-1-4. WHITE BALANCE**

**Preparations**

- 1) Adjustment of Screen (G2)  
Make the picture into minimum size by receiving monoscope signal, and set the brightness at 50%. The G1 voltage at the time should be 5 ± 1V.
- 2) Adjust BKG VR (RV702, R704 and R706) so that R:G:B Cathode voltage becomes 110V DC  
Adjust with G2 VR (RV13) immediately prior to the disappearing of the luminous line.

[For 9300°K Color Temperature:]

- (1) Receive a totally white signal from the pattern generator.  
Set BRIGHT at 50%, PICTURE at 0%, the various
- 2) Attach an oscilloscope to the input point B (blue) of CONT VR, and perform adjusting with RV107 (SUB picture) so that the signal of the maximum size of picture will become 1.8V.



- (3) BKG VR (RV708, 710, and 712) at 20%, and the various DRIVE VR (RV701, 703, and 705) at 60%.
- (4) Turn all the other BKG VR than the one for the color that started glowing first, and adjust the white balance at cut-off.
- (5) Adjust the high light side white balance with drive VR.
- (6) By turning other drive VR than the one for the color glowing the brightest of all, adjust the white balance. Repeat operating steps (3) and (4).

[For 6500°K Color Temperature:]

- (1) By turning BKG VR (RV702, 704, and 706) and drive VR (RV707, 709, and 711), make the same adjustment as in the 9,300°K color temperature mode.

- ADJUSTMI**
- Preparation**
- 1) Conne (Chron
  - 2) Set the to "RC
  - 3) PICTU BRIGH
  - 4) Confir center at 1.8 V
  - 5) Set the PICTU with R second
- Adjustment**
- 1) Set the 6500°K
  - 2) PICTU BRIGH
  - 3) Adjust RV404
  - 4) Raise t there i
  - 5) Confir 9300°K

ice

and green

at H static

sufficient

justment.

(2) Dynamic Convergence Adjustment

Preparation:

- Before starting, perform Horizontal and Vertical Static Convergence Adjustment.

1. Loosen deflection yoke screw.
2. Remove deflection yoke spacers.
3. Move the deflection yoke for best convergence as shown below.
4. Tighten the deflection yoke screw.
5. Install the deflection yoke spacers.

3-1-4. WHITE BALANCE

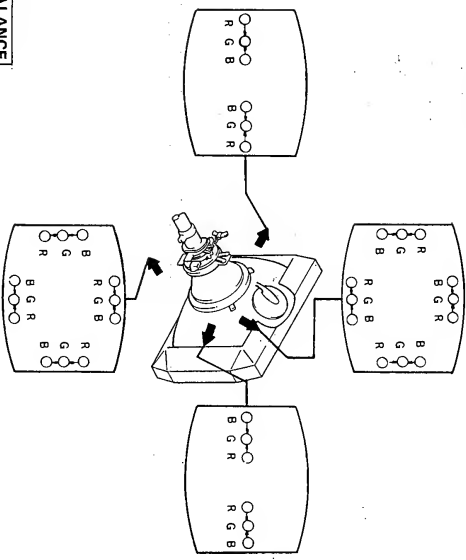
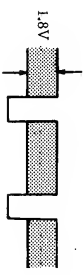
Preparations

Adjustment of Screen (G2)

- 1) Make the picture into minimum size by receiving monoscope signal, and set the brightness at 50%. The GI voltage at the time should be  $5 \pm 1V$ .
- 2) Adjust BKG VR(RV702, R704 and R706) so that R.G.B. Cathode voltage becomes 110V DC. Adjust with G2 VR (RV713) immediately prior to the disappearing of the luminous time.

[For 9300°K Color Temperature:]

- (1) Receive a totally white signal from the pattern generator.
- (2) Set BRIGHT at 50%, PICTURE at 0%, the various drive VR (RV707, 709, and 711), make the same adjustment as in the 9,300°K (SUB CONT VR) so that the signal of the maximum size of picture will become 1.8V.



- (3) BKG VR (RV708, 710, and 712) at 20%, and the various DRIVE VR (RV701, 703, and 705) at 60%.

- (4) Turn all the other BKG VR than the one for the color that started glowing first, and adjust the white balance at cut-off.
- (5) Adjust the high light side white balance with drive VR.
- (6) By turning the bright side VR than the one for the color glowing the brightest of all, adjust the white balance. Repeat operating steps (3) and (4).

[For 6500°K Color Temperature:]

- (1) By turning bkg VR (RV702, 704, and 706) and drive VR (RV707, 709, and 711), make the same adjustment as in the 9,300°K color temperature mode.

ADJUSTMENT OF RGB WHITE BALANCE

Preparations:

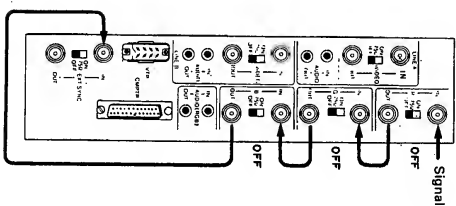
- 1) Connect the connector as shown in diagram. (Chroma off of color bar signal)
- 2) Set the mode switching button on the control panel to "R.G.B." mode
- 3) PICTURE VR (RV684) ... Maximum BRIGHTNESS VR (RV681) ... 50% at mechanical center

Confirm that pin ③ (green) of connector Q-4 is set at 1.8 V<sub>pp</sub>.

- 4) Set the BRIGHTNESS VR (RV681) at 50% and PICTURE VR (RV684) at minimum size, and adjust with RV402 (BRT) so that the screen stripe to the second point counting from the right lights faintly.

Adjustment:

- 1) Set the chromatic temperature selection switch at 6500°K
- 2) PICTURE VR (RV684) ... Minimum BRIGHTNESS VR (RV681) ... 50%.
- 3) Adjust the respective RGBs with BRT VR (RV403, RV404 and R405)
- 4) Raise the PICTURE VR (RV684) and confirm that there is no change in the chromatic temperature. Confirm by setting chromatic selection switch at 9300°K



3.2. SAFETY RELATED ADJUSTMENTS

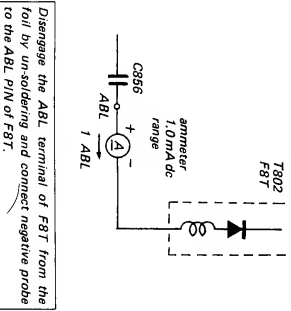
**HOLD DOWN 1 Adjustment ( R829 Adjustment)**

Be sure to perform this after replacing the parts below marked  $\blacksquare$  on the schematic.

- 1. R825, R826, R827, R828, R829, R830, R831, R832, R833, R842, R862, R863, R864, R865, R866, D802, D804, IC801, IC803, R833.

Note: The  $\textcircled{1}$  pin of IC803 is the hold down check point  $\textcircled{A}$ .  
 Disconnect ABL terminal of F8T from the foil and connect the ammeter as shown to measure the ABL terminal current.

1. Feed in color-bar signal.
2. Set the BRIGHT PICTURE & COLOR control to minimum. (ABL  $\approx$  70  $\mu$ A)
3. Confirm that the HOLD DOWN CIRCUIT operates and the raster disappears when 15.50  $\pm$  0.10 V DC is applied to hold down check point  $\textcircled{A}$  from an external DC power supply.
4. Confirm that the applied voltage immediately sets out the HOLD DOWN CIRCUIT does not operate when 14.80  $\pm$  0.10 V DC is applied to hold down check point  $\textcircled{A}$  from an external DC power supply.  
 Note: If the HOLD DOWN CIRCUIT operates, immediately cut input and applied voltage.
5. Feed in a MONOSCOPE signal and adjust ABL current to 570  $\pm$  50  $\mu$ A with PICTURE, BRIGHT, etc. VRs.
6. Confirm that the HOLD DOWN CIRCUIT operates and the raster disappears when 14.50  $\pm$  0.10 V DC is applied to hold down check point  $\textcircled{A}$  from an external DC power supply.  
 Note: When raster disappears cut input voltage and applied voltage immediately.
7. Confirm that the HOLD DOWN CIRCUIT does not operate when 13.50  $\pm$  0.10 V DC is applied to hold down check point  $\textcircled{A}$  from an external DC power supply.  
 Note: If the HOLD DOWN CIRCUIT operates, immediately cut input and applied voltage.
8. Adjust R829 so that steps 3, 4, 6 and 7 are satisfied.
9. Set the ABL terminal back to its original position.
10. Confirm that the voltage on pin  $\textcircled{1}$  of IC803 is 10.6  $\pm$  14.3 V DC at the normal condition.



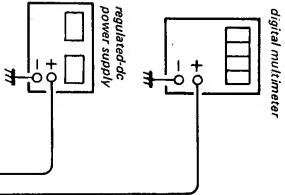
Disconnect the ABL terminal of F8T from the foil by un-soldering and connect negative probe to the ABL pin of F8T.

**HOLD DOWN 2 Adjustment ( R891 Adjustment)**

Be sure to perform this adjustment when replacing the following parts marked  $\blacksquare$  on the schematic:

- 1. R832, R842, R888, R891, R892, R893, R894, D803, D804, D815, Q817, Q818, R833.

1. Input a color-bar signal.
2. PIC VAR MIN
3. Apply DC 119 V to the +B line from an external DC power supply and confirm that HOLD DOWN CIRCUIT operates.  
 Note: The HOLD DOWN CIRCUIT may operate first, so mount about 3.3 k $\Omega$  parallel to D board R829 to reduce HOLD DOWN CIRCUIT sensitivity before performing +B protector operation check.

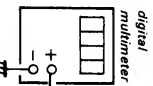


**+B MAX Check ( R640 Adjustment)**

Be sure to perform this adjustment when replacing the following parts marked  $\blacksquare$  on the schematic:

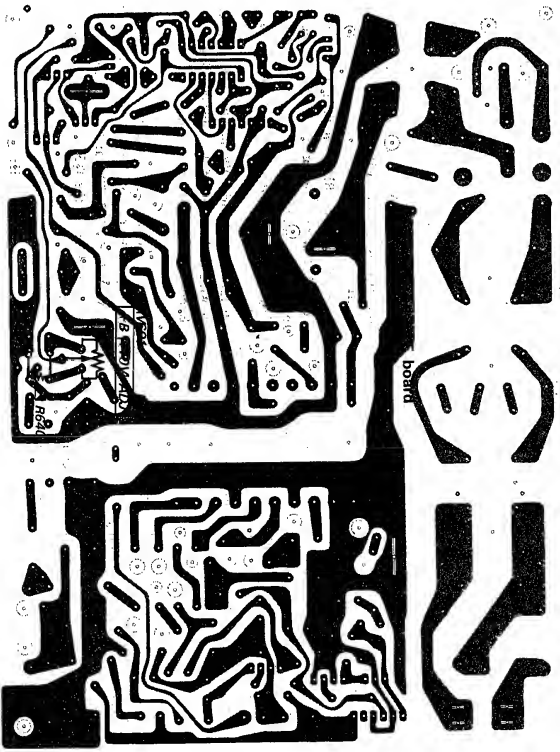
- 1. R614, R615, R616, R622, R624, R632, R640, RV601, T603, T604, D608, D611, IC601.

1. Input a dot signal.
2. Input a AC 130  $\pm$  5 V.
3. Put set in cut-off state.
4. Turn F board +B ADJ VR (RV601) fully so that +B value is maximum.
5. Confirm that +B value is less than 115.0 V.



**+B VOLTAGE Adjustment**

- (1) Feed in a monoscope signal.  
 Set PICTURE control at 80% and BRIGHT control at 50%.
- (2) Supply 100 V AC with variable auto-transformer.
- (3) Adjust RV601 on F board so that +B voltage in 109.0  $\pm$  0.5 V.



**+B MAX Check ( R640 Adjustment)**

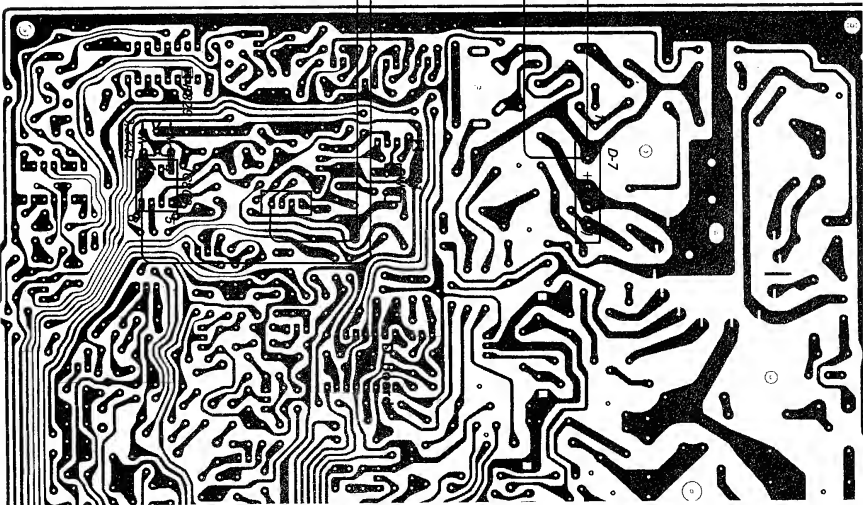
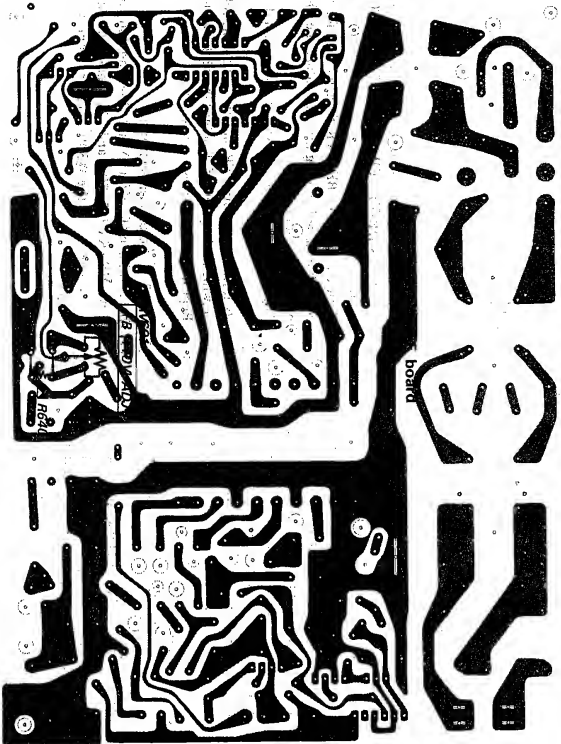
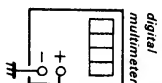
Be sure to perform this adjustment when replacing the following parts (marked  $\blacktriangledown$  on the schematic):

$\blacktriangledown$  R614, R615, R616, R622, R624, R632, R640, RV601, T603, T604, D608, D611, J0601

1. Input a dot signal.
2. Input a AC 130  $\pm$  2 V.
3. Put set in cur-off state.
4. Turn F board +B ADJ VR (RV601) fully so that +B value is maximum.
5. Confirm that +B value is less than 115.0 V.

**+B VOLTAGE Adjustment**

- (1) Feed in a monoscope signal.  
Set PICTURE control at 80% and BRIGHT control at 50%.
- (2) Supply 100 V AC with variable auto-transformer.
- (3) Adjust RV601 on F board so that +B voltage is 109.0  $\pm$  0.5 V.



CUSTOMER CONTROL,  
INPUT SIGNAL INDICATOR

H

1 2 3 4 5 6 7

- H Board -

A

B

C

D

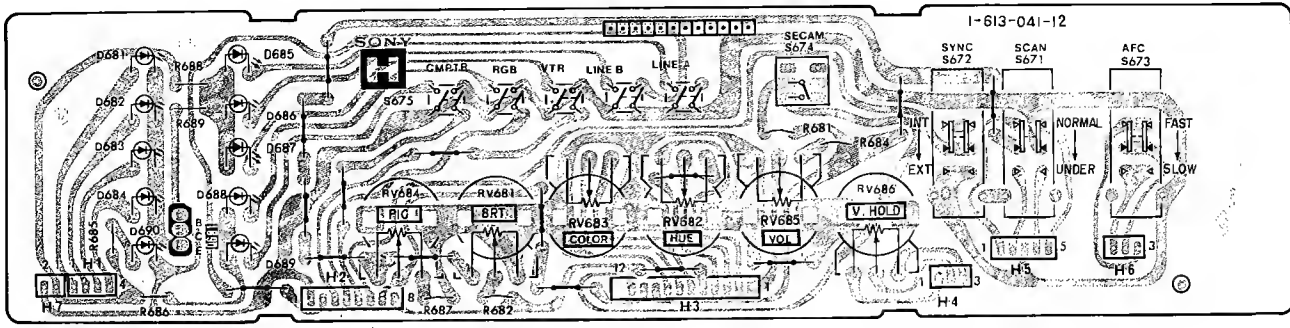
E

F

G

H

I



**C1**

[R.G.B. OUT, R.G.G. DRIVE,  
R.G.B. BKG]

1

2

3

4

5

6

7

— C1 Board —

A

B

C

D

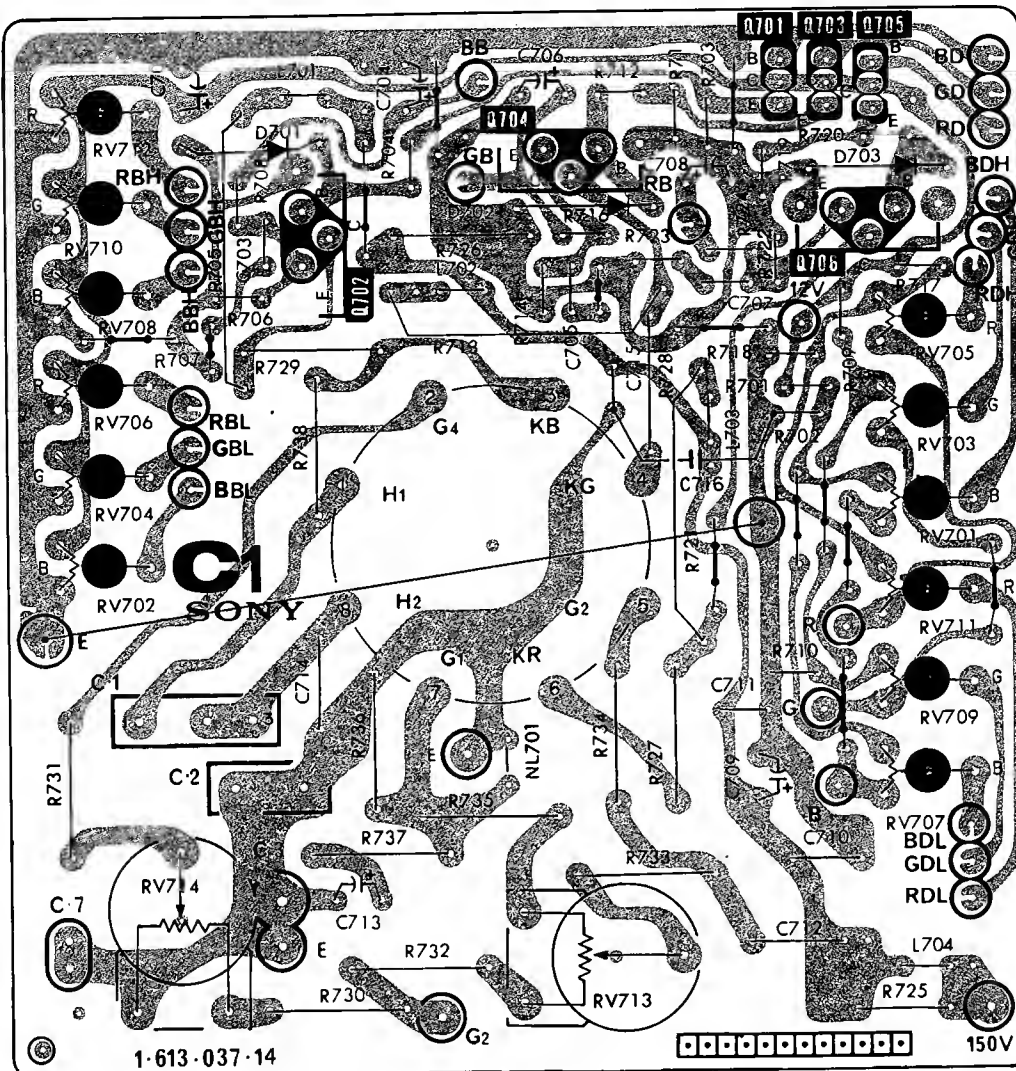
E

F

G

H

I



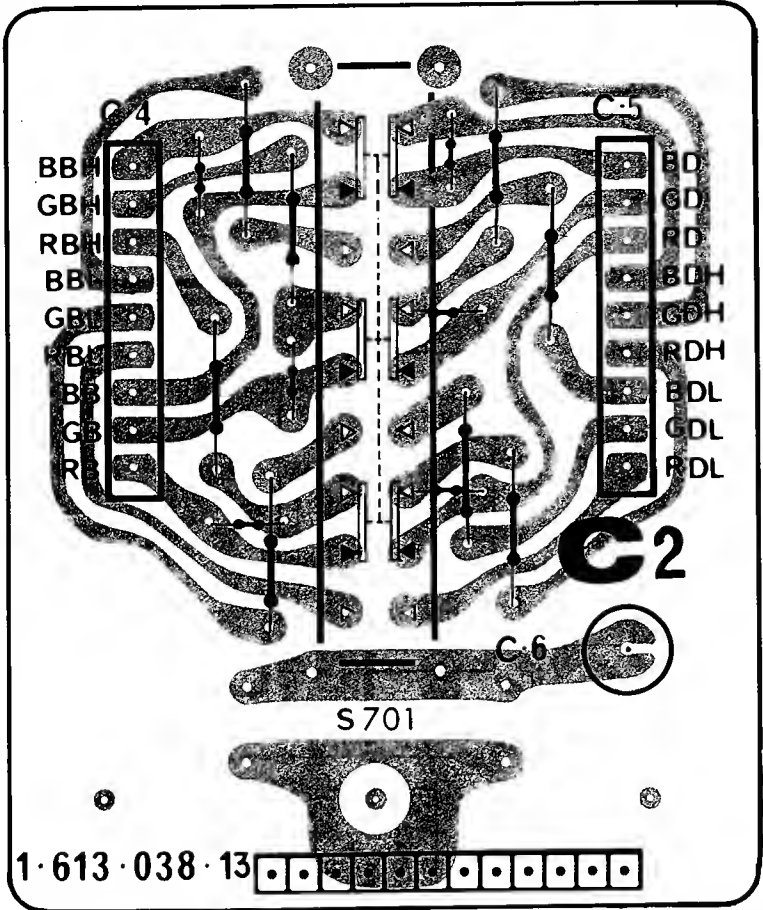
C2

[COLOR TEMPERATURE SELECT]

1 2 3 4 5 6 7

- C2 Board -

A  
B  
C  
D  
E  
F  
G  
H  
I



**F**

[POWER SUPPLY]

**F2**

[KICK]

1

2

3

4

5

6

7

- F Board -

A

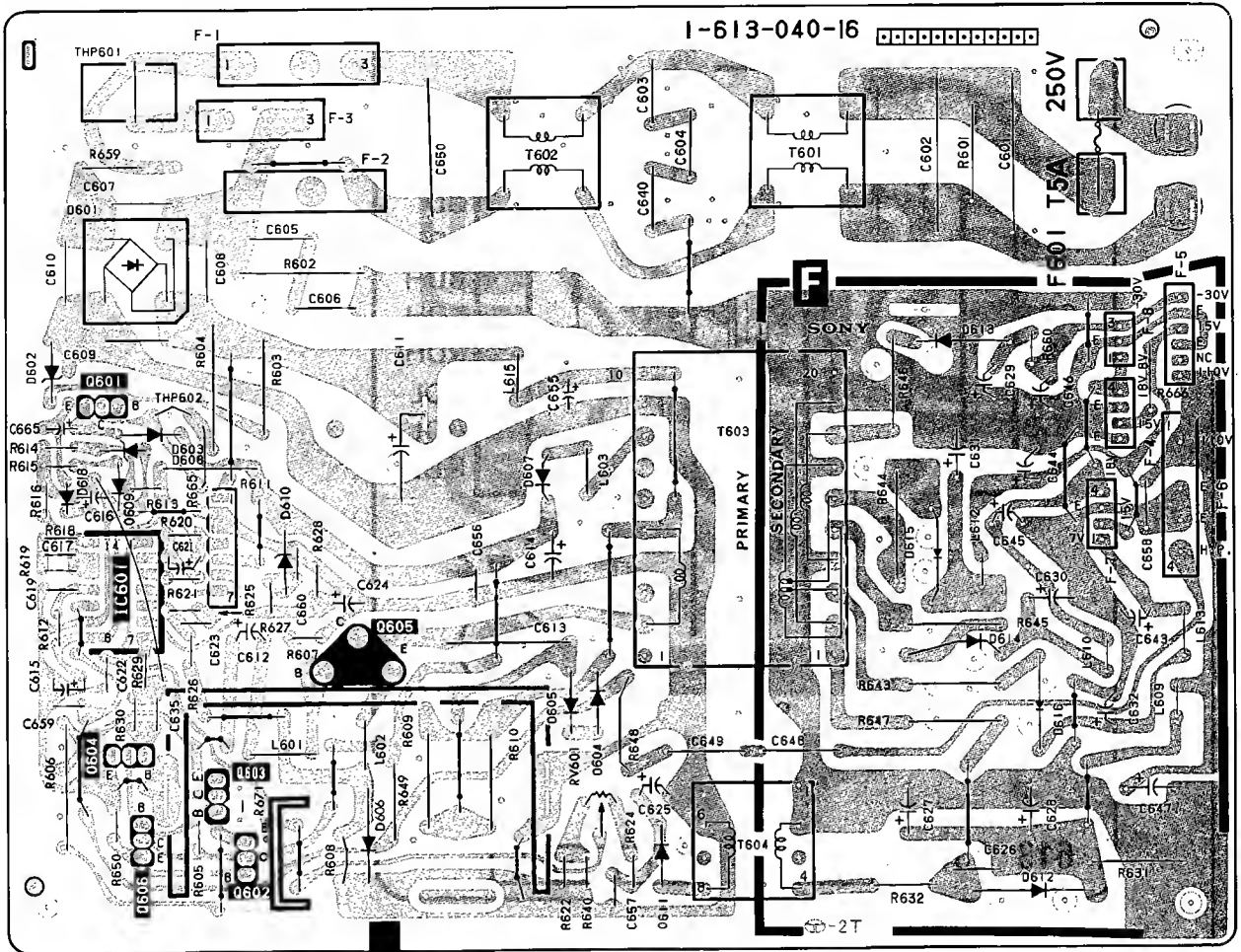
B

C

D

E

F

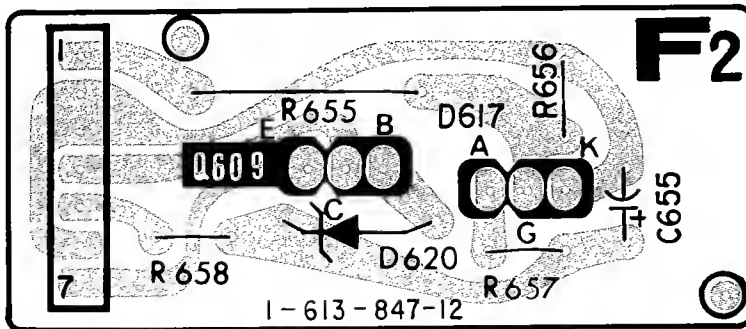


- F2 Board -

G

H

I





## SECTION 5 EXPLODED VIEWS

**NOTE:**

- Items with no part number and no description are not stocked because they are seldom required for routine service.
- The construction parts of an assembled part are indicated with a collation number in the remark column.

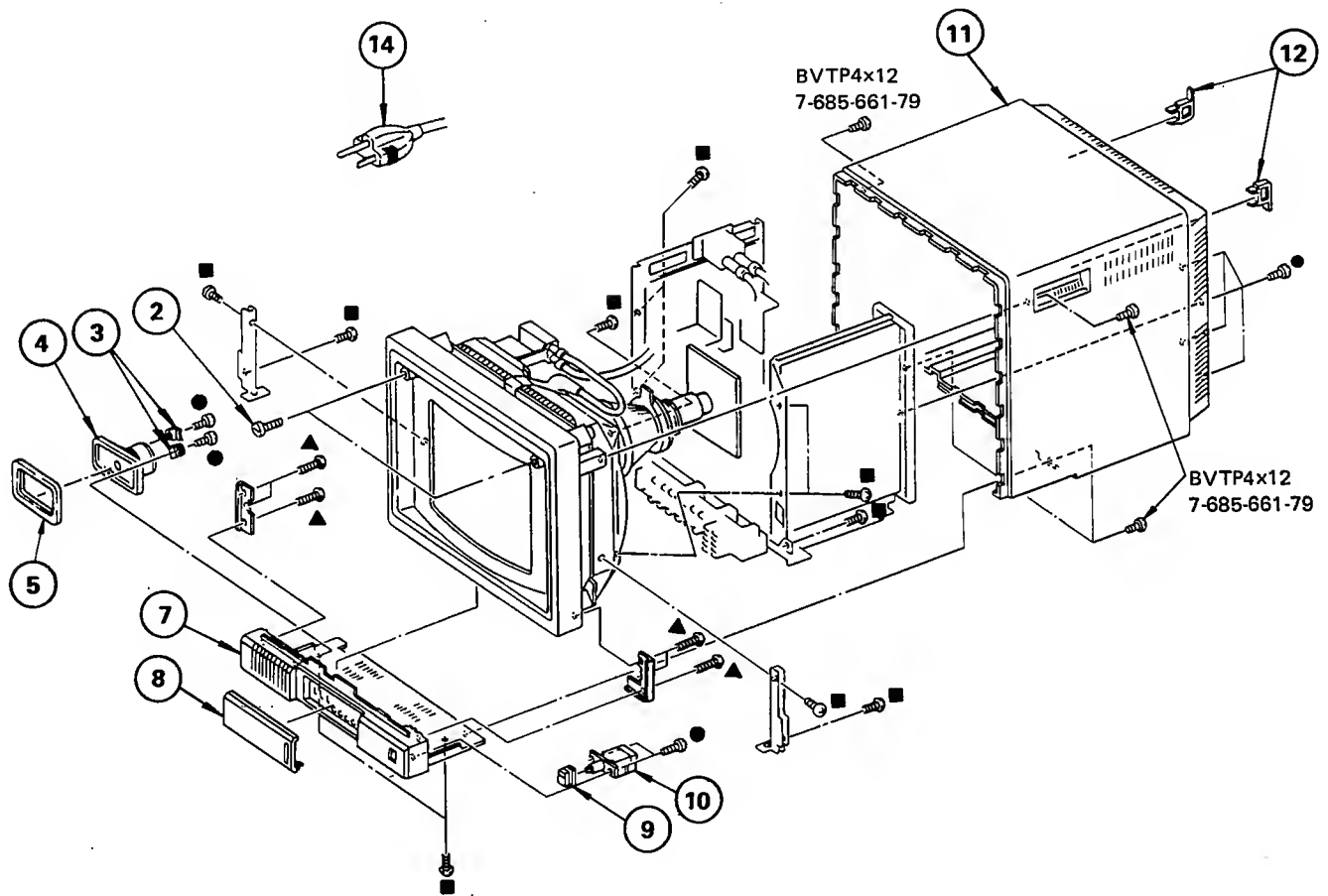
- Items marked " \* " are not stocked since they are seldom required for routine service. Some delay should be anticipated when ordering these items.

The components identified by shading and mark ▲ are critical for safety. Replace only with part number specified.

Les composants identifiés par une trame et une marque ▲ sont critiques pour la sécurité. Ne les remplacer que par une pièce portant le numéro spécifié.

### 5-1. CABINET

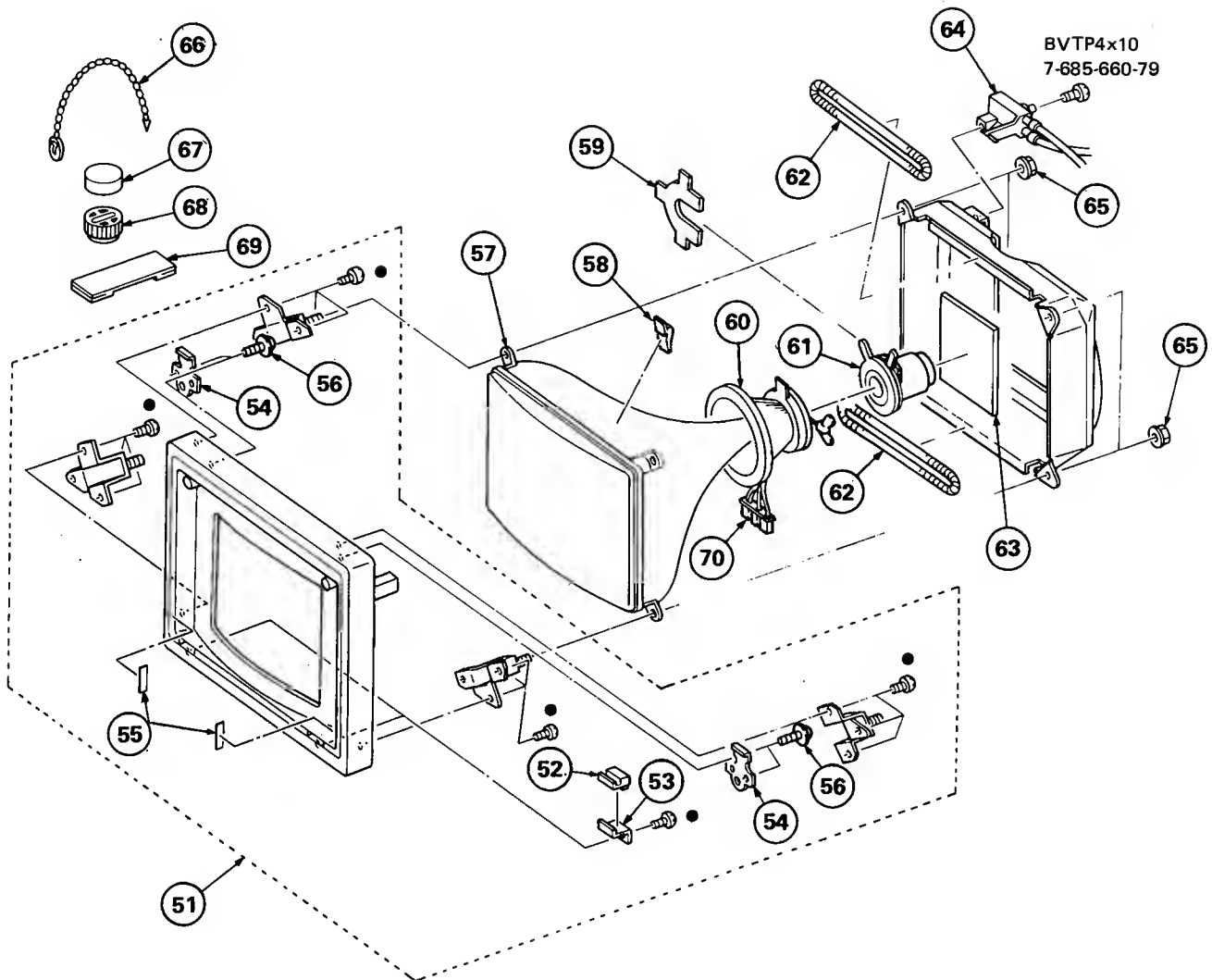
- : BVTP3x8 7-685-646-79
- : BVTP3x12 7-685-648-79
- ▲: BVTP4x12 7-685-661-14



No.	Part No.	Description	Remark	No.	Part No.	Description	Remark
2	4-336-851-51	SCREW, ORNAMENTAL		9	4-364-710-00	BUTTON, POWER	
3	*4-321-611-00	CLAW, RETAINING, SPEAKER		10	▲1-554-969-12	SWITCH, PUSH (AC POWER)(1 KEY)	
4	1-503-109-00	SPEAKER		11	X-4365-404-3	CABINET ASSY	
5	*4-364-741-00	CUSHION, SPEAKER		12	4-316-003-00	HOLDER, CORD	
7	X-4365-414-7	PANEL ASSY, CONTROL		14	▲1-534-517-31	CORO, AC	
8	X-4364-704-5	DOOR ASSY	8				

5-2. BEZEL

●: BVTP3x12 7-685-648-79



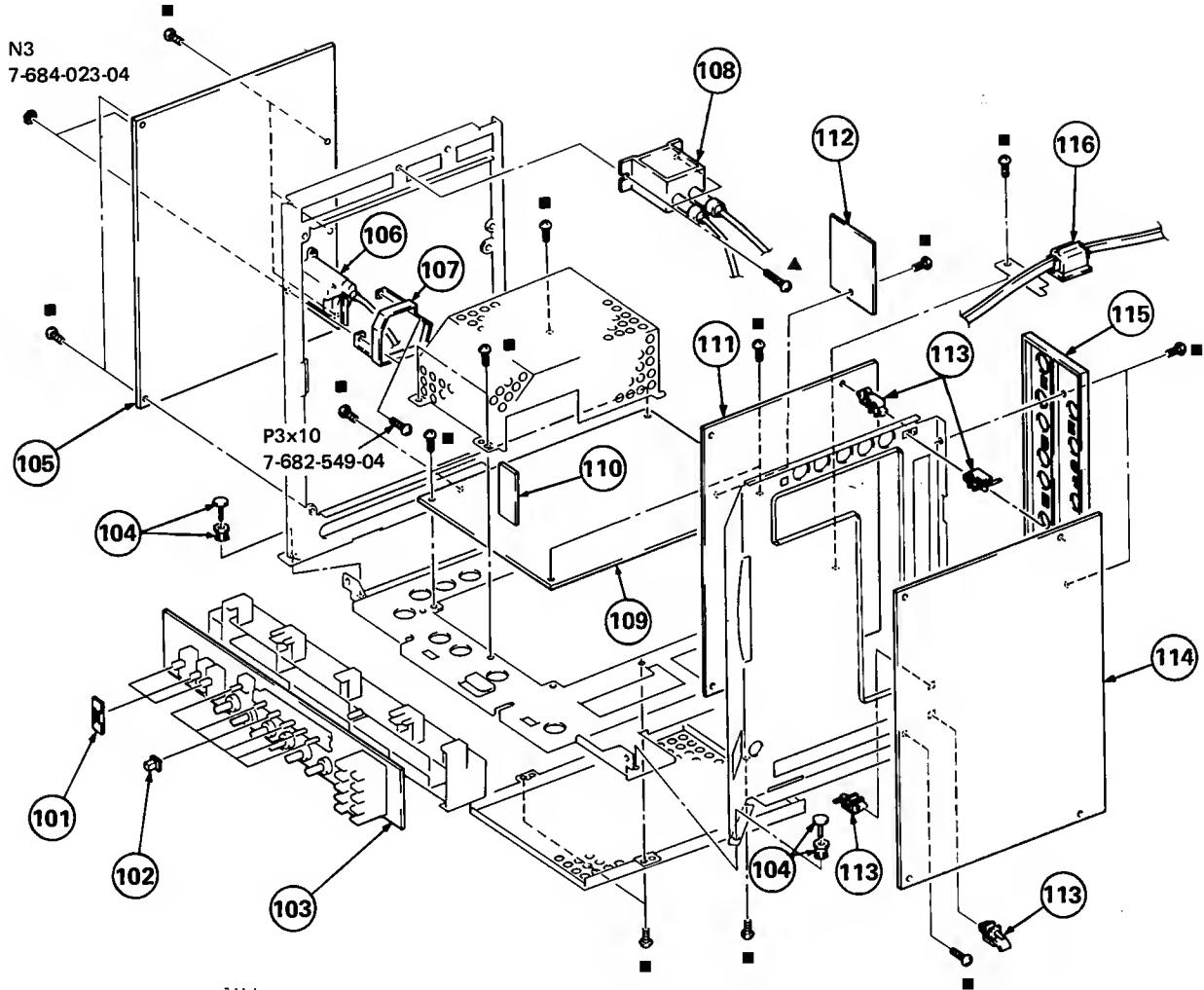
No.	Part No.	Description	Remark	No.	Part No.	Description	Remark
51	X-4364-702-3	BEZEL ASSY	52,53,54,55,56	61	▲1-452-214-12	CRT NECK ASSY (H TYPE)	
52	4-336-808-00	PROTECTOR, FILTER		62	▲1-426-086-41	COIL, DEGAUSSING	
53	4-364-701-00	HOLOER, FILTER		63	*A-1330-541-A	C1 BOARD, COMPLETE	
54	*4-341-905-00	NUT, PLATE (A)		64	▲1-228-482-14	RESISTOR ASSY, HIGH-VOLTAGE	
55	9-911-837-XX	CUSHION (B), FILTER		65	4-306-034-00	FLANGE NUT, (B) 5MM	
56	4-302-428-00	HEAD, WASHER, TAPPING SCREW		66	4-308-870-00	CLIP, LEAD WIRE	
57	▲8-738-312-05	PICTURE TUBE (330YB22)		67	1-452-032-00	MAGNET, OISK; 10MM Ø	
58	3-703-961-01	SPACER, DY		68	1-452-094-00	MAGNET, ROTATABLE OISK; 15MM Ø	
59	1-452-146-21	MAGNET, BMC		69	X-4308-815-0	PERMALLOY ASSY, CONVERGENCE	
60	▲1-451-239-12	DEFLECTION YOKE (SY-97A)		70	*1-556-528-11	CONNECTOR ASSY (MINI, DY) 6P	

The components identified by shading and mark ▲ are critical for safety. Replace only with part number specified.

Les composants identifiés par une trame et une marque ▲ sont critiques pour la sécurité. Ne les remplacer que par une pièce portant le numéro spécifié.

5-3. CHASSIS

- : BVTP3x8 7-685-646-79
- ▲: BVTP4x12 7-685-661-14



No.	Part No.	Description	Remark	No.	Part No.	Description	Remark
101	*4-337-419-00	INSULATOR (LARGE), SLIDE SWITCH		109	*A-1245-230-A	F BOARD, COMPLETE	110
102	4-369-627-01	PUSH BUTTON		110	*1-613-847-11	F2 BOARD	
103	*1-613-041-11	H BOARD		111	*A-1275-055-A	Q BOARD, COMPLETE	
104	3-646-090-00	RIVET, NYLON		112	*1-613-038-11	C2 BOARD	
105	*A-1345-472-A	O BOARD, COMPLETE		113	*3-703-141-00	HOLDER, PCB	
106	▲ 1-439-308-12	TRANSFORMER ASSY, FLYBACK		114	*A-1135-253-A	B BOARD, COMPLETE	
107	*4-364-749-00	PLATE, SHIELD, F.B.T		115	4-365-421-01	PANEL (C), CONNECTOR	
108	▲ 1-162-142-21	CAP BLOCK, HIGH VOLTAGE		116	▲ 4-364-726-01	BUSHING, AC CORD	

The components identified by shading and mark ▲ are critical for safety. Replace only with part number specified.

Les composants identifiés par une trame et une marque ▲ sont critiques pour la sécurité. Ne les remplacer que par une pièce portant le numéro spécifié.

**B**

**SECTION 6  
ELECTRICAL PARTS LIST**

NOTE:

The components identified by shading and mark **▲** are critical for safety. Replace only with part number specified.

Les composants identifiés par une trame et une marque **▲** sont critiques pour la sécurité. Ne les remplacer que par une pièce portant le numéro spécifié.

• Items marked " \* " are not stocked since they are seldom required for routine service. Some delay should be anticipated when ordering these items.

When indicating parts by reference number, please include the board name.

• All variable and adjustable resistors have characteristic curve B, unless otherwise noted.

CAPACITORS  
• MF :  $\mu$ F, PF :  $\mu$ μF

COILS  
• MMH : mH, UH :  $\mu$ H

RESISTORS

• All resistors are in ohms  
• F : nonflammable

• The components identified by **■** in this manual have been carefully factory-selected for each set in order to satisfy regulations regarding X-ray radiation. Should replacement be required, replace only with the value originally used.

Ref.No.	Part No.	Description	Remark	Ref.No.	Part No.	Description	Remark
*A-1135-253-A	B BOARD, COMPLETE	*****		C112	1-102-971-00	CERAMIC 82PF	5% 50V
*3-538-178-00	HEAT SINK			C113	1-102-978-00	CERAMIC 220PF	5% 50V
*4-364-755-01	TAPE, SHIELD			C114	1-123-332-00	ELECT 47MF	20% 16V
<b>CONNECTOR</b>				C115	1-123-356-00	ELECT 10MF	20% 16V
81	*1-560-124-00	PLUG, CONNECTOR (2.5MM PITCH)		C117	1-123-356-00	ELECT 10MF	20% 25V
82	*1-560-224-00	PLUG, CONNECTOR (2.5MM) 10P		C119	1-102-944-00	CERAMIC 7PF	0.5PF 50V
83	*1-560-124-00	PLUG, CONNECTOR (2.5MM) 4P		C120	1-102-944-00	CERAMIC 7PF	0.5PF 50V
84	*1-560-128-00	PLUG, CONNECTOR (2.5MM PITCH)		C121	1-102-944-00	CERAMIC 7PF	0.5PF 50V
85	*1-560-156-00	PLUG, CONNECTOR (2.5MM PITCH)		C122	1-102-944-00	CERAMIC 7PF	0.5PF 50V
86	*1-560-290-00	PLUG, CONNECTOR (2.5MM PITCH)		C123	1-123-380-00	ELECT 1MF	20% 50V
87	*1-560-124-00	PLUG, CONNECTOR (2.5MM) 4P		C124	1-123-356-00	ELECT 10MF	20% 25V
88	*1-560-124-00	PLUG, CONNECTOR (2.5MM) 4P		C127	1-101-004-00	CERAMIC 0.01MF	50V
<b>CAPACITOR</b>				C128	1-123-380-00	ELECT 1MF	20% 50V
C003	1-123-356-00	ELECT 10MF	20% 25V	C129	1-123-356-00	ELECT 10MF	20% 25V
C004	1-123-356-00	ELECT 10MF	20% 25V	C130	1-123-380-00	ELECT 1MF	20% 50V
C005	1-123-356-00	ELECT 10MF	20% 25V	C131	1-106-220-00	MYLAR 0.1MF	10% 100V
C006	1-123-356-00	ELECT 10MF	20% 25V	C132	1-106-220-00	MYLAR 0.1MF	10% 100V
C007	1-123-356-00	ELECT 10MF	20% 25V	C133	1-123-332-00	ELECT 47MF	16V
C008	1-123-380-00	ELECT 1MF	20% 50V	C134	1-102-944-00	CERAMIC 7PF	0.5PF 50V
C009	1-106-383-00	MYLAR 0.047MF	10% 100V	C135	1-101-004-00	CERAMIC 0.01MF	50V
C010	1-123-356-00	ELECT 10MF	20% 25V	C136	1-101-880-00	CERAMIC 47PF	5% 50V
C011	1-123-356-00	ELECT 10MF	20% 25V	C137	1-102-959-00	CERAMIC 22PF	5% 50V
C012	1-123-356-00	ELECT 10MF	20% 25V	C138	1-101-004-00	CERAMIC 0.01MF	50V
C013	1-123-356-00	ELECT 10MF	20% 25V	C139	1-130-483-00	MYLAR 0.01MF	5% 50V
C014	1-123-380-00	ELECT 1MF	20% 50V	C140	1-123-381-00	ELECT 2.2MF	20% 50V
C015	1-106-383-00	MYLAR 0.047MF	10% 100V	C141	1-161-772-11	CERAMIC 0.1MF	10% 25V
C017	1-106-383-00	MYLAR 0.047MF	10% 100V	C142	1-161-772-11	CERAMIC 0.1MF	10% 25V
C018	1-123-380-00	ELECT 1MF	20% 50V	C143	1-101-880-00	CERAMIC 47PF	5% 50V
C019	1-123-356-00	ELECT 10MF	20% 25V	C144	1-101-880-00	CERAMIC 47PF	5% 50V
C020	1-123-356-00	ELECT 10MF	20% 25V	C145	1-102-934-00	CERAMIC 1PF	0.25PF 50V
C021	1-123-356-00	ELECT 10MF	20% 25V	C146	1-102-963-00	CERAMIC 33PF	5% 50V
C022	1-123-356-00	ELECT 10MF	20% 25V	C147	1-101-004-00	CERAMIC 0.01MF	50V
C023	1-123-356-00	ELECT 10MF	20% 25V	C148	1-123-356-00	ELECT 10MF	20% 25V
C024	1-123-356-00	ELECT 10MF	20% 25V	C149	1-101-004-00	CERAMIC 0.01MF	50V
C025	1-123-356-00	ELECT 10MF	20% 25V	C150	1-101-004-00	CERAMIC 0.01MF	50V
C026	1-123-332-00	ELECT 47MF	20% 25V	C151	1-101-004-00	CERAMIC 0.01MF	50V
C027	1-123-356-00	ELECT 10MF	20% 25V	C152	1-101-004-00	CERAMIC 0.01MF	50V
C100	1-101-361-00	CERAMIC 150PF	5% 50V	C153	1-106-375-12	MYLAR 0.022MF	10% 100V
C101	1-123-332-00	ELECT 47MF	20% 16V	C155	1-102-946-00	CERAMIC 9PF	0.5PF 50V
C102	1-123-332-00	ELECT 47MF	20% 25V	C156	1-123-330-00	ELECT 22MF	20% 25V
C103	1-102-961-00	CERAMIC 27PF	5% 50V	C157	1-123-380-00	ELECT 1MF	20% 50V
C104	1-102-973-00	CERAMIC 100PF	5% 50V	C158	1-123-382-00	ELECT 3.3MF	20% 50V
C105	1-123-356-00	ELECT 10MF	20% 16V	C159	1-124-049-00	ELECT 0.47MF	20% 50V
C106	1-123-356-00	ELECT 10MF	20% 25V	C160	1-102-115-00	CERAMIC 560PF	10% 50V
C107	1-102-978-00	CERAMIC 220PF	5% 50V	C161	1-102-971-00	CERAMIC 82PF	5% 50V
C108	1-123-356-00	ELECT 10MF	20% 16V	C162	1-101-361-00	CERAMIC 150PF	5% 50V
C109	1-102-959-00	CERAMIC 22PF	5% 50V	C163	1-102-971-00	CERAMIC 82PF	5% 50V
C110	1-102-961-00	CERAMIC 27PF	5% 50V	C164	1-121-257-00	ELECT 4.7MF	16V
C111	1-101-888-00	CERAMIC 68PF	5% 50V	C165	1-101-361-00	CERAMIC 150PF	5% 50V
				C166	1-101-888-00	CERAMIC 68PF	5% 50V
				C167	1-101-006-00	CERAMIC 0.047MF	50V
				C169	1-106-220-00	MYLAR 0.1MF	10% 100V
				C170	1-123-380-00	ELECT 1MF	20% 50V



B

Ref.No.	Part No.	Description	Remark	Ref.No.	Part No.	Description	Remark
<u>FUSE</u>							
F201	1-532-624-11	FUSE, GLASS TUBE 0.5A/125V		Q104	8-729-178-54	TRANSISTOR 2SC2785	
<u>IC</u>							
IC001	8-759-171-12	IC UPC7812H		Q105	8-729-178-54	TRANSISTOR 2SC2785	
IC101	8-752-006-10	IC CX20061		Q106	8-729-178-54	TRANSISTOR 2SC2785	
IC102	8-752-006-10	IC CX20061		Q107	8-729-178-54	TRANSISTOR 2SC2785	
IC103	8-759-113-65	IC UPCL365C		Q108	8-729-178-54	TRANSISTOR 2SC2785	
IC104	8-759-140-24	IC UPO4024BC		Q109	8-729-117-54	TRANSISTOR 2SA1175	
IC105	8-759-240-23	IC TC4023BP		Q110	8-729-178-54	TRANSISTOR 2SC2785	
IC201	8-759-100-15	IC UPCL364C2		Q111	8-729-178-54	TRANSISTOR 2SC2785	
IC202	8-759-101-77	IC UPCL241H		Q114	8-729-313-42	TRANSISTOR 2S01134	
IC203	8-759-610-95	IC CX095E		Q116	8-729-117-54	TRANSISTOR 2SA1175	
<u>TERMINAL BOARD</u>							
J2	1-536-842-11	TERMINAL BOARD, INPUT/OUTPUT(A)		Q117	8-729-178-54	TRANSISTOR 2SC2785	
<u>COIL</u>							
L101	1-408-412-00	INDUCTOR	18UH	Q118	8-729-178-54	TRANSISTOR 2SC2785	
L102	1-408-412-00	INDUCTOR	18UH	Q120	8-729-178-54	TRANSISTOR 2SC2785	
L103	1-408-411-00	INDUCTOR	15UH	Q121	8-729-117-54	TRANSISTOR 2SA1175	
L104	1-408-414-00	INDUCTOR	27UH	Q122	8-729-178-54	TRANSISTOR 2SC2785	
L105	1-408-414-00	INDUCTOR	27UH	Q123	8-729-178-54	TRANSISTOR 2SC2785	
L106	1-408-409-00	INDUCTOR	10UH	Q124	8-729-115-10	TRANSISTOR 2SK105A-10	
L107	1-408-413-00	INDUCTOR	22UH	Q125	8-729-178-54	TRANSISTOR 2SC2785	
L108	1-408-416-00	INDUCTOR	39UH	Q126	8-729-115-10	TRANSISTOR 2SK105A-10	
L110	1-408-412-00	INDUCTOR	18UH	Q127	8-729-115-10	TRANSISTOR 2SK105A-10	
L111	1-408-406-00	INDUCTOR	5.6UH	Q128	8-729-115-10	TRANSISTOR 2SK105A-10	
L112	1-408-602-21	INDUCTOR	8.2UH	Q129	8-729-178-54	TRANSISTOR 2SC2785	
L113	1-408-226-00	INDUCTOR	82UH	Q130	8-729-178-54	TRANSISTOR 2SC2785	
L114	1-408-419-00	INDUCTOR	68UH	Q131	8-729-115-10	TRANSISTOR 2SK105A-10	
L201	1-408-247-00	INDUCTOR	33MMH	Q132	8-729-115-10	TRANSISTOR 2SK105A-10	
L202	1-408-163-00	INDUCTOR	5.6MMH	Q133	8-729-178-54	TRANSISTOR 2SC2785	
L203	1-408-414-00	INDUCTOR	27UH	Q135	8-729-117-54	TRANSISTOR 2SA1175	
<u>TRANSISTOR</u>							
Q001	8-729-178-54	TRANSISTOR	2SC2785	Q136	8-729-117-54	TRANSISTOR 2SA1175	
Q002	8-729-117-54	TRANSISTOR	2SA1175	Q137	8-729-117-54	TRANSISTOR 2SA1175	
Q003	8-729-117-54	TRANSISTOR	2SA1175	Q138	8-729-117-54	TRANSISTOR 2SA1175	
Q004	8-729-117-54	TRANSISTOR	2SA1175	Q139	8-729-178-54	TRANSISTOR 2SC2785	
Q005	8-729-178-54	TRANSISTOR	2SC2785	Q140	8-729-117-54	TRANSISTOR 2SA1175	
Q006	8-729-117-54	TRANSISTOR	2SA1175	Q141	8-729-117-54	TRANSISTOR 2SA1175	
Q007	8-729-117-54	TRANSISTOR	2SA1175	Q142	8-729-117-54	TRANSISTOR 2SA1175	
Q008	8-729-178-54	TRANSISTOR	2SC2785	Q143	8-729-117-54	TRANSISTOR 2SA1175	
Q009	8-729-117-54	TRANSISTOR	2SA1175	Q144	8-729-178-54	TRANSISTOR 2SC2785	
Q010	8-729-178-54	TRANSISTOR	2SC2785	Q145	8-729-178-54	TRANSISTOR 2SC2785	
Q011	8-729-178-54	TRANSISTOR	2SC2785	Q148	8-729-178-54	TRANSISTOR 2SC2785	
Q012	8-729-117-54	TRANSISTOR	2SA1175	Q149	8-729-117-54	TRANSISTOR 2SA1175	
Q101	8-729-178-54	TRANSISTOR	2SC2785	Q150	8-729-117-54	TRANSISTOR 2SA1175	
Q102	8-729-178-54	TRANSISTOR	2SC2785	Q151	8-729-178-54	TRANSISTOR 2SC2785	
Q103	8-729-178-54	TRANSISTOR	2SC2785	Q152	8-729-178-54	TRANSISTOR 2SC2785	
				Q153	8-729-178-54	TRANSISTOR 2SC2785	
				Q154	8-729-178-54	TRANSISTOR 2SC2785	
				Q155	8-729-178-54	TRANSISTOR 2SC2785	
				Q159	8-729-117-54	TRANSISTOR 2SA1175	
<u>RESISTOR</u>							
				R002	1-247-713-11	CARBON	1K 5% 1/4W
				R003	1-249-434-11	CARBON	27K 5% 1/4W
				R004	1-249-424-11	CARBON	3.9K 5% 1/4W
				R005	1-249-421-11	CARBON	2.2K 5% 1/4W
				R006	1-249-439-11	CARBON	68K 5% 1/4W

The components identified by shading and mark **A** are critical for safety. Replace only with part number specified.

Les composants identifiés par une trame et une marque **A** sont critiques pour la sécurité. Ne les remplacer que par une pièce portant le numéro spécifié.

B

Ref.No.	Part No.	Description	Remark	Ref.No.	Part No.	Description	Remark
R007	1-249-433-11	CARBON	22K 5% 1/4W	R105	1-249-415-11	CARBON	680 5% 1/4W
R009	1-215-440-00	CARBON	6.2K 5% 1/4W	R106	1-249-423-11	CARBON	3.3K 5% 1/4W
R010	1-215-440-00	CARBON	6.2K 5% 1/4W	R107	1-249-426-11	CARBON	5.6K 5% 1/4W
R011	1-215-440-00	CARBON	6.2K 5% 1/4W	R108	1-249-429-11	CARBON	10K 5% 1/4W
R012	1-249-437-11	CARBON	47K 5% 1/4W	R109	1-249-413-11	CARBON	470 5% 1/4W
R013	1-249-440-11	CARBON	82K 5% 1/4W	R110	1-249-413-11	CARBON	470 5% 1/4W
R014	1-247-885-00	CARBON	180K 5% 1/4W	R111	1-249-421-11	CARBON	2.2K 5% 1/4W
R015	1-249-438-11	CARBON	56K 5% 1/4W	R112	1-249-415-11	CARBON	680 5% 1/4W
R016	1-249-417-11	CARBON	1K 5% 1/4W	R113	1-249-410-11	CARBON	270 5% 1/4W
R017	1-247-104-00	CARBON	75 5% 1/4W	R114	1-249-415-11	CARBON	680 5% 1/4W
R019	1-247-104-00	CARBON	75 5% 1/4W	R115	1-249-419-11	CARBON	1.5K 5% 1/4W
R020	1-249-434-11	CARBON	27K 5% 1/4W	R116	1-249-403-11	CARBON	68 5% 1/4W
R021	1-249-424-11	CARBON	3.9K 5% 1/4W	R117	1-249-415-11	CARBON	680 5% 1/4W
R022	1-249-433-11	CARBON	22K 5% 1/4W	R118	1-249-415-11	CARBON	680 5% 1/4W
R023	1-249-439-11	CARBON	68K 5% 1/4W	R119	1-249-405-11	CARBON	100 5% 1/4W
R024	1-215-440-00	CARBON	6.2K 5% 1/4W	R120	1-249-415-11	CARBON	680 5% 1/4W
R025	1-249-437-11	CARBON	47K 5% 1/4W	R121	1-249-415-11	CARBON	680 5% 1/4W
R026	1-249-466-11	CARBON	56K 5% 1/4W	R122	1-249-405-11	CARBON	100 5% 1/4W
R027	1-249-440-11	CARBON	82K 5% 1/4W	R123	1-249-417-11	CARBON	1K 5% 1/4W
R028	1-247-885-00	CARBON	180K 5% 1/4W	R124	1-249-413-11	CARBON	470 5% 1/4W
R029	1-249-429-11	CARBON	10K 5% 1/4W	R125	1-249-417-11	CARBON	1K 5% 1/4W
R030	1-247-885-00	CARBON	180K 5% 1/4W	R126	1-249-405-11	CARBON	100 5% 1/4W
R031	1-249-440-11	CARBON	82K 5% 1/4W	R127	1-249-415-11	CARBON	680 5% 1/4W
R032	1-249-437-11	CARBON	47K 5% 1/4W	R128	1-247-814-00	CARBON	200 5% 1/4W
R033	1-249-433-11	CARBON	22K 5% 1/4W	R129	1-249-419-11	CARBON	1.5K 5% 1/4W
R034	1-249-439-11	CARBON	68K 5% 1/4W	R130	1-249-415-11	CARBON	680 5% 1/4W
R035	1-249-417-11	CARBON	1K 5% 1/4W	R131	1-249-413-11	CARBON	470 5% 1/4W
R036	1-247-104-00	CARBON	75 5% 1/4W	R132	1-249-420-11	CARBON	1.8K 5% 1/4W
R037	1-249-434-11	CARBON	27K 5% 1/4W	R133	1-249-401-11	CARBON	47 5% 1/4W
R038	1-249-424-11	CARBON	3.9K 5% 1/4W	R135	1-215-406-00	CARBON	240 5% 1/4W
R039	1-215-440-00	CARBON	6.2K 5% 1/4W	R136	1-249-421-11	CARBON	2.2K 5% 1/4W
R040	1-249-439-11	CARBON	68K 5% 1/4W	R137	1-249-432-11	CARBON	18K 5% 1/4W
R041	1-247-104-00	CARBON	75 5% 1/4W	R138	1-249-423-11	CARBON	3.3K 5% 1/4W
R042	1-249-434-11	CARBON	27K 5% 1/4W	R140	1-249-433-11	CARBON	22K 5% 1/4W
R043	1-215-468-00	CARBON	91K 5% 1/4W	R141	1-249-433-11	CARBON	22K 5% 1/4W
R045	1-249-429-11	CARBON	10K 5% 1/4W	R143	1-249-405-11	CARBON	100 5% 1/4W
R046	1-249-428-11	CARBON	8.2K 5% 1/4W	R146	1-249-403-11	CARBON	68 5% 1/4W
R049	1-249-438-11	CARBON	56K 5% 1/4W	R147	1-249-419-11	CARBON	1.5K 5% 1/4W
R051	1-249-421-11	CARBON	2.2K 5% 1/4W	R148	1-249-419-11	CARBON	1.5K 5% 1/4W
R052	1-247-807-31	CARBON	100 5% 1/4W	R149	1-249-433-11	CARBON	22K 5% 1/4W
R053	1-249-437-11	CARBON	47K 5% 1/4W	R150	1-249-416-11	CARBON	820 5% 1/4W
R054	1-249-437-11	CARBON	47K 5% 1/4W	R151	1-249-413-11	CARBON	470 5% 1/4W
R055	1-249-440-11	CARBON	82K 5% 1/4W	R152	1-249-416-11	CARBON	820 5% 1/4W
R056	1-247-150-00	CARBON	6.2K 5% 1/4W	R153	1-249-423-11	CARBON	3.3K 5% 1/4W
R061	1-247-744-11	CARBON	270 5% 1/2W	R154	1-249-433-11	CARBON	22K 5% 1/4W
R062	1-247-714-11	CARBON	1.2K 5% 1/4W	R155	1-249-429-11	CARBON	10K 5% 1/4W
R063	1-249-397-11	CARBON	22 5% 1/4W	R156	1-249-435-11	CARBON	33K 5% 1/4W
R066	1-249-429-11	CARBON	10K 5% 1/4W	R157	1-249-435-11	CARBON	33K 5% 1/4W
R100	1-249-428-11	CARBON	8.2K 5% 1/4W	R158	1-249-439-11	CARBON	68K 5% 1/4W
R101	1-249-436-11	CARBON	39K 5% 1/4W	R159	1-249-415-11	CARBON	680 5% 1/4W
R102	1-247-815-31	CARBON	220 5% 1/4W	R160	1-249-436-11	CARBON	39K 5% 1/4W
R103	1-249-418-11	CARBON	1.2K 5% 1/4W	R161	1-249-429-11	CARBON	10K 5% 1/4W
R104	1-249-411-11	CARBON	330 5% 1/4W	R162	1-249-437-11	CARBON	47K 5% 1/4W

The components identified by shading and mark **A** are critical for safety. Replace only with part number specified.

Les composants identifiés par une trame et une marque **A** sont critiques pour la sécurité. Ne les remplacer que par une pièce portant le numéro spécifié.

**B**

Ref.No.	Part No.	Description	Remark	Ref.No.	Part No.	Description	Remark
R165	1-215-493-00	CARBON	1M 5% 1/4W	R223	1-249-426-11	CARBON	5.6K 5% 1/4W
R167	1-249-419-11	CARBON	1.5K 5% 1/4W	R224	1-247-891-00	CARBON	330K 5% 1/4W
R168	1-249-435-11	CARBON	33K 5% 1/4W	R225	1-249-441-11	CARBON	100K 5% 1/4W
R170	1-249-431-11	CARBON	15K 5% 1/4W	R226	1-215-468-00	CARBON	91K 5% 1/4W
R171	1-249-441-11	CARBON	100K 5% 1/4W	R228	1-249-419-11	CARBON	1.5K 5% 1/4W
R173	1-249-425-11	CARBON	4.7K 5% 1/4W	R230	1-249-425-11	CARBON	4.7K 5% 1/4W
R176	1-247-887-00	CARBON	220K 5% 1/4W	R231	1-249-438-11	CARBON	56K 5% 1/4W
R177	1-249-441-11	CARBON	100K 5% 1/4W	R232	1-249-412-11	CARBON	390 5% 1/4W
R178	1-247-883-00	CARBON	150K 5% 1/4W	R233	1-249-409-11	CARBON	220 5% 1/4W
R179	1-249-439-11	CARBON	68K 5% 1/4W	R234	1-249-409-11	CARBON	220 5% 1/4W
R180	1-249-417-11	CARBON	1K 5% 1/4W	R235	1-249-413-11	CARBON	470 5% 1/4W
R181	1-249-429-11	CARBON	10K 5% 1/4W	R236	1-249-405-11	CARBON	100 5% 1/4W
R182	1-249-437-11	CARBON	47K 5% 1/4W	R237	1-249-409-11	CARBON	220 5% 1/4W
R183	1-249-423-11	CARBON	3.3K 5% 1/4W	R238	1-249-435-11	CARBON	33K 5% 1/4W
R184	1-249-418-11	CARBON	1.2K 5% 1/4W	R239	1-249-440-11	CARBON	82K 5% 1/4W
R185	1-249-440-11	CARBON	82K 5% 1/4W	R240	1-249-422-11	CARBON	2.7K 5% 1/4W
R186	1-249-413-11	CARBON	470 5% 1/4W	R241	1-249-433-11	CARBON	22K 5% 1/4W
R187	1-249-434-11	CARBON	27K 5% 1/4W	R242	1-215-444-00	CARBON	9.1K 5% 1/4W
R188	1-249-435-11	CARBON	33K 5% 1/4W	R243	1-249-430-11	CARBON	12K 5% 1/4W
R189	1-249-439-11	CARBON	68K 5% 1/4W	R244	1-249-423-11	CARBON	3.3K 5% 1/4W
R190	1-249-435-11	CARBON	33K 5% 1/4W	R245	1-249-426-11	CARBON	5.6K 5% 1/4W
R191	1-249-437-11	CARBON	47K 5% 1/4W	R246	1-249-429-11	CARBON	10K 5% 1/4W
R192	1-249-421-11	CARBON	2.2K 5% 1/4W	R247	1-249-431-11	CARBON	15K 5% 1/4W
R193	1-249-424-11	CARBON	3.9K 5% 1/4W	R248	1-249-421-11	CARBON	2.2K 5% 1/4W
R194	1-249-431-11	CARBON	15K 5% 1/4W	R249	1-249-437-11	CARBON	47K 5% 1/4W
R195	1-249-421-11	CARBON	2.2K 5% 1/4W	R250	1-247-885-00	CARBON	180K 5% 1/4W
R196	1-249-434-11	CARBON	27K 5% 1/4W	R251	1-249-426-11	CARBON	5.6K 5% 1/4W
R197	1-249-415-11	CARBON	680 5% 1/4W	R252	1-249-428-11	CARBON	8.2K 5% 1/4W
R198	1-249-415-11	CARBON	680 5% 1/4W	R253	1-249-423-11	CARBON	3.3K 5% 1/4W
R199	1-249-417-11	CARBON	1K 5% 1/4W	R254	1-249-429-11	CARBON	10K 5% 1/4W
R200	1-249-433-11	CARBON	22K 5% 1/4W	R255	1-249-417-11	CARBON	1K 5% 1/4W
R201	1-215-493-00	CARBON	1M 5% 1/4W	R256	1-249-428-11	CARBON	8.2K 5% 1/4W
R202	1-215-493-00	CARBON	1M 5% 1/4W	R258	1-249-421-11	CARBON	2.2K 5% 1/4W
R203	1-249-429-11	CARBON	10K 5% 1/4W	R259	1-249-428-11	CARBON	8.2K 5% 1/4W
R204	1-249-429-11	CARBON	10K 5% 1/4W	R260	1-249-439-11	CARBON	68K 5% 1/4W
R205	1-249-429-11	CARBON	10K 5% 1/4W	R261	1-249-429-11	CARBON	10K 5% 1/4W
R206	1-249-439-11	CARBON	68K 5% 1/4W	R262	1-249-441-11	CARBON	100K 5% 1/4W
R207	1-249-409-11	CARBON	220 5% 1/4W	R263	1-249-429-11	CARBON	10K 5% 1/4W
R208	1-249-429-11	CARBON	10K 5% 1/4W	R264	1-249-439-11	CARBON	68K 5% 1/4W
R209	1-249-435-11	CARBON	33K 5% 1/4W	R265	1-249-429-11	CARBON	10K 5% 1/4W
R210	1-249-409-11	CARBON	220 5% 1/4W	R266	1-249-429-11	CARBON	10K 5% 1/4W
R211	1-249-409-11	CARBON	220 5% 1/4W	R267	1-249-439-11	CARBON	68K 5% 1/4W
R212	1-249-424-11	CARBON	3.9K 5% 1/4W	R268	1-249-439-11	CARBON	68K 5% 1/4W
R213	1-249-409-11	CARBON	220 5% 1/4W	R269	1-249-429-11	CARBON	10K 5% 1/4W
R214	1-249-409-11	CARBON	220 5% 1/4W	R270	1-249-415-11	CARBON	680 5% 1/4W
R215	1-249-425-11	CARBON	4.7K 5% 1/4W	R271	1-249-469-11	CARBON	100K 5% 1/4W
R216	1-249-441-11	CARBON	100K 5% 1/4W	R272	1-246-517-25	CARBON	68K 5% 1/4W
R217	1-249-441-11	CARBON	100K 5% 1/4W	R273	1-202-463-00	SOL ID	2.2M 5% 1/4W
R218	1-249-429-11	CARBON	10K 5% 1/4W	R274	1-249-465-11	CARBON	47K 5% 1/4W
R219	1-249-426-11	CARBON	5.6K 5% 1/4W	R275	1-249-429-11	CARBON	10K 5% 1/4W
R220	1-249-435-11	CARBON	33K 5% 1/4W	R276	1-249-431-11	CARBON	15K 5% 1/4W
R221	1-215-458-00	CARBON	36K 5% 1/4W	R277	1-249-416-11	CARBON	820 5% 1/4W
R222	1-249-439-11	CARBON	68K 5% 1/4W	R278	1-249-421-11	CARBON	2.2K 5% 1/4W





Ref.No.	Part No.	Description	Remark	Ref.No.	Part No.	Description	Remark
R279	1-246-509-25	CARBON	33K 5% 1/4W	RV105	1-226-852-00	RES, ADJ, CARBON 22K	
R280	1-249-437-11	CARBON	47K 5% 1/4W	RV106	1-226-849-00	RES, ADJ, CARBON 3.3K	
R281	1-249-431-11	CARBON	15K 5% 1/4W	RV107	1-228-724-00	RES, ADJ, CARBON 10K	
R282	1-249-421-11	CARBON	2.2K 5% 1/8W	RV108	1-226-850-00	RES, ADJ, CARBON 4.7K	
R283	1-249-425-11	CARBON	4.7K 5% 1/4W	RV109	1-226-850-00	RES, ADJ, CARBON 4.7K	
R284	1-249-428-11	CARBON	8.2K 5% 1/4W	RV110	1-226-846-00	RES, ADJ, CARBON 470	
R285	1-249-423-11	CARBON	3.3K 5% 1/4W	RV111	1-226-853-00	RES, ADJ, CARBON 47K	
R286	1-249-423-11	CARBON	3.3K 5% 1/4W	<u>SWITCH</u>			
R287	1-215-493-00	CARBON	1M 5% 1/4W	S1	1-553-725-00	SWITCH, SL IOE	
R288	1-249-441-11	CARBON	100K 5% 1/4W	S2	1-553-725-00	SWITCH, SL IOE	
R290	1-249-429-11	CARBON	10K 5% 1/4W	S3	1-553-725-00	SWITCH, SL IDE	
R291	1-249-429-11	CARBON	10K 5% 1/4W	<u>TRANSFORMER</u>			
R292	1-249-447-11	CARBON	1 5% 1/4W	T101	1-408-513-00	COIL (VARIABLE)	
R293	1-249-422-11	CARBON	2.7K 5% 1/4W	T102	1-409-193-00	COIL 3.58MHZ TRAP	
R294	1-249-405-11	CARBON	100 5% 1/4W	T103	1-409-193-00	COIL 3.58MHZ TRAP	
R295	1-249-429-11	CARBON	10K 5% 1/4W	T104	1-404-081-00	TRANSFORMER, DELAY ADJUST	
R296	1-249-469-11	CARBON	100K 5% 1/4W	T201	1-404-146-00	TRANSFORMER	
R297	1-249-437-11	CARBON	47K 5% 1/4W	T202	1-408-532-00	COIL, VARIABLE	
R298	1-249-437-11	CARBON	47K 5% 1/4W	T203	1-408-532-00	COIL, VARIABLE	
R299	1-249-413-11	CARBON	470 5% 1/4W	T204	1-408-513-00	COIL (VARIABLE)	
R301	1-247-658-11	CARBON	47 5% 1/4W	<u>THERMISTOR</u>			
R302	1-249-437-11	CARBON	47K 5% 1/4W	TH101	1-800-070-XX	THERMISTOR TH-4700	
R303	1-249-415-11	CARBON	680 5% 1/4W	TH201	1-800-626-00	THERMISTOR	
R304	1-249-415-11	CARBON	680 5% 1/4W	<u>CRYSTAL</u>			
R305	1-249-415-11	CARBON	680 5% 1/4W	X101	1-567-505-11	OSCILLATOR, CRYSTAL	
R306	1-247-883-00	CARBON	150K 5% 1/4W	X102	1-567-504-11	OSCILLATOR, CRYSTAL	
R307	1-249-411-11	CARBON	330 5% 1/4W	*****			
R308	1-249-434-11	CARBON	27K 5% 1/4W	*A-1245-230-A F 80ARO, COMPLETE			
R309	1-249-409-11	CARBON	220 5% 1/4W	*****			
R310	1-249-423-11	CARBON	3.3K 5% 1/4W	<u>CAPACITOR</u>			
R311	1-215-462-00	CARBON	51K 5% 1/4W	C601	1-108-745-52	MYLAR 0.22MF 20% 125V	
R312	1-249-421-11	CARBON	2.2K 5% 1/4W	C602	1-108-745-52	MYLAR 0.22MF 20% 125V	
R313	1-249-425-11	CARBON	4.7K 5% 1/4W	C603	1-161-953-51	CERAMIC 0.0047MF 20% 400V	
R314	1-249-435-11	CARBON	33K 5% 1/4W	C604	1-161-953-51	CERAMIC 0.0047MF 20% 400V	
R315	1-249-419-11	CARBON	1.5K 5% 1/4W	C605	1-161-953-51	CERAMIC 0.0047MF 20% 400V	
R316	1-249-419-11	CARBON	1.5K 5% 1/4W	C606	1-161-953-51	CERAMIC 0.0047MF 20% 400V	
R317	1-247-711-11	CARBON	680 5% 1/4W	C607	1-161-953-51	CERAMIC 0.0047MF 20% 400V	
R318	1-249-408-11	CARBON	180 5% 1/4W	C608	1-161-953-00	CERAMIC 0.0047MF 20% 400V	
R319	1-249-413-11	CARBON	470 5% 1/4W	C609	1-161-953-00	CERAMIC 0.0047MF 20% 400V	
R322	1-249-427-11	CARBON	6.8K 5% 1/4W	C610	1-161-953-51	CERAMIC 0.0047MF 20% 400V	
R324	1-247-711-11	CARBON	680 5% 1/4W	C611	1-125-260-00	ELECT(BLOCK) 470MF 200V	
R325	1-249-429-11	CARBON	10K 5% 1/4W	C612	1-123-335-00	ELECT 330MF 20% 25V	
R326	1-249-424-11	CARBON	3.9K 5% 1/4W	C613	1-136-071-00	FILM 0.0057MF 3% 2KV	
R328	1-249-420-11	CARBON	1.8K 5% 1/4W	C614	1-123-337-00	ELECT 1000MF 20% 25V	
R329	1-249-424-11	CARBON	3.9K 5% 1/4W	C615	1-123-333-00	ELECT 100MF 20% 16V	
R332	1-249-438-11	CARBON	56K 5% 1/4W	C616	1-123-381-00	ELECT 2.2MF 20% 50V	
R348	1-249-430-11	CARBON	12K 5% 1/4W	<u>VARIABLE RESISTOR</u>			
R349	1-249-429-11	CARBON	10K 5% 1/4W	RV101	1-226-845-00	RES, ADJ, CARBON 330	
				RV103	1-226-849-00	RES, ADJ, CARBON 3.3K	
				RV104	1-226-852-00	RES, ADJ, CARBON 22K	

The components identified by shading and mark **A** are critical for safety. Replace only with part number specified.

Les composants identifiés par une trame et une marque **A** sont critiques pour la sécurité. Ne les remplacer que par une pièce portant le numéro spécifié.

F

Ref.No.	Part No.	Description	Remark	Ref.No.	Part No.	Description	Remark
C617	1-102-125-00	CERAMIC	0.0047MF 10%	50V			
C619	1-106-351-00	MYLAR	0.0022MF 10%	100V			
C621	1-123-356-00	ELECT	10MF 20%	16V			
C622	1-102-121-00	CERAMIC	0.0022MF 10%	50V			
C623	1-101-004-00	CERAMIC	0.01MF	50V			
C624	1-123-381-00	ELECT	2.2MF 20%	50V			
C625	1-123-380-00	ELECT	1MF 20%	50V			
C626	1-102-095-00	CERAMIC	330PF 10%	1KV			
C627	1-123-024-00	ELECT	33MF	160V			
C628	1-123-024-00	ELECT	33MF	160V			
C629	1-123-360-00	ELECT	100MF 20%	50V			
C630	1-123-998-00	ELECT	470MF 20%	25V			
C631	1-123-998-00	ELECT	470MF 20%	25V			
C632	1-126-103-11	ELECT	470MF 20%	16V			
C635	1-102-123-00	CERAMIC	0.0033MF 10%	50V			
C640	△ 1-161-953-51	CERAMIC	0.0047MF 20%	400V			
C643	1-123-333-00	ELECT	100MF 20%	16V			
C644	1-123-334-00	ELECT	220MF 20%	25V			
C645	1-123-334-00	ELECT	220MF 20%	25V			
C646	1-123-359-00	ELECT	47MF 20%	50V			
C647	1-123-024-00	ELECT	33MF	160V			
C648	△ 1-161-742-12	CERAMIC	0.0022MF 20%	400V			
C649	△ 1-161-742-12	CERAMIC	0.0022MF 20%	400V			
C650	△ 1-108-745-52	MYLAR	0.22MF 20%	125V			
C655	1-123-027-00	ELECT	2.2MF	250V			
C656	1-101-004-00	CERAMIC	0.01MF	50V			
C657	1-101-004-00	CERAMIC	0.01MF	50V			
C658	1-106-383-00	MYLAR	0.047MF 10%	200V			
C659	1-102-820-00	CERAMIC	330PF 5%	50V			
C660	1-101-004-00	CERAMIC	0.01MF	50V			
C665	1-123-356-00	ELECT	10MF 20%	25V			
<b>DIODE</b>							
D601	8-719-503-06	DIODE S3W860Z					
D602	△ 8-719-100-77	DIODE RD18E-B2					
D603	8-719-911-55	DIODE U05G					
D604	△ 8-719-901-58	DIODE RGP15J					
D605	△ 8-719-901-58	DIODE RGP15J					
D606	△ 8-719-301-34	DIODE GM-3					
D607	8-719-300-76	DIODE RH1A					
D608	8-719-102-74	DIODE RD6.2E-N2					
D609	8-719-901-83	DIODE 1SS83					
D610	8-719-100-86	DIODE RD22E-B2					
D611	8-719-901-83	DIODE 1SS83					
D612	8-719-900-26	DIODE-ERD29-08J					
D613	8-719-918-77	DIODE V19G					
D614	8-719-918-77	DIODE V19G					
D615	8-719-981-00	DIODE ERC81-004					
D616	8-719-981-00	DIODE ERC81-004					
D618	8-719-911-19	DIODE 1SS119					
<b>CONNECTOR</b>							
F1	*1-506-348-XX	3P PLUG (L)					
F3	1-508-765-00	3P PLUG (M)					
F4	*1-560-290-00	PLUG, CONNECTOR (2.5MM PITCH)					
F6	1-508-766-00	4P PLUG (M)					
F7	*1-560-124-00	PLUG, CONNECTOR (2.5MM PITCH)					
F8	*1-560-123-00	PLUG, CONNECTOR (2.5MM) 3P					
<b>FUSE</b>							
F601	△ 1-532-656-11	FUSE, GLASS TUBE 6.3A/125V					
	1-533-087-00	HOLDER, FUSE; F601					
<b>IC</b>							
IC601	8-759-100-75	IC UPCL394C					
<b>COIL</b>							
L601	1-408-225-00	INDUCTOR 3.3UH					
L602	1-407-365-00	COIL, CHOKE (HIGH FREQUENCY)					
L603	1-407-687-00	INDUCTOR 3.3UH					
L609	1-459-155-00	COIL (WITH CORE) 45UH					
L610	1-459-155-00	COIL (WITH CORE) 45UH					
L612	1-459-155-00	COIL (WITH CORE) 45UH					
L613	1-407-687-00	INDUCTOR 3.3UH					
L615	1-407-364-00	COIL, SPOCK CHOKE 3.3UH					
<b>TRANSISTOR</b>							
Q601	8-729-168-82	TRANSISTOR 2SC2688					
Q602	△ 8-729-313-81	TRANSISTOR 2SD1138-B					
	*4-347-706-00	HEAT SINK (TR); Q602					
Q603	△ 8-729-374-01	TRANSISTOR 2SB740-2					
Q604	△ 8-729-177-43	TRANSISTOR 2SD774-4					
	4-363-414-00	SPACER, MICA; Q605					
Q605	△ 8-729-802-07	TRANSISTOR 2SD1403-CA					
	*4-367-204-00	HOLDER (REG OUT), TRANSFORMER; Q605					
Q606	△ 8-729-177-43	TRANSISTOR 2SD774-4					
<b>RESISTOR</b>							
R601	△ 1-202-727-51	SOLID 4.7M 10%	1/2W				
R602	△ 1-202-730-11	SOLID 8.2M 10%	1/2W				
R603	1-244-919-51	CARBON 82K 5%	1/2W				
R604	1-206-671-00	METAL OXIDE 2K 5%	2W F				
R605	1-249-425-11	CARBON 4.7K 5%	1/4W				
R606	△ 1-217-266-11	WIREWOUND 27 10%	3W F				
R607	△ 1-247-805-31	CARBON 82 5%	1/4W				
R608	1-217-189-21	WIREWOUND 0.12 10%	2W F				
R609	1-207-692-00	WIREWOUND 680 10%	5W F				
R610	1-207-692-00	WIREWOUND 680 10%	5W F				
R611	1-213-145-00	METAL OXIDE 1.5K 5%	1W F				
R612	1-215-460-00	CARBON 43K 5%	1/4W				
R613	1-249-411-11	CARBON 330 5%	1/4W				
R614	1-215-437-00	METAL 4.7K 1%	1/6W				
R615	1-215-437-00	METAL 4.7K 1%	1/6W				

The components identified by shading and mark △ are critical for safety. Replace only with part number specified.

Les composants identifiés par une trame et une marque △ sont critiques pour la sécurité. Ne les remplacer que par une pièce portant le numéro spécifié.





Q

Ref.No.	Part No.	Description	Remark	Ref.No.	Part No.	Description	Remark
Q416	8-729-178-54	TRANSISTOR 2SC2785		R371	1-249-423-11	CARBON 3.3K 5%	1/4W
Q417	8-729-178-54	TRANSISTOR 2SC2785		R372	1-247-719-11	CARBON 3.3K 5%	1/4W
Q418	8-729-117-54	TRANSISTOR 2SA1175		R373	1-246-537-00	CARBON 470K 5%	1/4W
Q419	8-729-178-54	TRANSISTOR 2SC2785		R374	1-249-437-11	CARBON 47K 5%	1/4W
Q420	8-729-178-54	TRANSISTOR 2SC2785		R377	1-249-424-11	CARBON 3.9K 5%	1/4W
Q421	<b>A</b> 8-729-101-37	TRANSISTOR 2SC2785TP-F		R378	1-249-429-11	CARBON 10K 5%	1/4W
Q422	8-729-178-54	TRANSISTOR 2SC2785		R379	1-247-711-11	CARBON 680 5%	1/4W
Q423	8-729-178-54	TRANSISTOR 2SC2785		R401	1-247-104-00	CARBON 75 5%	1/4W
Q424	8-729-117-54	TRANSISTOR 2SA1175		R402	1-247-713-11	CARBON 1K 5%	1/4W
Q425	8-729-178-54	TRANSISTOR 2SC2785		R403	1-215-468-00	CARBON 91K 5%	1/4W
Q426	8-729-178-54	TRANSISTOR 2SC2785		R404	1-249-418-11	CARBON 1.2K 5%	1/4W
Q429	8-729-178-54	TRANSISTOR 2SC2785		R405	1-249-434-11	CARBON 27K 5%	1/4W
Q430	8-729-117-54	TRANSISTOR 2SA1175		R406	1-249-428-11	CARBON 8.2K 5%	1/4W
Q431	8-729-178-54	TRANSISTOR 2SC2785		R407	1-249-416-11	CARBON 820 5%	1/4W
Q433	8-729-117-54	TRANSISTOR 2SA1175		R408	1-247-104-00	CARBON 75 5%	1/4W
Q434	8-729-117-54	TRANSISTOR 2SA1175		R409	1-247-713-11	CARBON 1K 5%	1/4W
Q435	8-729-117-54	TRANSISTOR 2SA1175		R410	1-215-468-00	CARBON 91K 5%	1/4W
Q442	8-729-178-54	TRANSISTOR 2SC2785		R411	1-249-418-11	CARBON 1.2K 5%	1/4W
Q443	8-729-178-54	TRANSISTOR 2SC2785		R412	1-249-434-11	CARBON 27K 5%	1/4W
Q444	8-729-178-54	TRANSISTOR 2SC2785		R413	1-249-428-11	CARBON 8.2K 5%	1/4W
Q445	8-729-117-54	TRANSISTOR 2SA1175		R414	1-249-416-11	CARBON 820 5%	1/4W
Q446	8-729-117-54	TRANSISTOR 2SA1175		R415	1-247-104-00	CARBON 75 5%	1/4W
Q447	8-729-178-54	TRANSISTOR 2SC2785		R416	1-247-713-11	CARBON 1K 5%	1/4W
Q448	8-729-117-54	TRANSISTOR 2SA1175		R417	1-215-468-00	CARBON 91K 5%	1/4W
Q449	8-729-178-54	TRANSISTOR 2SC2785		R418	1-249-418-11	CARBON 1.2K 5%	1/4W
Q450	8-729-117-54	TRANSISTOR 2SA1175		R419	1-249-434-11	CARBON 27K 5%	1/4W
Q451	8-729-178-54	TRANSISTOR 2SC2785		R420	1-249-428-11	CARBON 8.2K 5%	1/4W
Q452	8-729-117-54	TRANSISTOR 2SA1175		R421	1-249-416-11	CARBON 820 5%	1/4W
Q453	8-729-178-54	TRANSISTOR 2SC2785		R422	1-249-466-11	CARBON 56K 5%	1/4W
Q454	8-729-117-54	TRANSISTOR 2SA1175		R423	1-247-885-00	CARBON 180K 5%	1/4W
Q455	8-729-178-54	TRANSISTOR 2SC2785		R424	1-249-440-11	CARBON 82K 5%	1/4W
Q456	8-729-178-54	TRANSISTOR 2SC2785		R425	1-249-437-11	CARBON 47K 5%	1/4W
Q457	8-729-117-54	TRANSISTOR 2SA1175		R426	1-249-427-11	CARBON 6.8K 5%	1/4W
				R427	1-249-425-11	CARBON 4.7K 5%	1/4W
				R428	1-249-466-11	CARBON 56K 5%	1/4W
				R429	1-247-885-00	CARBON 180K 5%	1/4W
				R430	1-249-440-11	CARBON 82K 5%	1/4W
				R431	1-249-437-11	CARBON 47K 5%	1/4W
				R432	1-249-427-11	CARBON 6.8K 5%	1/4W
				R433	1-249-425-11	CARBON 4.7K 5%	1/4W
				R434	<b>A</b> 1-247-807-31	CARBON 100 5%	1/4W
				R435	1-249-441-11	CARBON 100K 5%	1/4W
				R436	1-246-445-00	CARBON 68 5%	1/4W
				R437	1-247-713-11	CARBON 1K 5%	1/4W
				R438	1-249-421-11	CARBON 2.2K 5%	1/4W
				R439	1-247-725-11	CARBON 10K 5%	1/4W
				R440	1-215-468-00	CARBON 91K 5%	1/4W
				R442	1-249-434-11	CARBON 27K 5%	1/4W
				R443	1-249-428-11	CARBON 8.2K 5%	1/4W
				R444	1-246-445-00	CARBON 68 5%	1/4W
				R445	1-247-713-11	CARBON 1K 5%	1/4W
				R446	1-249-421-11	CARBON 2.2K 5%	1/4W
				R447	1-247-725-11	CARBON 10K 5%	1/4W
R351	1-249-429-11	CARBON	10K 5%	1/4W			
R352	1-249-409-11	CARBON	220 5%	1/4W			
R353	1-249-429-11	CARBON	10K 5%	1/4W			
R354	1-249-409-11	CARBON	220 5%	1/4W			
R355	1-249-405-11	CARBON	100 5%	1/4W			
R356	1-247-711-11	CARBON	680 5%	1/4W			
R357	1-247-711-11	CARBON	680 5%	1/4W			
R358	1-249-415-11	CARBON	680 5%	1/4W			
R359	1-249-415-11	CARBON	680 5%	1/4W			
R361	1-247-711-11	CARBON	680 5%	1/4W			
R362	1-247-711-11	CARBON	680 5%	1/4W			
R364	1-249-415-11	CARBON	680 5%	1/4W			
R365	1-247-711-11	CARBON	680 5%	1/4W			
R366	1-246-457-00	CARBON	220 5%	1/4W			
R367	1-246-457-00	CARBON	220 5%	1/4W			
R368	1-249-429-11	CARBON	10K 5%	1/4W			
R369	1-249-409-11	CARBON	220 5%	1/4W			
R370	1-249-409-11	CARBON	220 5%	1/4W			


## RESISTOR


The components identified by shading and mark **A** are critical for safety. Replace only with part number specified.

Les composants identifiés par une trame et une marque **A** sont critiques pour la sécurité. Ne les remplacer que par une pièce portant le numéro spécifié.

Q

Ref.No.	Part No.	Description	Remark	Ref.No.	Part No.	Description	Remark
R44B	1-215-46B-00	CARBON	91K 5% 1/4W	R666	1-249-412-11	CARBON	390 5% 1/4W
R450	1-249-434-11	CARBON	27K 5% 1/4W	R1401	1-249-421-11	CARBON	2.2K 5% 1/4W
R451	1-249-42B-11	CARBON	8.2K 5% 1/4W	R1402	1-249-417-11	CARBON	1K 5% 1/4W
R452	1-246-445-00	CARBON	6B 5% 1/4W	R1403	1-249-432-11	CARBON	1BK 5% 1/4W
R453	1-247-713-11	CARBON	1K 5% 1/4W	R1404	1-249-424-11	CARBON	3.9K 5% 1/4W
R454	1-249-421-11	CARBON	2.2K 5% 1/4W	R1405	1-249-429-11	CARBON	10K 5% 1/4W
R455	1-247-725-11	CARBON	10K 5% 1/4W	R1406	1-249-423-11	CARBON	3.3K 5% 1/4W
R456	1-215-46B-00	CARBON	91K 5% 1/4W	R1413	1-247-720-11	CARBON	3.9K 5% 1/4W
R45B	1-249-434-11	CARBON	27K 5% 1/4W	R1414	1-247-70B-11	CARBON	470 5% 1/4W
R459	1-249-42B-11	CARBON	8.2K 5% 1/4W	R1415	1-247-722-11	CARBON	5.6K 5% 1/4W
R460	1-247-700-11	CARBON	100 5% 1/4W	R1417	1-249-413-11	CARBON	470 5% 1/4W
R461	1-249-421-11	CARBON	2.2K 5% 1/4W	R1419	1-249-419-11	CARBON	1.5K 5% 1/4W
R462	1-249-417-11	CARBON	1K 5% 1/4W	R1420	1-249-425-11	CARBON	4.7K 5% 1/4W
R463	1-249-424-11	CARBON	3.9K 5% 1/4W	R1421	1-249-417-11	CARBON	1K 5% 1/4W
R465	1-249-419-11	CARBON	1.5K 5% 1/4W	R1423	1-249-415-11	CARBON	6B0 5% 1/4W
R466	1-249-411-11	CARBON	330 5% 1/4W	R1432	1-249-429-11	CARBON	10K 5% 1/4W
R467	1-249-416-11	CARBON	820 5% 1/4W	R1433	1-249-423-11	CARBON	3.3K 5% 1/4W
R46B	1-249-419-11	CARBON	1.5K 5% 1/4W	R1434	1-215-43B-00	CARBON	5.1K 5% 1/4W
R469	1-249-411-11	CARBON	330 5% 1/4W	R1435	1-249-41B-11	CARBON	1.2K 5% 1/4W
R470	1-249-416-11	CARBON	B20 5% 1/4W	R1436	1-249-436-11	CARBON	39K 5% 1/4W
R471	1-249-419-11	CARBON	1.5K 5% 1/4W	R1437	1-249-429-11	CARBON	10K 5% 1/4W
R472	1-249-411-11	CARBON	330 5% 1/4W	R143B	1-249-426-11	CARBON	5.6K 5% 1/4W
R473	1-249-416-11	CARBON	820 5% 1/4W	R1439	1-249-425-11	CARBON	4.7K 5% 1/4W
R474	1-249-425-11	CARBON	4.7K 5% 1/4W	R1441	1-249-433-11	CARBON	22K 5% 1/4W
R475	1-249-428-11	CARBON	8.2K 5% 1/4W	R1442	1-215-491-00	CARBON	B20K 5% 1/4W
R476	1-249-417-11	CARBON	1K 5% 1/4W	R1443	1-215-491-00	CARBON	820K 5% 1/4W
R477	1-249-425-11	CARBON	4.7K 5% 1/4W	R1444	1-215-491-00	CARBON	820K 5% 1/4W
R47B	1-249-425-11	CARBON	4.7K 5% 1/4W	R1445	1-249-436-11	CARBON	39K 5% 1/4W
R479	1-249-425-11	CARBON	4.7K 5% 1/4W	R1446	1-249-435-11	CARBON	33K 5% 1/4W
R4B0	1-246-445-00	CARBON	6B 5% 1/4W	R1447	1-246-527-00	CARBON	180K 5% 1/4W
R4B1	1-247-717-11	CARBON	2.2K 5% 1/4W	R1448	1-249-426-11	CARBON	5.6K 5% 1/4W
R4B2	1-249-421-11	CARBON	2.2K 5% 1/4W	R1449	1-249-421-11	CARBON	2.2K 5% 1/4W
R4B3	1-249-405-11	CARBON	100 5% 1/4W	R1451	1-249-417-11	CARBON	1K 5% 1/4W
R4B4	1-249-429-11	CARBON	10K 5% 1/4W	R1452	1-249-423-11	CARBON	3.3K 5% 1/4W
R4B5	1-215-46B-00	CARBON	91K 5% 1/4W	R1453	1-249-417-11	CARBON	1K 5% 1/4W
R4B6	1-249-434-11	CARBON	27K 5% 1/4W	R1454	1-249-423-11	CARBON	3.3K 5% 1/4W
R4B7	1-249-428-11	CARBON	8.2K 5% 1/4W	R1455	1-249-421-11	CARBON	2.2K 5% 1/4W
R4B8	1-246-457-00	CARBON	220 5% 1/4W	R1456	1-249-413-11	CARBON	470 5% 1/4W
R4B9	1-247-721-11	CARBON	4.7K 5% 1/4W	R1457	1-249-421-11	CARBON	2.2K 5% 1/4W
R490	1-249-419-11	CARBON	1.5K 5% 1/4W	R1458	1-249-401-11	CARBON	47 5% 1/4W
R491	1-249-421-11	CARBON	2.2K 5% 1/4W	R1459	1-249-414-11	CARBON	560 5% 1/4W
R492	1-249-416-11	CARBON	820 5% 1/4W	R1460	1-249-397-11	CARBON	22 5% 1/4W
R493	1-247-819-31	CARBON	330 5% 1/4W	R1461	1-249-421-11	CARBON	2.2K 5% 1/4W
R494	1-249-425-11	CARBON	4.7K 5% 1/4W	R1462	1-249-413-11	CARBON	470 5% 1/4W
R495	1-249-433-11	CARBON	22K 5% 1/4W	R1463	1-249-421-11	CARBON	2.2K 5% 1/4W
R496	1-249-437-11	CARBON	47K 5% 1/4W	R1464	1-249-401-11	CARBON	47 5% 1/4W
R497	1-249-429-11	CARBON	10K 5% 1/4W	R1465	1-249-414-11	CARBON	560 5% 1/4W
R499	1-249-411-11	CARBON	330 5% 1/4W	R1466	1-249-397-11	CARBON	22 5% 1/4W
R661	1-247-703-11	CARBON	1B0 5% 1/4W	R1467	1-249-421-11	CARBON	2.2K 5% 1/4W
R662	1-247-703-11	CARBON	1B0 5% 1/4W	R146B	1-249-413-11	CARBON	470 5% 1/4W
R663	1-247-703-11	CARBON	1B0 5% 1/4W	R1469	1-249-421-11	CARBON	2.2K 5% 1/4W
R664	1-249-412-11	CARBON	390 5% 1/4W	R1470	1-249-401-11	CARBON	47 5% 1/4W
R665	1-249-412-11	CARBON	390 5% 1/4W	R1471	1-249-414-11	CARBON	560 5% 1/4W

The components identified by shading and mark  are critical for safety. Replace only with part number specified.

Les composants identifiés par une trame et une marque  sont critiques pour la sécurité. Ne les remplacer que par une pièce portant le numéro spécifié.

Q C1

Ref.No.	Part No.	Description	Remark	Ref.No.	Part No.	Description	Remark
R1472	1-249-397-11	CARBON 22 5% 1/4W		C712	1-129-737-00	FILM 0.047MF 20%	630V
R1473	1-249-428-11	CARBON 8.2K 5% 1/4W		C713	1-123-356-00	ELECT 10MF 20%	50V
R1474	1-249-427-11	CARBON 6.8K 5% 1/4W		C714	1-102-249-00	CERAMIC 680PF 20%	2KV
R1475	1-249-429-11	CARBON 10K 5% 1/4W		C715	1-102-219-00	CERAMIC 680PF 10%	1KV
R1476	1-249-409-11	CARBON 220 5% 1/4W		C716	1-161-731-00	CERAMIC 0.001MF 10%	2KV
R1477	1-249-409-11	CARBON 220 5% 1/4W		<u>DIODE</u>			
R1478	1-249-409-11	CARBON 220 5% 1/4W		D701	8-719-300-76	DIODE RH1A	
R1479	1-249-425-11	CARBON 4.7K 5% 1/4W		D702	8-719-300-76	DIODE RH1A	
R1480	1-249-425-11	CARBON 4.7K 5% 1/4W		D703	8-719-300-76	DIODE RH1A	
R1481	1-249-417-11	CARBON 1K 5% 1/4W		<u>COIL</u>			
R1482	1-249-429-11	CARBON 10K 5% 1/4W		L701	1-407-701-00	INDUCTOR 47UH	
R1483	1-249-429-11	CARBON 10K 5% 1/4W		L702	1-407-701-00	INDUCTOR 47UH	
R1484	1-247-725-11	CARBON 10K 5% 1/4W		L703	1-407-701-00	INDUCTOR 47UH	
R1485	1-246-457-00	CARBON 220 5% 1/4W		L704	1-407-701-00	INDUCTOR 47UH	
R1486	1-247-725-11	CARBON 10K 5% 1/4W		<u>TRANSISTOR</u>			
R1487	1-246-457-00	CARBON 220 5% 1/4W		Q701	8-729-178-54	TRANSISTOR 2SC2785	
R1488	1-247-725-11	CARBON 10K 5% 1/4W		Q702	8-729-168-82	TRANSISTOR 2SC2688	
R1489	1-246-457-00	CARBON 220 5% 1/4W			4-370-970-01	SPACER, TR; Q702	
R1490	1-247-725-11	CARBON 10K 5% 1/4W		Q703	8-729-178-54	TRANSISTOR 2SC2785	
R1492	1-246-457-00	CARBON 220 5% 1/4W		Q704	8-729-168-82	TRANSISTOR 2SC2688	
<u>VARIABLE RESISTOR</u>						4-370-970-01	SPACER, TR; Q704
RV401	1-226-853-00	RES, ADJ, CARBON 47K		Q705	8-729-178-54	TRANSISTOR 2SC2785	
RV402	1-226-852-00	RES, ADJ, CARBON 22K		Q706	8-729-168-82	TRANSISTOR 2SC2688	
RV403	1-226-852-00	RES, ADJ, CARBON 22K			4-370-970-01	SPACER, TR; Q706	
RV404	1-226-852-00	RES, ADJ, CARBON 22K		<u>RESISTOR</u>			
RV405	1-226-852-00	RES, ADJ, CARBON 22K		R701	1-249-421-11	CARBON 2.2K 5%	1/4W
<u>SWITCH</u>				R702	1-249-413-11	CARBON 470 5%	1/4W
S401	1-553-725-00	SWITCH, SLIOE		R703	1-249-413-11	CARBON 470 5%	1/4W
S402	1-553-725-00	SWITCH, SLIOE		R704	1-247-793-00	CARBON 27 5%	1/4W
S403	1-553-725-00	SWITCH, SLIDE		R705	1-206-743-00	METAL OXIDE 5.6K 5%	3W F
*****				R706	1-249-408-11	CARBON 180 5%	1/4W
*A-1330-541-A	C1 BOARD, COMPLETE			R708	1-247-838-00	CARBON 2K 5%	1/4W
	*****			R709	1-249-421-11	CARBON 2.2K 5%	1/4W
1-526-645-00	SOCKET, CRT			R710	1-249-413-11	CARBON 470 5%	1/4W
<u>CONNECTOR</u>				R711	1-249-413-11	CARBON 470 5%	1/4W
C1	*1-508-765-00	3P PLUG (M)		R712	1-247-793-00	CARBON 27 5%	1/4W
C2	*1-508-786-00	2P PLUG (M)		R713	1-206-743-00	METAL OXIDE 5.6K 5%	3W F
<u>CAPACITOR</u>				R714	1-249-408-11	CARBON 180 5%	1/4W
C701	1-123-356-00	ELECT 10MF 20%	25V	R716	1-247-838-00	CARBON 2K 5%	1/4W
C703	1-102-116-00	CERAMIC 680PF 10%	50V	R717	1-249-421-11	CARBON 2.2K 5%	1/4W
C704	1-124-039-51	ELECT 10MF 20%	16V	R718	1-249-413-11	CARBON 470 5%	1/4W
C705	1-102-115-00	CERAMIC 560PF 10%	50V	R719	1-249-413-11	CARBON 470 5%	1/4W
C706	1-124-039-51	ELECT 10MF 20%	16V	R720	1-247-793-00	CARBON 27 5%	1/4W
C707	1-102-116-00	CERAMIC 680PF 10%	50V	R721	1-206-743-00	METAL OXIDE 5.6K 5%	3W F
C708	1-124-039-51	ELECT 10MF 20%	16V	R722	1-249-408-11	CARBON 180 5%	1/4W
C709	1-121-759-00	ELECT 4.7MF	250V	R723	1-249-391-11	CARBON 6.8 5%	1/6W
C710	1-106-387-00	MYLAR 0.1MF	10%	R724	1-247-838-00	CARBON 2K 5%	1/4W
C711	1-102-038-00	CERAMIC 0.001MF	500V	R725	1-247-694-11	CARBON 33 5%	1/4W
				R726	1-244-925-00	CARBON 150K 5%	1/2W
				R727	1-202-824-00	SOL ID 3.3K 10%	1/2W

**C1 C2 D**

Ref.No.	Part No.	Description	Remark	Ref.No.	Part No.	Description	Remark
R728	1-202-824-00	SOL IO 3.3K 10% 1/2W		C509	1-123-380-00	ELECT 1MF 20% 50V	
R729	1-202-824-00	SOL IO 3.3K 10% 1/2W		C511	1-123-356-00	ELECT 10MF 20% 25V	
R730	1-202-815-11	SOL IO 47K 10% 1/2W		C512	1-123-380-00	ELECT 1MF 20% 50V	
R731	1-202-719-00	SOL IO 1M 10% 1/2W		C513	1-130-487-00	MYLAR 0.022MF 5% 50V	
R732	1-202-722-00	SOL IO 1.8M 10% 1/2W		C514	1-130-491-00	MYLAR 0.047MF 5% 50V	
R733	1-202-719-00	SOL IO 1M 10% 1/2W		C515	1-124-514-11	ELECT 100MF 20% 50V	
R734	1-202-824-00	SOL ID 3.3K 10% 1/2W		C516	1-102-228-00	CERAMIC 470PF 10% 500V	
R735	1-202-720-00	SOL IO 1.2M 10% 1/2W		C517	1-106-375-12	MYLAR 0.022MF 10% 100V	
R736	1-202-834-00	SOL ID 27K 10% 1/2W		C518	1-123-356-00	ELECT 10MF 20% 25V	
R737	1-202-549-00	SOL IO 100 5% 1/2W		C519	1-123-228-00	ELECT 1MF 20% 50V	
R738	1-202-842-11	SOL IO 220K 10% 1/2W		C520	1-123-330-00	ELECT 22MF 20% 25V	
<u>VARIABLE RESISTOR</u>				C521	1-123-336-00	ELECT 470MF 20% 25V	
RV701	1-228-719-00	RES, ADJ, CERAMIC CARBON 470		C522	1-123-330-00	ELECT 22MF 20% 16V	
RV702	1-228-723-00	RES, ADJ, CERAMIC CARBON 4.7K		C523	1-123-330-00	ELECT 22MF 20% 16V	
RV703	1-228-719-00	RES, ADJ, CERAMIC CARBON 470		C524	1-123-380-00	ELECT 1MF 20% 50V	
RV704	1-228-723-00	RES, ADJ, CERAMIC CARBON 4.7K		C525	1-130-485-00	MYLAR 0.015MF 5% 50V	
RV705	1-228-719-00	RES, ADJ, CERAMIC CARBON 470		C526	1-131-356-00	TANTALUM 3.3MF 10% 25V	
RV706	1-228-723-00	RES, ADJ, CERAMIC CARBON 4.7K		C527	1-126-103-11	ELECT 470MF 20% 16V	
RV707	1-228-719-00	RES, ADJ, CERAMIC CARBON 470		C528	1-123-382-00	ELECT 3.3MF 20% 50V	
RV708	1-228-723-00	RES, ADJ, CERAMIC CARBON 4.7K		C529	1-123-228-00	ELECT 1MF 20% 50V	
RV709	1-228-719-00	RES, ADJ, CERAMIC CARBON 470		C530	1-130-483-00	MYLAR 0.01MF 5% 50V	
RV710	1-228-723-00	RES, ADJ, CERAMIC CARBON 4.7K		C531	1-130-491-00	MYLAR 0.047MF 5% 50V	
RV711	1-228-719-00	RES, ADJ, CERAMIC CARBON 470		C532	1-123-380-00	ELECT 1MF 20% 50V	
RV712	1-228-723-00	RES, ADJ, CERAMIC CARBON 4.7K		C533	1-123-356-00	ELECT 10MF 20% 16V	
RV713	1-226-114-00	RES, ADJ, METAL GLAZE 2.2M		C534	1-106-343-00	MYLAR 0.001MF 5% 50V	
RV714	1-226-063-00	RES, ADJ, CARBON 2.2M		C535	1-123-333-00	ELECT 100MF 20% 25V	
*****				C536	1-123-336-00	ELECT 470MF 20% 25V	
*1-613-038-11	C2 BOARD	*****		C537	1-123-381-00	ELECT 2.2MF 20% 50V	
<u>CONNECTOR</u>				C538	1-102-973-00	CERAMIC 100PF 5% 50V	
C4	*1-560-129-00	PLUG, CONNECTOR (2.5MM) 9P		C751	1-123-380-00	ELECT 1MF 20% 50V	
C5	*1-560-129-00	PLUG, CONNECTOR (2.5MM) 9P		C752	1-123-381-00	ELECT 2.2MF 20% 50V	
<u>SWITCH</u>				C753	1-124-791-11	ELECT 1MF 20% 50V	
S701	1-554-974-11	SWITCH, SL IOE		C755	1-130-495-00	MYLAR 0.1MF 5% 50V	
*****				C756	1-124-791-11	ELECT 1MF 20% 50V	
*A-1345-472-A	O BOARD, COMPLETE	*****		C757	1-162-117-00	CERAMIC 100PF 10% 500V	
3-701-833-01	HEAO, WASHER, TAPPING SCREW			C758	1-108-824-00	MYLAR 0.47MF 5% 50V	
<u>CAPACITOR</u>				C759	1-123-356-00	ELECT 10MF 20% 25V	
C503	1-102-121-00	CERAMIC 0.0022MF 10% 50V		C760	1-124-126-00	ELECT 47MF 20% 25V	
C504	1-106-379-12	MYLAR 0.033MF 10% 100V		C761	1-123-382-00	ELECT 3.3MF 20% 50V	
C505	1-123-380-00	ELECT 1MF 20% 50V		C762	1-123-330-00	ELECT 22MF 20% 25V	
C506	1-130-485-00	MYLAR 0.015MF 5% 50V		C764	1-123-334-00	ELECT 220MF 20% 25V	
C507	1-123-380-00	ELECT 1MF 20% 50V		C766	1-123-380-00	ELECT 1MF 20% 50V	
C508	1-136-173-00	FILM 0.47MF 5% 50V		C767	1-123-380-00	ELECT 1MF 20% 50V	
				C768	1-106-220-00	MYLAR 0.1MF 10% 100V	
				C769	1-124-126-00	ELECT 47MF 20% 25V	
				C801	1-136-173-00	FILM 0.47MF 5% 50V	
				C802	1-123-381-00	ELECT 2.2MF 20% 50V	
				C803	1-101-888-00	CERAMIC 68PF 5% 50V	
				C804	1-123-380-00	ELECT 1MF 20% 50V	
				C805	1-101-361-00	CERAMIC 150PF 5% 50V	
				C806	1-106-343-00	MYLAR 0.001MF 5% 50V	
				C807	1-101-361-00	CERAMIC 150PF 5% 50V	
				C808	1-123-369-00	ELECT 4.7MF 20% 25V	



D

Ref.No.	Part No.	Description	Remark	Ref.No.	Part No.	Description	Remark
C810	1-106-359-00	MYLAR	0.0047MF 5%	50V	C873	1-126-103-11	ELECT 470MF 20%
C811	1-106-367-00	MYLAR	0.01MF 10%	100V	C874	1-106-367-00	MYLAR 0.01MF 10%
C813	1-106-375-12	MYLAR	0.022MF 10%	100V	C876	1-102-816-00	CERAMIC 120PF 5%
C814	1-106-351-00	MYLAR	0.0022MF 10%	100V	C877	1-101-361-00	CERAMIC 150PF 5%
C815	1-129-794-00	FILM	0.0033MF 5%	100V	C879	1-101-361-00	CERAMIC 150PF 5%
C816	1-123-381-00	ELECT	2.2MF 20%	50V	C880	1-101-888-00	CERAMIC 68PF 5%
C817	1-123-381-00	ELECT	2.2MF 20%	50V	C881	1-102-820-00	CERAMIC 330PF 5%
C818	1-123-330-00	ELECT	22MF 20%	25V	C883	1-108-818-11	MYLAR 0.15MF 5%
C819	1-123-330-00	ELECT	22MF 20%	25V	C884	1-123-356-00	ELECT 10MF 20%
C821	1-123-381-00	ELECT	2.2MF 20%	50V	C885	1-130-493-00	MYLAR 0.068MF 5%
C822	1-123-380-00	ELECT	1MF 20%	50V	C886	1-106-351-00	MYLAR 0.0022MF 5%
C823	1-123-356-00	ELECT	10MF 20%	16V	C887	1-123-332-00	ELECT 47MF 20%
C824	1-123-356-00	ELECT	10MF 20%	50V	C888	1-126-103-11	ELECT 470MF 20%
C825	1-123-322-00	ELECT	330MF 20%	16V	C889	1-108-818-11	MYLAR 0.15MF 5%
C827	1-123-379-00	ELECT	0.47MF 20%	50V	C895	1-102-512-00	CERAMIC 16PF 5%
C828	1-102-820-00	CERAMIC	330PF 5%	50V	<u>CONNECTOR</u>		
C829	1-106-385-00	MYLAR	0.056MF 10%	200V	D1	*1-560-126-00	PLUG, CONNECTOR (2.5MM) 6P
C830	1-102-030-00	CERAMIC	330PF 10%	500V	D2	*1-560-128-00	PLUG, CONNECTOR (2.5MM PITCH)
C832	1-161-961-11	CERAMIC	0.0022MF 10%	3KV	D3	*1-560-125-00	PLUG, CONNECTOR (2.5MM) 5P
C833	1-106-387-00	MYLAR	0.068MF 10%	200V	D4	*1-508-765-00	3P PLUG (M)
C834	1-136-064-11	FILM	0.002MF 3%	2KV	D5	*1-508-765-00	3P PLUG (M)
C835	1-136-079-11	FILM	0.01MF 3%	2KV	D6	*1-564-038-00	CONNECTOR PLUG, DY (MINI) 6P
C836	1-136-186-00	FILM	2.4MF 5%	200V	D7	*1-508-766-00	4P PLUG (M)
C837	1-106-387-00	MYLAR	0.1MF 10%	200V	D8	*1-560-290-00	PLUG, CONNECTOR (2.5MM PITCH)
C838	1-136-112-00	FILM	1.4MF 5%	200V	D9	*1-560-124-00	PLUG, CONNECTOR (2.5MM) 4P
C839	1-130-566-00	MYLAR	2.2MF 10%	250V	D10	*1-560-123-00	PLUG, CONNECTOR (2.5MM PITCH)
C840	1-136-123-00	FILM	0.51MF 5%	400V	D11	*1-560-123-00	PLUG, CONNECTOR (2.5MM) 3P
C841	1-123-267-00	ELECT	2.2MF 20%	160V	D12	*1-560-123-00	PLUG, CONNECTOR (2.5MM) 3P
C842	1-106-357-00	MYLAR	0.0039MF 10%	100V	<u>DIODE</u>		
C843	1-123-380-00	ELECT	1MF 20%	50V	D501	8-719-100-23	DIODE RD4.3E-B2
C844	1-123-322-00	ELECT	330MF 20%	16V	D502	8-719-911-19	DIODE 1SS119
C846	1-123-347-00	ELECT	330MF 20%	35V	D504	8-719-911-19	DIODE 1SS119
C849	1-130-495-00	MYLAR	0.1MF 5%	50V	D505	8-719-911-19	DIODE 1SS119
C850	1-129-706-00	FILM	0.0022MF 10%	630V	D506	8-719-911-55	DIODE U05G
C851	1-106-367-00	MYLAR	0.01MF 10%	200V	D507	8-719-911-19	DIODE 1SS119
C852	1-123-337-00	ELECT	1000MF 20%	25V	D509	8-719-911-19	DIODE 1SS119
C853	1-102-212-00	CERAMIC	820PF 10%	500V	D751	8-719-911-19	DIODE 1SS119
C854	1-121-999-00	ELECT	10MF 160V		D752	8-719-911-19	DIODE 1SS119
C855	1-123-024-00	ELECT	33MF 160V		D753	8-719-911-19	DIODE 1SS119
C856	1-106-383-00	MYLAR	0.047MF 10%	200V	D754	8-719-911-19	DIODE 1SS119
C857	1-102-223-00	CERAMIC	0.0047MF 10%	2KV	D801	8-719-911-55	DIODE U05G
C858	1-102-971-00	CERAMIC	82PF 5%	50V	D802	8-719-911-19	DIODE 1SS119
C859	1-123-369-00	ELECT	4.7MF 20%	50V	D803	8-719-100-30	DIODE RD5.1E-B2
C860	1-123-332-00	ELECT	47MF 20%	25V	D804	8-719-100-80	DIODE RD20E-B2
C861	1-136-065-11	FILM	0.0027MF 3%	2KV	D805	8-719-305-15	DIODE GH3F
C862	1-136-066-11	FILM	0.003MF 3%	2KV	D806	8-719-928-08	DIODE ERD28-08S
C863	1-136-064-11	FILM	0.002MF 3%	2KV	D807	8-719-918-77	DIODE V19G
C865	1-106-367-00	MYLAR	0.01MF 10%	200V	D808	8-719-918-77	DIODE V19G
C866	1-101-361-00	CERAMIC	150PF 5%	50V	D809	8-719-300-76	DIODE RH1A
C868	1-123-356-00	ELECT	10MF 20%	16V	D810	8-719-903-09	DIODE V30N
C870	1-123-332-00	ELECT	47MF 20%	25V	D811	8-719-911-19	DIODE 1SS119
C871	1-123-380-00	ELECT	1MF 20%	50V			
C872	1-106-367-00	MYLAR	0.01MF 10%	100V			

The components identified by shading and mark  $\Delta$  are critical for safety. Replace only with part number specified.

Les composants identifiés par une trame et une marque  $\Delta$  sont critiques pour la sécurité. Ne les remplacer que par une pièce portant le numéro spécifié.



D

Ref.No.	Part No.	Description	Remark	Ref.No.	Part No.	Description	Remark
R530	1-215-866-11	METAL OXIDE	330 5% 1W F	R593	1-249-413-11	CARBON	470 5% 1/4W
R531	1-215-464-00	CARBON	62K 5% 1/4W	R594	1-249-417-11	CARBON	1K 5% 1/4W
R532	1-215-460-00	CARBON	43K 5% 1/4W	R595	1-249-417-11	CARBON	1K 5% 1/4W
R533	1-249-442-11	CARBON	510 5% 1/4W	R596	1-249-409-11	CARBON	220 5% 1/4W
R534	1-249-442-11	CARBON	510 5% 1/4W	R597	1-249-417-11	CARBON	1K 5% 1/4W
R542	1-212-366-00	METAL OXIDE	3.3 5% 1W F	R751	1-215-464-00	CARBON	62K 5% 1/4W
R544	1-247-746-11	CARBON	390 5% 1/2W	R753	1-249-439-11	CARBON	68K 5% 1/4W
R545	1-249-420-11	CARBON	1.8K 5% 1/4W	R754	1-249-432-11	CARBON	18K 5% 1/4W
R546	1-249-427-11	CARBON	6.8K 5% 1/4W	R755	1-249-417-11	CARBON	1K 5% 1/4W
R547	1-249-417-11	CARBON	1K 5% 1/4W	R756	1-249-414-11	CARBON	560 5% 1/4W
R548	1-249-426-11	CARBON	5.6K 5% 1/4W	R757	1-249-417-11	CARBON	1K 5% 1/4W
R549	1-249-429-11	CARBON	10K 5% 1/4W	R758	1-249-411-11	CARBON	330 5% 1/4W
R550	1-215-468-00	CARBON	91K 5% 1/4W	R760	1-249-442-11	CARBON	510 5% 1/4W
R551	1-249-437-11	CARBON	47K 5% 1/4W	R761	1-249-417-11	CARBON	1K 5% 1/4W
R552	1-249-428-11	CARBON	8.2K 5% 1/4W	R762	1-249-415-11	CARBON	680 5% 1/4W
R553	1-249-425-11	CARBON	4.7K 5% 1/4W	R763	1-215-476-00	CARBON	200K 5% 1/4W
R554	1-215-476-00	CARBON	200K 5% 1/4W	R764	1-215-436-00	CARBON	4.3K 5% 1/4W
R555	1-249-426-11	CARBON	5.6K 5% 1/4W	R765	1-213-147-00	METAL OXIDE	2.2K 5% 1W F
R556	1-249-431-11	CARBON	15K 5% 1/4W	R766	1-247-802-31	CARBON	62 5% 1/4W
R558	1-249-435-11	CARBON	33K 5% 1/4W	R767	1-249-405-11	CARBON	100 5% 1/4W
R559	1-249-429-11	CARBON	10K 5% 1/4W	R768	1-249-430-11	CARBON	12K 5% 1/4W
R560	1-249-429-11	CARBON	10K 5% 1/4W	R769	1-247-021-00	CARBON	1.5 5% 1/8W F
R561	1-215-466-00	CARBON	75K 5% 1/4W	R770	1-247-021-00	CARBON	1.5 5% 1/8W F
R562	1-249-439-11	CARBON	68K 5% 1/4W	R771	1-215-464-00	CARBON	62K 5% 1/4W
R563	1-249-439-11	CARBON	68K 5% 1/4W	R772	1-215-460-00	CARBON	43K 5% 1/4W
R564	1-215-479-00	CARBON	270K 5% 1/4W	R773	1-249-442-11	CARBON	510 5% 1/4W
R565	1-249-429-11	CARBON	10K 5% 1/4W	R774	1-249-410-11	CARBON	270 5% 1/4W
R566	1-215-493-00	METAL	1M 1% 1/6W	R775	1-249-442-11	CARBON	510 5% 1/4W
R567	1-249-440-11	CARBON	82K 5% 1/4W	R776	1-249-411-11	CARBON	330 5% 1/4W
R568	1-249-405-11	CARBON	100 5% 1/4W	R777	1-249-414-11	CARBON	560 5% 1/4W
R569	1-249-439-11	CARBON	68K 5% 1/4W	R778	1-249-439-11	CARBON	68K 5% 1/4W
R570	1-215-460-00	CARBON	43K 5% 1/4W	R779	1-249-429-11	CARBON	10K 5% 1/4W
R571	1-249-417-11	CARBON	1K 5% 1/4W	R780	1-249-418-11	CARBON	1.2K 5% 1/4W
R572	1-249-417-11	CARBON	1K 5% 1/4W	R781	1-215-406-00	CARBON	240 5% 1/4W
R573	1-247-881-00	CARBON	120K 5% 1/4W	R782	1-215-412-00	CARBON	430 5% 1/4W
R574	1-249-438-11	CARBON	56K 5% 1/4W	R783	1-249-410-11	CARBON	270 5% 1/4W
R575	1-249-426-11	CARBON	5.6K 5% 1/4W	R784	1-249-427-11	CARBON	6.8K 5% 1/4W
R576	1-249-421-11	CARBON	2.2K 5% 1/4W	R785	1-247-021-11	CARBON	1.5 5% 1/8W F
R577	1-249-409-11	CARBON	220 5% 1/4W	R786	1-247-021-11	CARBON	1.5 5% 1/8W F
R578	1-215-479-00	CARBON	270K 5% 1/4W	R787	1-247-881-00	CARBON	120K 5% 1/4W
R579	1-249-441-11	CARBON	100K 5% 1/4W	R788	1-249-441-11	CARBON	100K 5% 1/4W
R580	1-249-417-11	CARBON	1K 5% 1/4W	R789	1-249-418-11	CARBON	1.2K 5% 1/4W
R581	1-249-417-11	CARBON	1K 5% 1/4W	R790	1-247-001-11	CARBON	15 5% 1/4W F
R582	1-249-426-11	CARBON	5.6K 5% 1/4W	R801	1-249-423-11	CARBON	3.3K 5% 1/4W
R583	1-215-482-00	CARBON	360K 5% 1/4W	R802	1-249-432-11	CARBON	18K 5% 1/4W
R584	1-249-437-11	CARBON	47K 5% 1/4W	R803	1-247-881-00	CARBON	120K 5% 1/4W
R585	1-249-399-11	CARBON	33 5% 1/4W	R804	1-249-435-11	CARBON	33K 5% 1/4W
R586	1-249-431-11	CARBON	15K 5% 1/4W	R805	1-249-419-11	CARBON	1.5K 5% 1/4W
R587	1-249-417-11	CARBON	1K 5% 1/4W	R806	1-249-421-11	CARBON	2.2K 5% 1/4W
R589	1-249-417-11	CARBON	1K 5% 1/4W	R807	1-215-484-00	CARBON	430K 5% 1/4W
R590	1-215-493-00	CARBON	1M 5% 1/4W	R808	1-249-434-11	CARBON	27K 5% 1/4W
R591	1-215-476-00	CARBON	200K 5% 1/4W	R809	1-249-419-11	CARBON	1.5K 5% 1/4W
R592	1-212-364-00	METAL OXIDE	2.2 5% 1W F	R810	1-249-428-11	CARBON	8.2K 5% 1/4W

The components identified by shading and mark  $\Delta$  are critical for safety. Replace only with part number specified.

Les composants identifiés par une trame et une marque  $\Delta$  sont critiques pour la sécurité. Ne les remplacer que par une pièce portant le numéro spécifié.

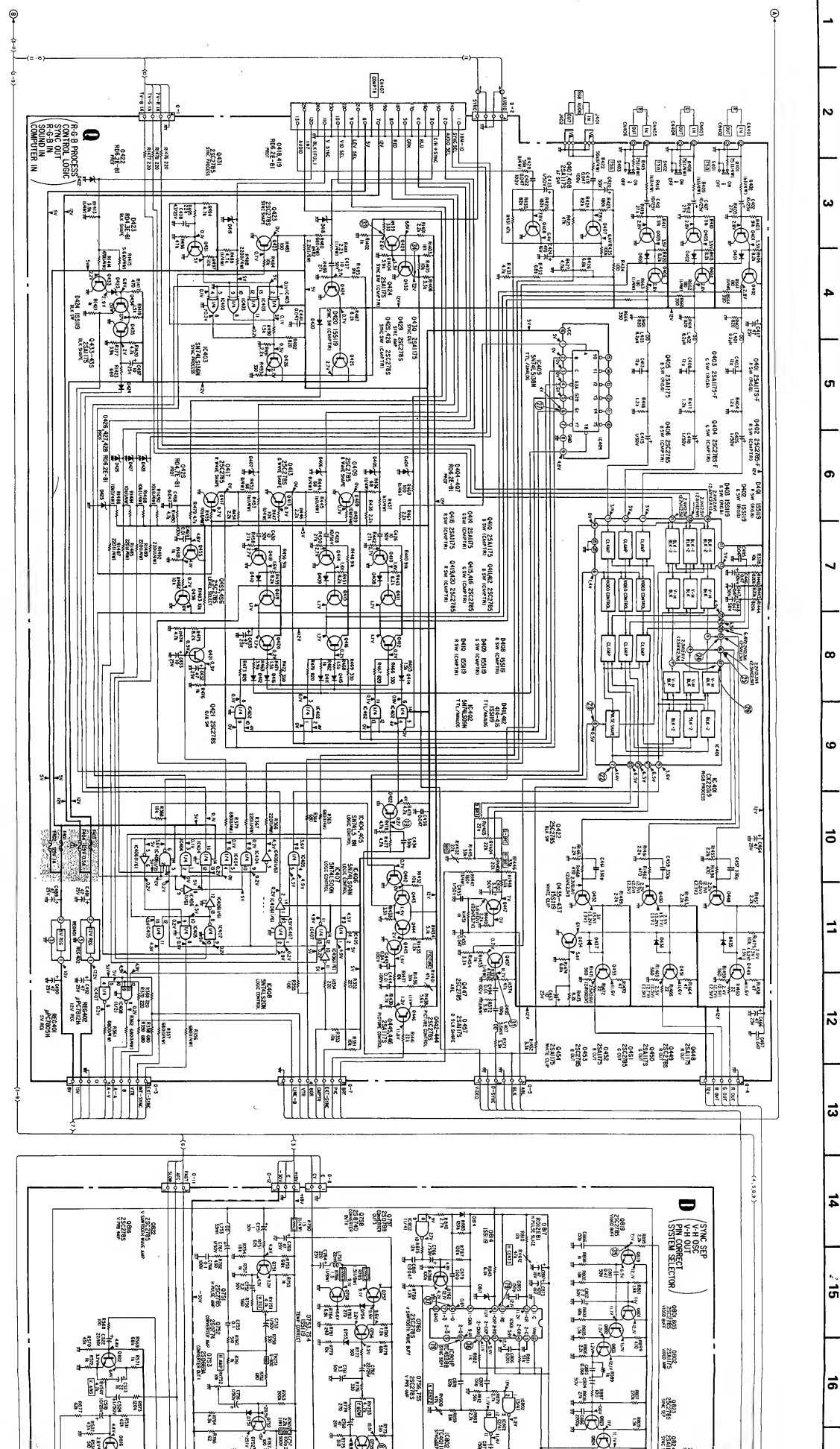


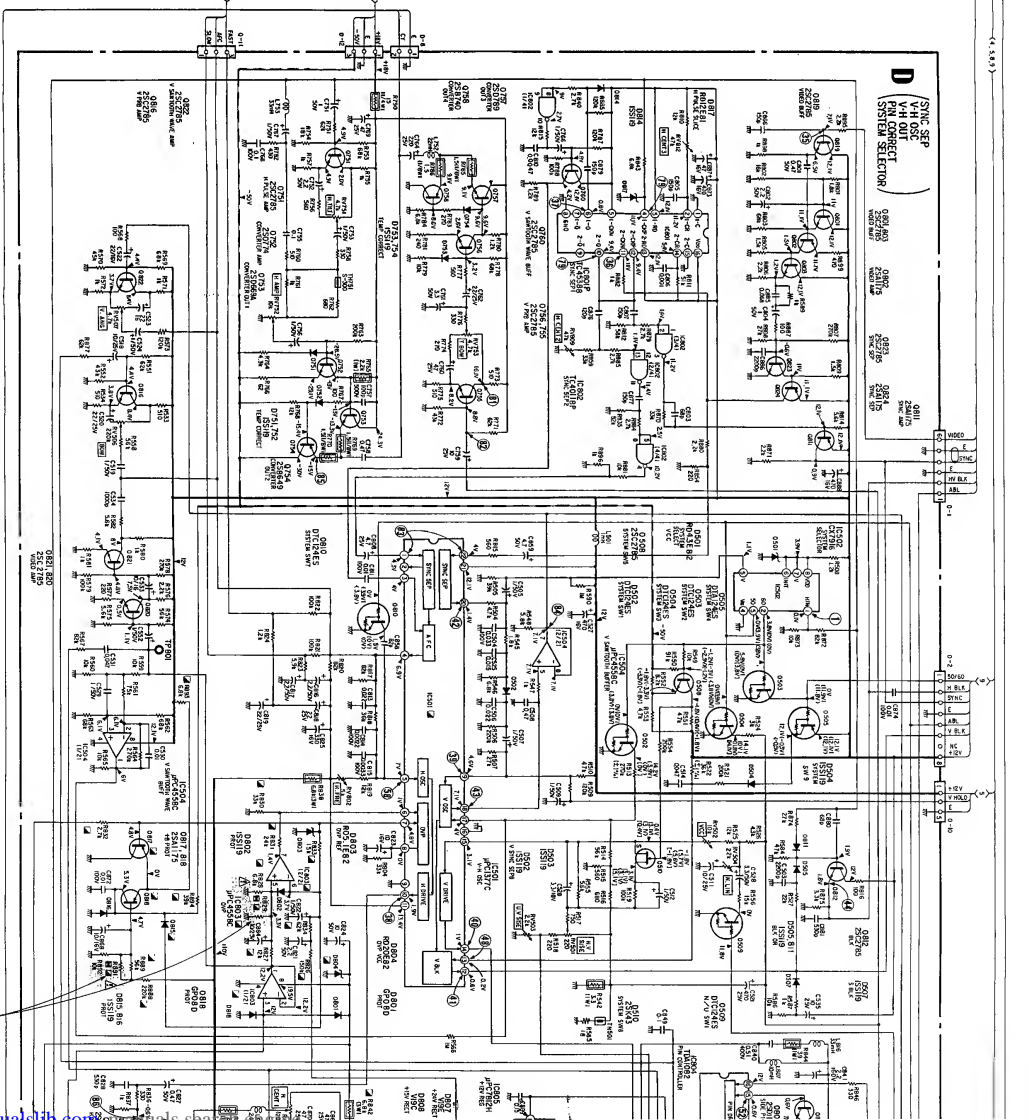
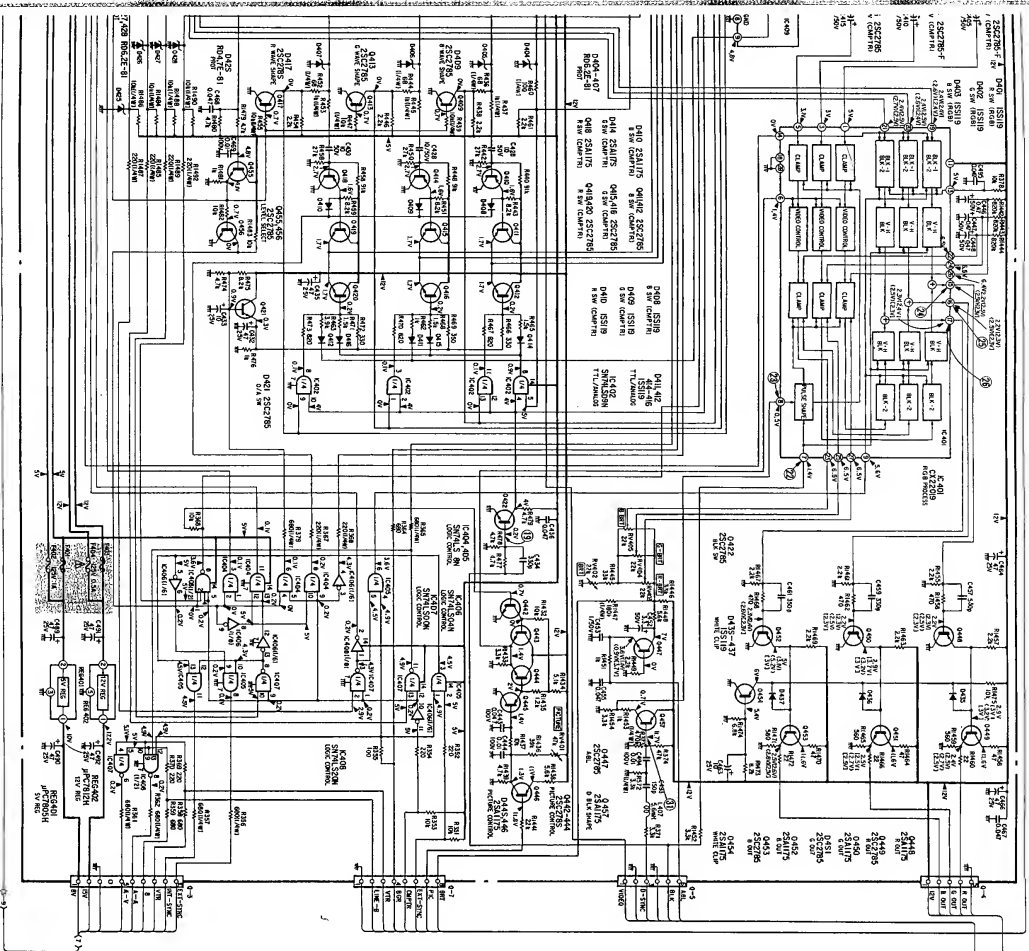
Ref.No.	Part No.	Description	Remark	Ref.No.	Part No.	Description	Remark
R811	1-215-462-00	METAL	51K 1% 1/6W	R865	1-247-721-11	CARBON	4.7K 5% 1/4W
R812	1-249-438-11	CARBON	56K 5% 1/4W	R866	1-247-614-00	CARBON	3.3K 5% 1/8W
R813	1-249-414-11	CARBON	560 5% 1/4W	R867	1-213-143-61	METAL OXIDE	1K 5% 1W F
R814	1-249-426-11	CARBON	5.6K 5% 1/4W	R868	1-213-147-00	METAL OXIDE	2.2K 5% 1W F
R815	1-249-430-11	CARBON	12K 5% 1/4W	R869	1-213-127-00	METAL OXIDE	47 5% 1W F
R816	1-249-405-11	CARBON	100 5% 1/4W	R870	1-249-435-11	CARBON	33K 5% 1/4W
R817	1-249-440-11	CARBON	82K 5% 1/4W	R871	1-249-421-11	CARBON	2.2K 5% 1/4W
R818	1-215-458-00	CARBON	36K 5% 1/4W	R872	1-249-440-11	CARBON	82K 5% 1/4W
R819	1-249-430-11	CARBON	12K 5% 1/4W	R873	1-249-429-11	CARBON	10K 5% 1/4W
R820	1-249-440-11	CARBON	82K 5% 1/4W	R874	1-249-434-11	CARBON	27K 5% 1/4W
R821	1-249-441-11	CARBON	100K 5% 1/4W	R875	1-249-423-11	CARBON	3.3K 5% 1/4W
R822	1-249-441-11	CARBON	100K 5% 1/4W	R876	1-212-364-00	METAL OXIDE	2.2 5% 1W F
R823	1-249-424-11	CARBON	3.9K 5% 1/4W	R877	1-215-464-00	CARBON	62K 5% 1/4W
R824	1-249-418-11	CARBON	1.2K 5% 1/4W	R878	1-215-484-00	CARBON	430K 5% 1/4W
R825	1-249-429-11	CARBON	10K 5% 1/4W	R879	1-249-422-11	CARBON	2.7K 5% 1/4W
R826	1-215-473-00	METAL	150K 1% 1/6W	R880	1-249-421-11	CARBON	2.2K 5% 1/4W
R827	1-215-447-00	METAL	12K 1% 1/6W	R881	1-249-429-11	CARBON	10K 5% 1/4W
R828	1-215-441-00	METAL	6.8K 1% 1/6W	R882	1-249-417-11	CARBON	1K 5% 1/4W
R829	1-249-435-11	CARBON	33K 5% 1/4W	R883	1-249-422-11	CARBON	2.7K 5% 1/4W
R830	1-249-435-11	CARBON	33K 5% 1/4W	R884	1-249-422-11	CARBON	2.7K 5% 1/4W
R831	1-215-454-00	CARBON	24K 5% 1/4W	R885	1-247-881-00	CARBON	120K 5% 1/4W
R832	1-249-422-11	CARBON	2.7K 5% 1/4W	R886	1-249-424-11	CARBON	3.9K 5% 1/8W
R833	1-215-449-00	METAL	15K 1% 1/6W	R887	1-249-405-11	CARBON	100 5% 1/4W
R834	1-215-464-00	METAL	62K 1% 1/6W	R888	1-215-477-00	METAL	220K 1% 1/6W
R835	1-215-467-00	METAL	82K 1% 1/6W	R889	1-215-463-00	METAL	56K 1% 1/6W
R836	1-249-411-11	CARBON	330 5% 1/4W	R890	1-212-360-61	METAL OXIDE	1 5% 1W F
R837	1-249-417-11	CARBON	1K 5% 1/4W	R891	1-212-360-61	METAL	1 5% 1W F
R838	1-206-745-00	METAL OXIDE	6.8K 5% 3W F	R892	1-215-445-00	METAL	10K 1% 1/6W
R839	1-247-662-11	CARBON	560 5% 1/4W F	R893	1-249-427-11	CARBON	6.8K 5% 1/4W
R840	1-249-422-11	CARBON	2.7K 5% 1/4W	R894	1-249-436-11	CARBON	39K 5% 1/4W
R841	1-212-361-00	METAL OXIDE	1.2 5% 1W F	R895	1-249-421-11	CARBON	2.2K 5% 1/4W
R842	1-206-745-61	METAL OXIDE	6.8K 5% 3W F	R896	1-249-417-11	CARBON	1K 5% 1/4W
R843	1-249-427-11	CARBON	6.8K 5% 1/4W	R897	1-215-436-00	CARBON	4.3K 5% 1/4W
R844	1-213-126-00	METAL OXIDE	39 5% 1W F	R898	1-249-417-11	CARBON	1K 5% 1/4W
R845	1-215-465-00	METAL	68K 1% 1/6W	R899	1-249-413-11	CARBON	470 5% 1/4W
R846	1-249-411-11	CARBON	330 5% 1/4W	<b>VARIABLE RESISTOR</b>			
R847	1-249-429-11	CARBON	10K 5% 1/4W	RV501	1-228-577-00	RES, ADJ, CARBON	220
R848	1-215-436-00	CARBON	4.3K 5% 1/4W	RV502	1-228-724-00	RES, ADJ, CARBON	10K
R849	1-249-432-11	CARBON	18K 5% 1/4W	RV503	1-226-848-00	RES, ADJ, CARBON	2.2K
R850	1-215-434-00	CARBON	3.6K 5% 1/4W	RV504	1-226-852-00	RES, ADJ, CARBON	22K
R851	1-249-432-11	CARBON	18K 5% 1/4W	RV505	1-224-249-XX	RES, ADJ, METAL GLAZE	1K
R852	1-249-433-11	CARBON	22K 5% 1/4W	RV506	1-226-855-00	RES, ADJ, CARBON	220K
R853	1-249-424-11	CARBON	3.9K 5% 1/4W	RV507	1-226-850-00	RES, ADJ, CARBON	4.7K
R855	1-249-411-11	CARBON	330 5% 1/4W	RV751	1-226-850-00	RES, ADJ, CARBON	4.7K
R856	1-249-428-11	CARBON	8.2K 5% 1/4W	RV752	1-228-724-00	RES, ADJ, CARBON	10K
R857	1-249-441-11	CARBON	100K 5% 1/4W	RV753	1-226-850-00	RES, ADJ, CARBON	4.7K
R858	1-215-480-00	CARBON	300K 5% 1/4W	RV802	1-228-160-11	RES, ADJ, METAL GLAZE	5K
R859	1-249-435-11	CARBON	33K 5% 1/4W	RV803	1-226-849-00	RES, ADJ, CARBON	3.3K
R860	1-217-418-00	FUSIBLE	0.47 10% 1/2W F	RV804	1-226-847-00	RES, ADJ, CARBON	1K
R861	1-217-418-00	FUSIBLE	0.47 10% 1/2W F	RV805	1-226-845-00	RES, ADJ, CARBON	330
R862	1-244-923-00	CARBON	120K 5% 1/2W	RV806	1-226-849-00	RES, ADJ, CARBON	3.3K
R863	1-244-923-00	CARBON	120K 5% 1/2W	RV807	1-226-848-00	RES, ADJ, CARBON	2.2K
R864	1-246-488-00	CARBON	4.3K 5% 1/4W				

• The components identified by in this manual have been carefully factory-selected for each set in order to satisfy regulations regarding X-ray radiation. Should replacement be required, replace only with the value originally used.

The components identified by shading and mark are critical for safety. Replace only with part number specified.

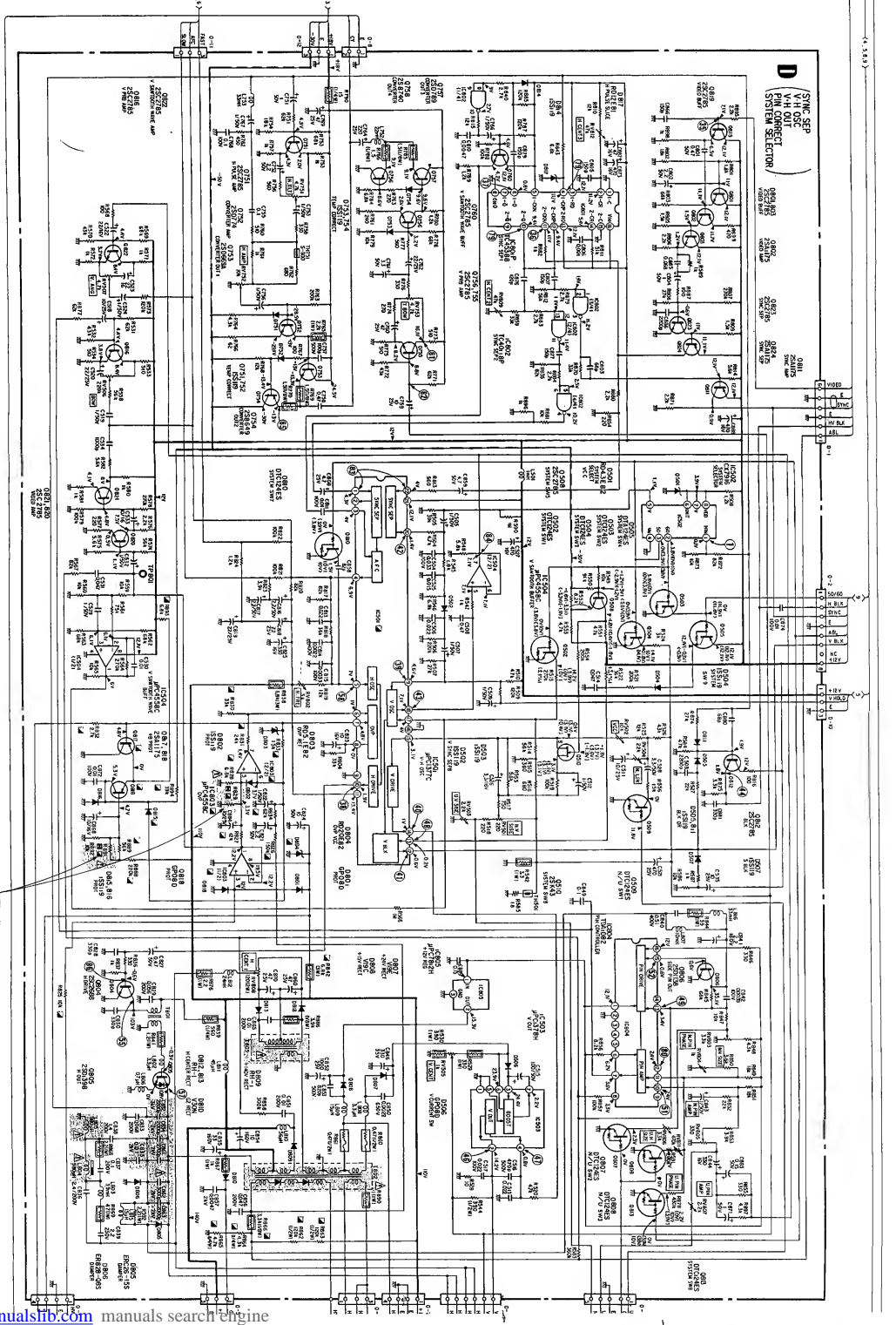
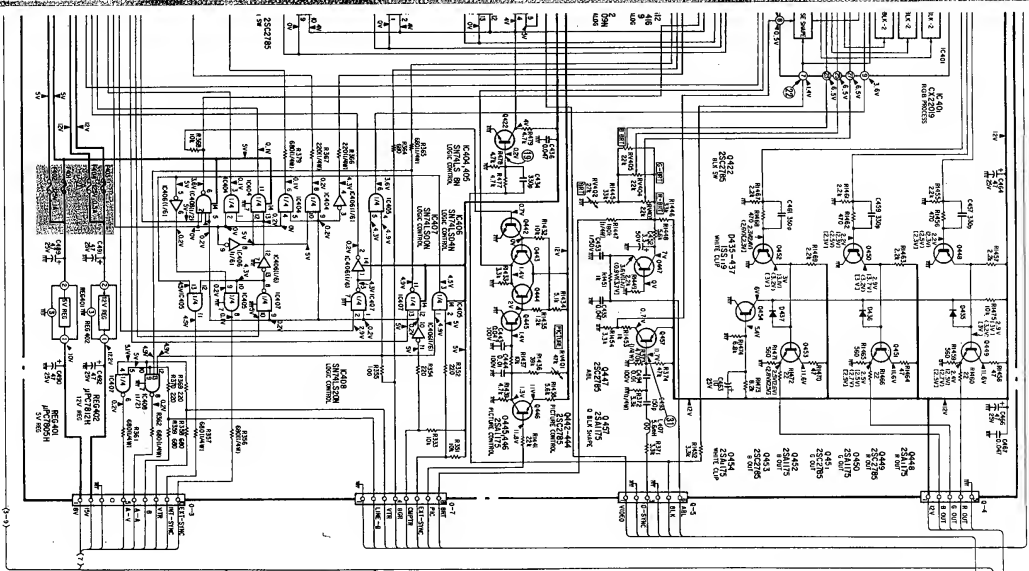
Les composants identifiés par une trame et une marque sont critiques pour la sécurité. Ne les remplacer que par une pièce portant le numéro spécifié.





See page

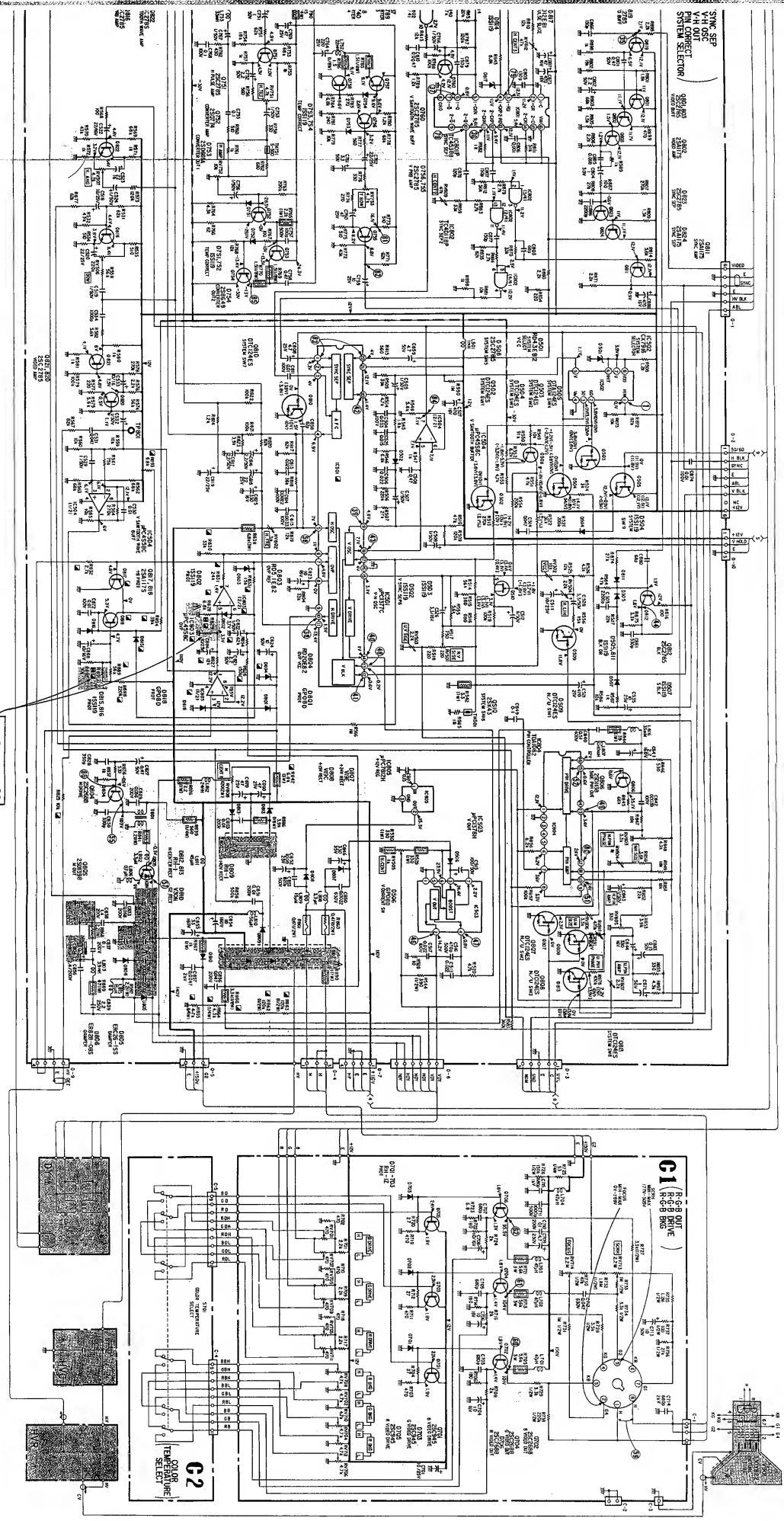
9 10 11 12 13 14 15 16 17 18 19 20 21 22 23 24 25



See page 20

PVM-12710 PVM-12710

15 16 17 18 19 20 21 22 23 24 25 26 27 28 29 30





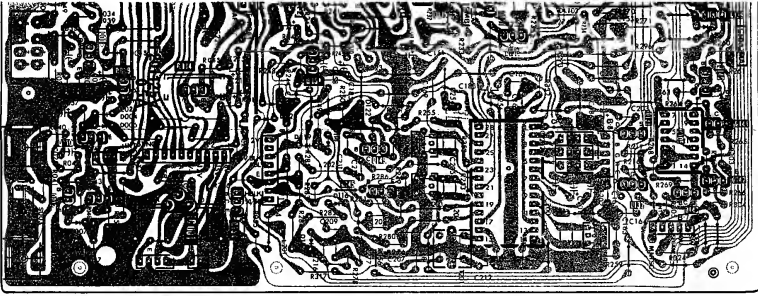


7 | 8 | 9 | 10 | 11 | 12 | 13 | 14 | 15 | 16 | 17 | 18 | 19 | 20 | 21 | 22 | 23

**D** SYNC SEP, V-H OSC, V-H OUT  
[PIN CORRECT, SYSTEM SELECTOR]

139	140	141	142	143	
144	145	146	147	148	149
150	151	152	153	154	155
156	157	158	159	160	161
162	163	164	165	166	167
168	169	170	171	172	173
174	175	176	177	178	179
180	181	182	183	184	185
186	187	188	189	190	191
192	193	194	195	196	197
198	199	200	201	202	203
204	205	206	207	208	209
210	211	212	213	214	215
216	217	218	219	220	221
222	223	224	225	226	227
228	229	230	231	232	233
234	235	236	237	238	239
240	241	242	243	244	245
246	247	248	249	250	251
252	253	254	255	256	257
258	259	260	261	262	263
264	265	266	267	268	269
270	271	272	273	274	275
276	277	278	279	280	281
282	283	284	285	286	287
288	289	290	291	292	293
294	295	296	297	298	299
300	301	302	303	304	305
306	307	308	309	310	311
312	313	314	315	316	317
318	319	320	321	322	323
324	325	326	327	328	329
330	331	332	333	334	335
336	337	338	339	340	341
342	343	344	345	346	347
348	349	350	351	352	353
354	355	356	357	358	359
360	361	362	363	364	365
366	367	368	369	370	371
372	373	374	375	376	377
378	379	380	381	382	383
384	385	386	387	388	389
390	391	392	393	394	395
396	397	398	399	400	401
402	403	404	405	406	407
408	409	410	411	412	413
414	415	416	417	418	419
420	421	422	423	424	425
426	427	428	429	430	431
432	433	434	435	436	437
438	439	440	441	442	443
444	445	446	447	448	449
450	451	452	453	454	455
456	457	458	459	460	461
462	463	464	465	466	467
468	469	470	471	472	473
474	475	476	477	478	479
480	481	482	483	484	485
486	487	488	489	490	491
492	493	494	495	496	497
498	499	500	501	502	503
504	505	506	507	508	509
510	511	512	513	514	515
516	517	518	519	520	521
522	523	524	525	526	527
528	529	530	531	532	533
534	535	536	537	538	539
540	541	542	543	544	545
546	547	548	549	550	551
552	553	554	555	556	557
558	559	560	561	562	563
564	565	566	567	568	569
570	571	572	573	574	575
576	577	578	579	580	581
582	583	584	585	586	587
588	589	590	591	592	593
594	595	596	597	598	599
600	601	602	603	604	605
606	607	608	609	610	611
612	613	614	615	616	617
618	619	620	621	622	623
624	625	626	627	628	629
630	631	632	633	634	635
636	637	638	639	640	641
642	643	644	645	646	647
648	649	650	651	652	653
654	655	656	657	658	659
660	661	662	663	664	665
666	667	668	669	670	671
672	673	674	675	676	677
678	679	680	681	682	683
684	685	686	687	688	689
690	691	692	693	694	695
696	697	698	699	700	701
702	703	704	705	706	707
708	709	710	711	712	713
714	715	716	717	718	719
720	721	722	723	724	725
726	727	728	729	730	731
732	733	734	735	736	737
738	739	740	741	742	743
744	745	746	747	748	749
750	751	752	753	754	755
756	757	758	759	760	761
762	763	764	765	766	767
768	769	770	771	772	773
774	775	776	777	778	779
780	781	782	783	784	785
786	787	788	789	790	791
792	793	794	795	796	797
798	799	800	801	802	803
804	805	806	807	808	809
810	811	812	813	814	815
816	817	818	819	820	821
822	823	824	825	826	827
828	829	830	831	832	833
834	835	836	837	838	839
840	841	842	843	844	845
846	847	848	849	850	851
852	853	854	855	856	857
858	859	860	861	862	863
864	865	866	867	868	869
870	871	872	873	874	875
876	877	878	879	880	881
882	883	884	885	886	887
888	889	890	891	892	893
894	895	896	897	898	899
900	901	902	903	904	905
906	907	908	909	910	911
912	913	914	915	916	917
918	919	920	921	922	923
924	925	926	927	928	929
930	931	932	933	934	935
936	937	938	939	940	941
942	943	944	945	946	947
948	949	950	951	952	953
954	955	956	957	958	959
960	961	962	963	964	965
966	967	968	969	970	971
972	973	974	975	976	977
978	979	980	981	982	983
984	985	986	987	988	989
990	991	992	993	994	995
996	997	998	999	1000	

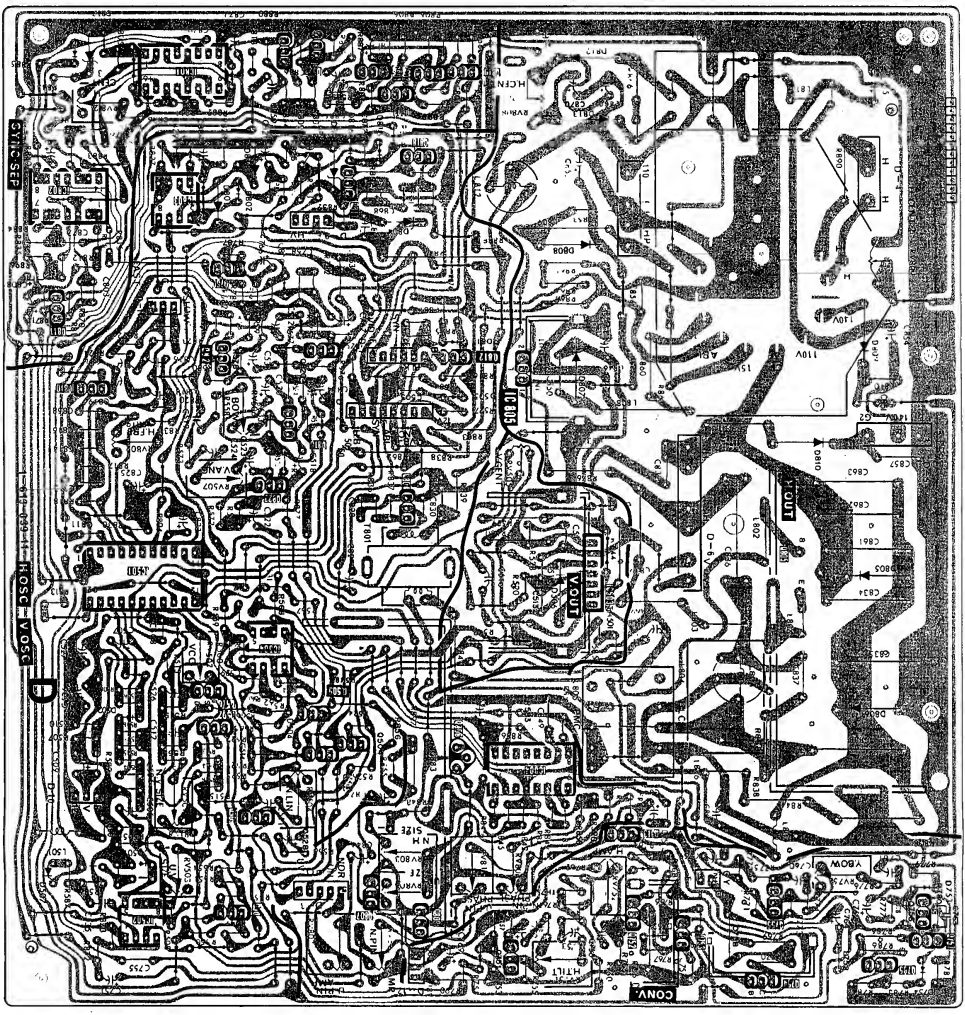
IC	D	A.U.J
757	753	754
785	809	809
	810	753
755 756		
753		
813		
752		
751 752		
IC303	813	752
	812 808 807	751
	505	751
IC304		
IC305 751	808 505 804	811
	811 505	
819 812		
806		
818	804 803 804	803 806
802 803	804 807 815	805
801		
817	503 816	807
505	803	
823 820		
824 816	504	504
822 IC304		
818	506	
509	507	
740 510	802	
821 508	507	
IC801	501 503	
IC803		
IC501 IC502	501 502	802
810	502	
IC802	817 814	812
81	507	



**Q** R, G, B PROCESS, LOGIC CON  
[SYNC OUT, R, G, B IN, A-F IN]

0	456	REC4
1	455	IC403
2	431	
3	404	
4	405	
5	406	
6	407	
7	408	
8	409	
9	410	
10	411	
11	412	
12	413	
13	414	
14	415	
15	416	
16	417	
17	418	
18	419	
19	420	
20	421	
21	422	
22	423	
23	424	
24	425	
25	426	
26	427	
27	428	
28	429	
29	430	
30	431	
31	432	
32	433	
33	434	
34	435	
35	436	
36	437	
37	438	
38	439	
39	440	
40	441	
41	442	
42	443	
43	444	
44	445	
45	446	
46	447	
47	448	
48	449	
49	450	
50	451	
51	452	
52	453	
53	454	
54	455	
55	456	
56	457	
57	458	
58	459	
59	460	
60	461	
61	462	
62	463	
63	464	
64	465	
65	466	
66	467	
67	468	
68	469	

IC	0	ADJ
757	753 754	
785	809 805 806	809 753
755 756	810	
753		752
813	751	
752	752	
503	813	752
813	812 808 807	751
1C804	506	808 804
75 751		505 811
808	811	505
808	804	803 806
804	804	805
807	815	807
803	816	807
105	803	
2 1C504	504	504
509	818	506
502	802	507
507	801	507
508	502	502
	501	501 503
501	546	802
502	502	
817	814	812
507		

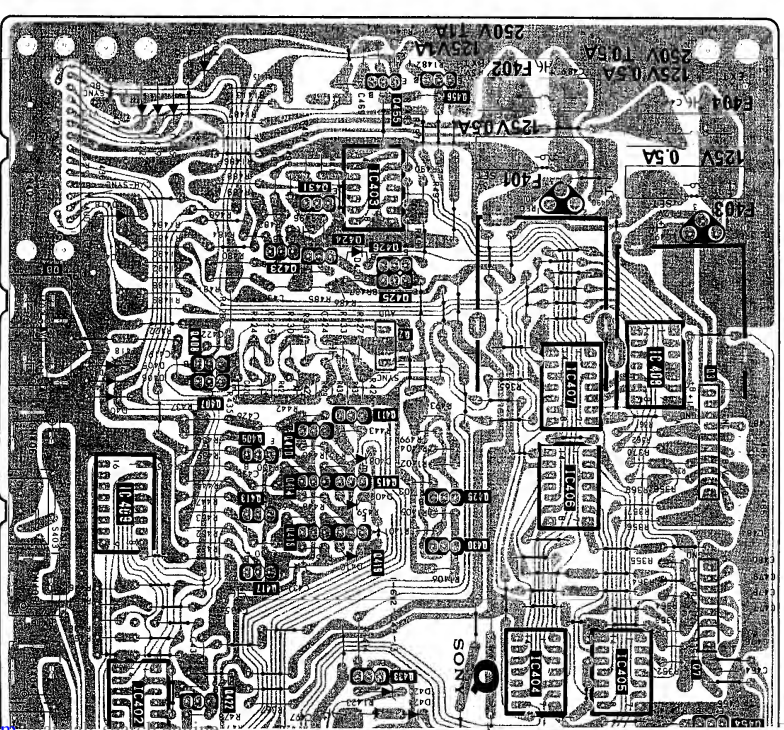


PVM-12710 PVM-12710

TR. G. B PROCESS LOGIC CONTROL  
 [SYNCH. OUT, R. G. B IN, AF IN, COMPTR IN]

- Q Board -

0	435	REC402	426, 428	IC408	IC407	IC406	430	IC405	433
IC	431	IC403	424, 423	411, 410, 409	414, 409, 418	419	417	423, 422	423, 422
D	404, 405, 402	418	420	408, 409, 410	408, 409, 410	408	410		
ADJ									





[CUSTOMER CONTROL,  
INPUT SIGNAL INDICATOR]

H

1 | 2 | 3 | 4 | 5 | 6 | 7

- H Board -

A

B

C

D

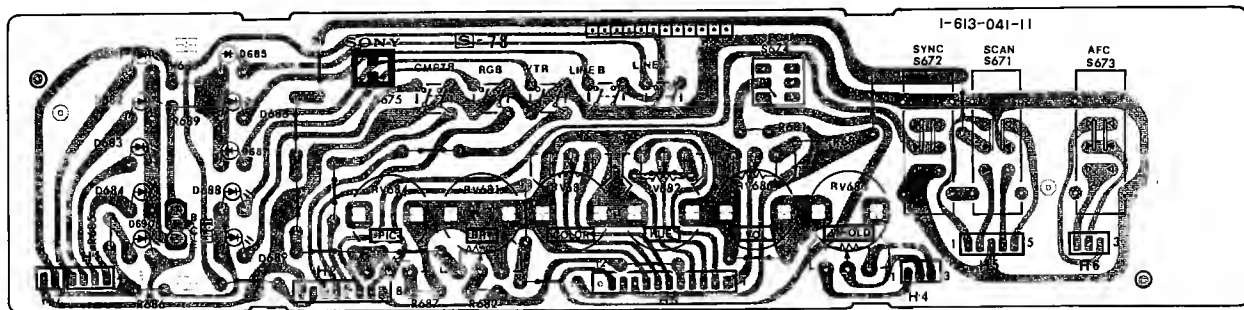
E

F

G

H

I

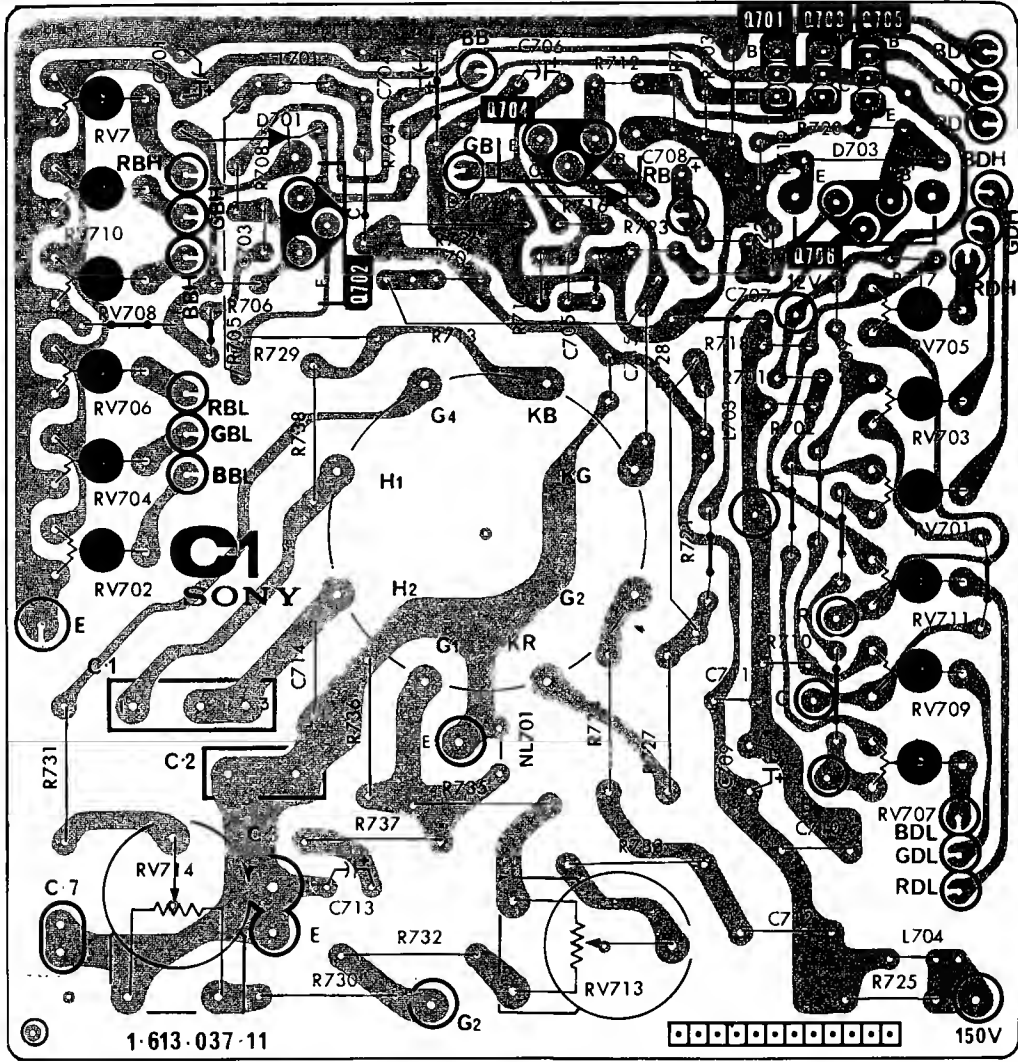


**C1** [R.G.B. OUT, R.G.B. DRIVE,  
R.G.B. BKG]

1 2 3 4 5 6 7

- C1 Board -

A  
B  
C  
D  
E  
F  
G  
H  
I



[COLOR TEMPERATURE SELECT]

C2

1 2 3 4 5 6 7

- C2 Board -

A

B

C

D

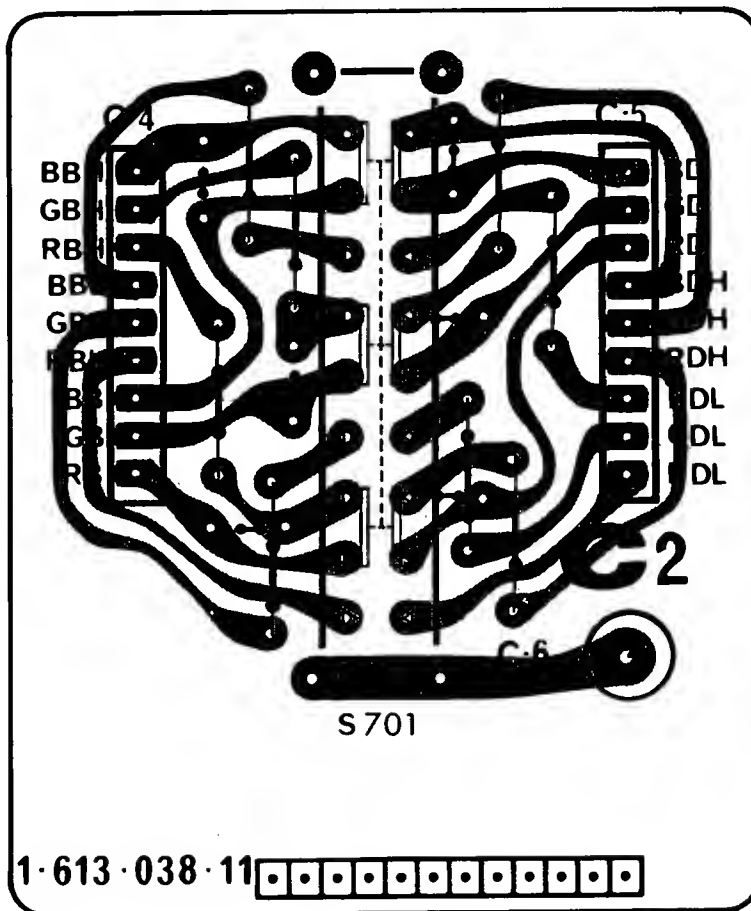
E

F

G

H

I



**F**

[POWER SUPPLY]

**F2**

[KICK]

1

2

3

4

5

6

7

- F Board -

A

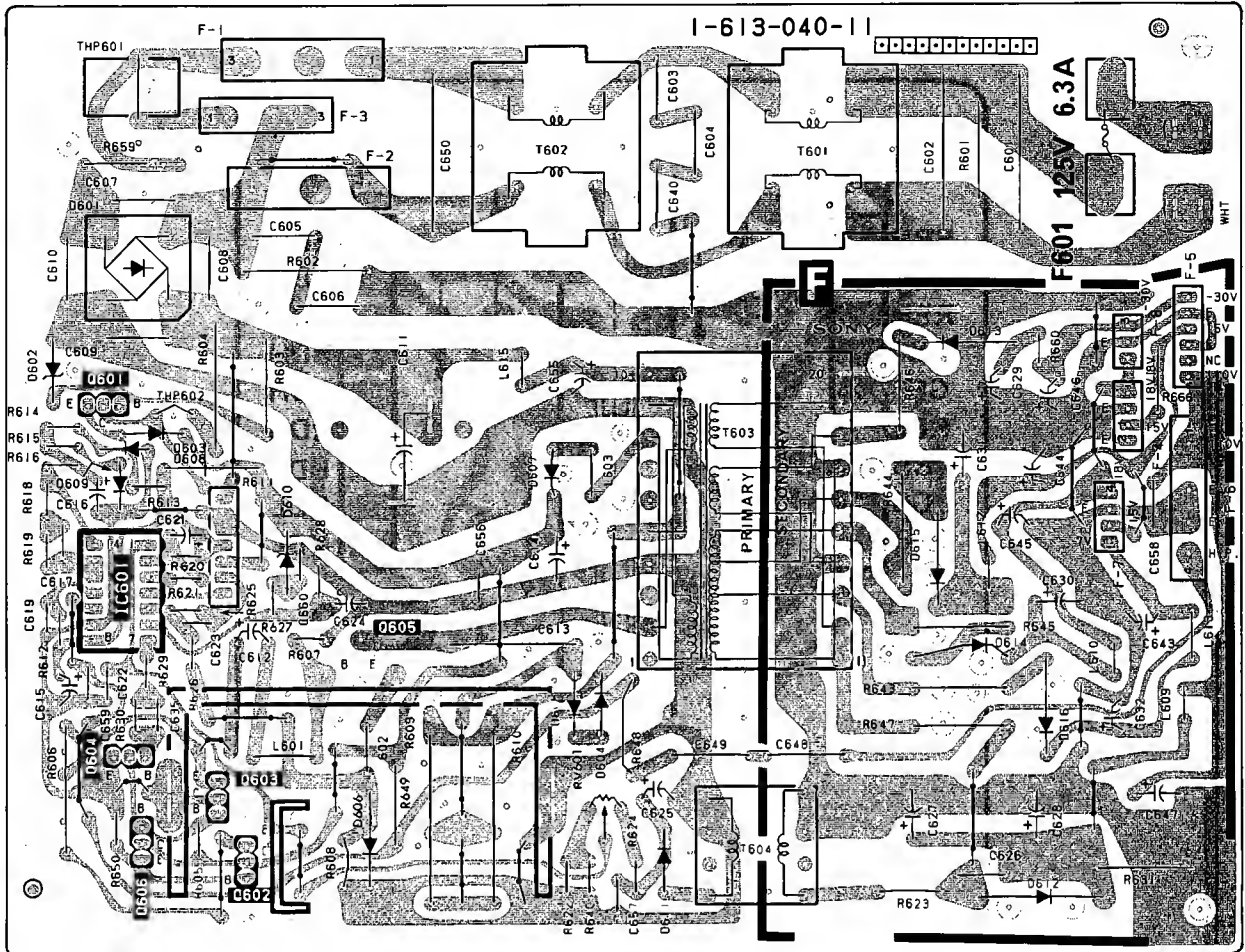
B

C

D

E

F

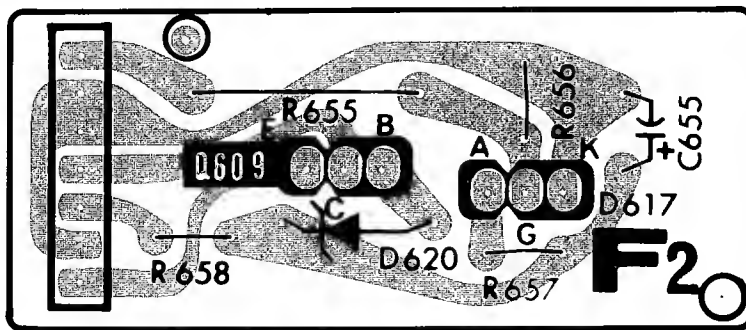


G

- F2 Board -

H

I

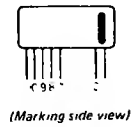




4-6. SEMICONDUCTORS

CX095E  
SN74LS00N  
SN74LS04N  
SN74LS08N  
SN74LS09N  
SN74LS136N  
SN74LS20N  
TC4011BP  
TC4023BP  
TC4024BP  
μPC1394C  
μPD4024BC

μPC1241H



2SA1175  
2SC2785



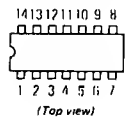
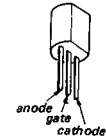
2SD1398  
2SD1402



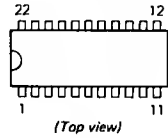
ERA81-004  
ERB12-02RK  
GP08D



N13T1



CX20061



μPC1377C

2SA733  
2SA1015  
2SC1815  
2SC945



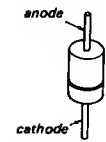
2SK105A



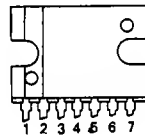
ERC24-06S  
RH-1  
RH-1A  
RH-1Z  
SIB01-02



RGP15J



μPC1378H-L



2SA773  
2SB740  
2SD789



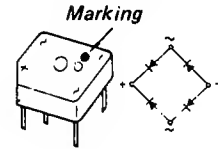
2SK43



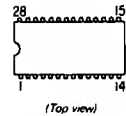
ERC26-15S



S3WB60Z



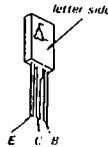
CX22019  
μPC1364C2  
μPC1365C



μPC7805H  
μPC7812H



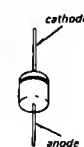
2SB649  
2SC2688  
2SD669



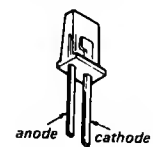
1SS119  
1SS133  
1SS148



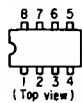
ERC81-004



SG232D



CX7916  
NJM 4558D  
μPC4558C



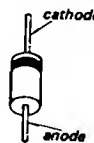
2SA1026



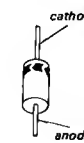
2SB734  
2SD774



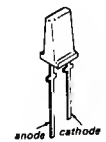
1SS82  
1SS83  
ERD28-08S  
RD4.3E-B1  
RD4.3E-B2  
RD4.7E-B1  
RD5.1E-B2  
RD6.2E-B1  
RD6.2E-N2  
RD10E-N2  
RD12E-B1  
RD18E-B2  
RD20E-B2  
RD22E-B3



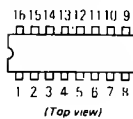
ERD29-08J



SY432D



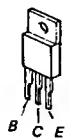
HD14538BP  
SN74LS138N  
TC4538BP  
TDA1082



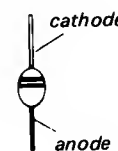
2SA1048  
2SA1115  
2SC2458  
2SC2603  
DTA124ES  
DTC124ES



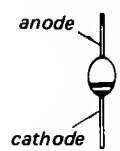
2SC2929  
2SC1134  
2SD1138



GH3F  
U05G



V19B  
V19C  
V19E  
V30N



## SECTION 5 EXPLODED VIEWS

**NOTE:**

- Items with no part number and no description are not stocked because they are seldom required for routine service.
- The construction parts of an assembled part are indicated with a collation number in the remark column.

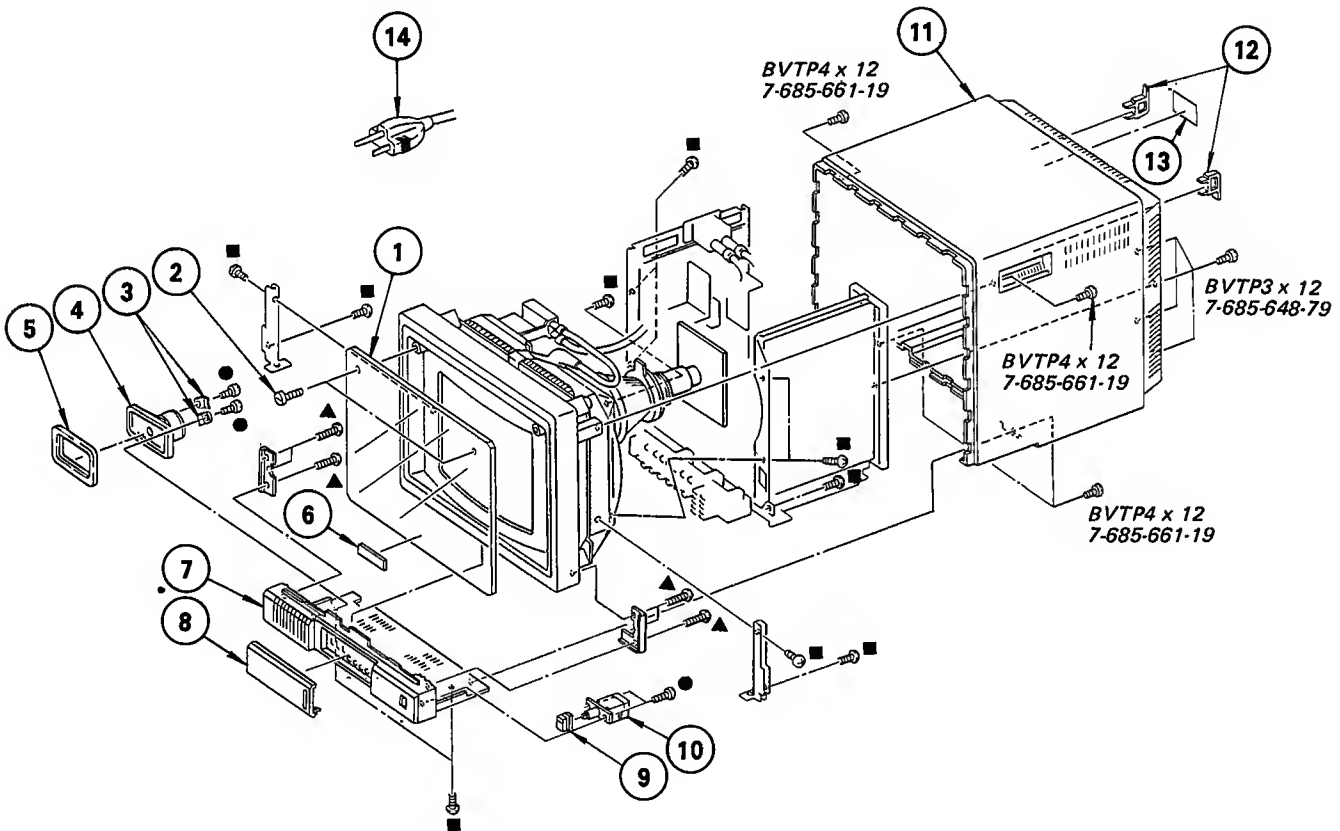
Items marked " \* " are not stocked since they are seldom required for routine service. Some delay should be anticipated when ordering these items.

The components identified by shading and mark **▲** are critical for safety. Replace only with part number specified.

Les composants identifiés par une trame et une marque **▲** sont critiques pour la sécurité. Ne les remplacer que par une pièce portant le numéro spécifié.

**5-1. CABINET**

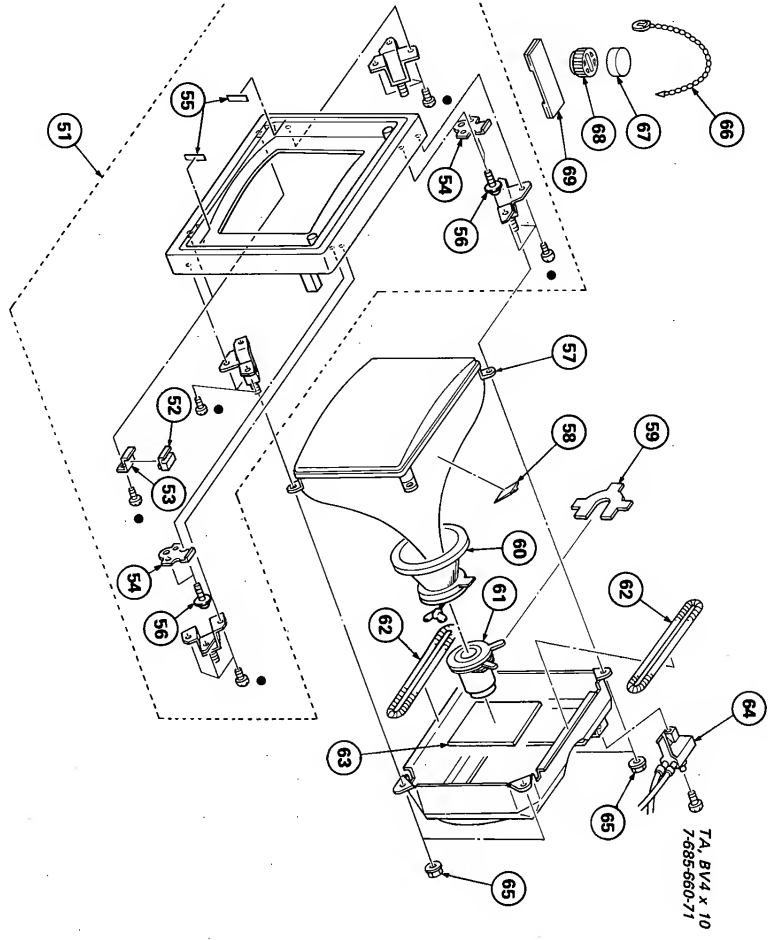
- : TA, BV3 x 8      7-685-646-71
- : TA, BV3 x 12    7-685-648-71
- ▲: TA, BV4 x 12    7-685-661-14



No.	Part No.	Description	Remark	No.	Part No.	Description	Remark
1	4-364-717-00	FILTER		8	X-4364-704-2	DOOR ASSY	
2	4-336-851-51	SCREW, ORNAMENTAL		9	4-364-710-00	BUTTON, POWER	
3	*4-321-611-00	CLAW, RETAINING, SPEAKER		10	▲ 1-553-584-12	SWITCH, PUSH (POWER)	
4	1-503-109-00	SPEAKER		11	X-4365-404-1	CABINET ASSY	12
5	*4-364-741-00	CUSHION, SPEAKER		12	▲ 4-316-003-01	HOLDER, CORD	
6	*X-3701-079-0	EMBLEM (SMALL) ASSY, SONY		13	*4-365-412-01	LABEL, MODEL NUMBER (U/C)	
7	X-4365-403-1	PANEL ASSY, CONTROL	8	14	▲ 1-534-517-31	CORD, AC	

PVM-12710 PVM-12710

5.2. BEZEL  
 TA, BV3 x 12 7-685-648-71

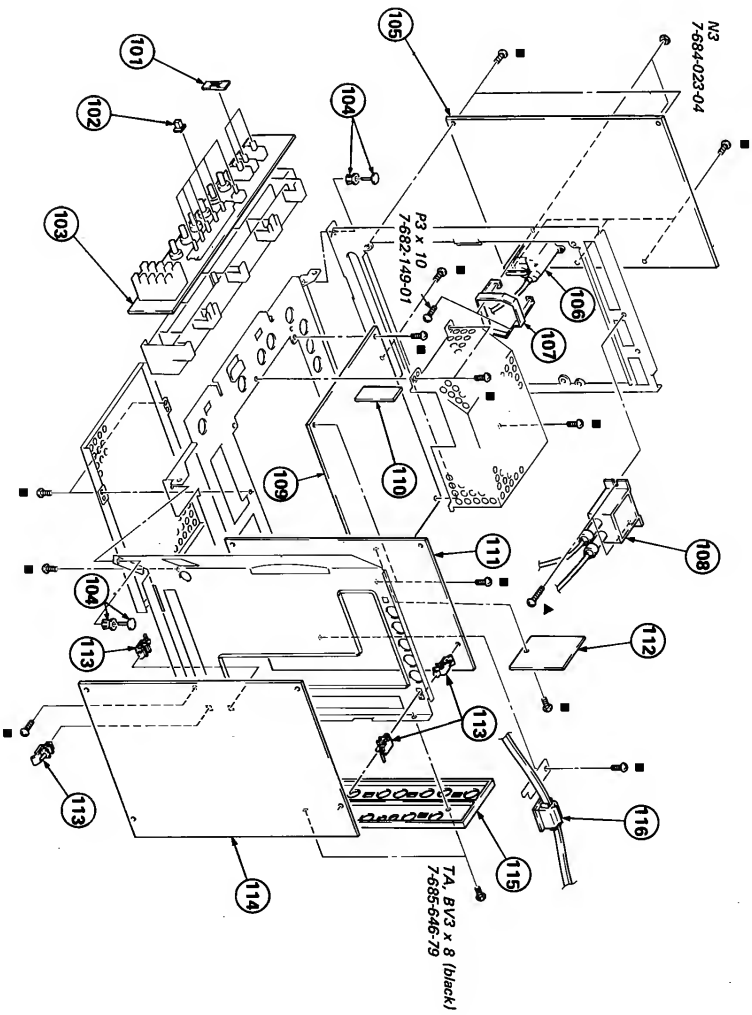


Part No.	Description	Remark
X-4364-702-0	BEZEL ASSY	52-56
4-336-808-00	PROTECTOR FILTER	61
4-364-701-00	HOLDER, FILTER	62
4-341-905-00	NUT, PLATE (A)	63
9-911-837-XX	CUSHION (B)	64
4-302-428-00	FILTER	65
4-8-738-312-05	HEAD WASHER	66
3-703-003-00	TAPPING SCREW	67
1-452-146-21	SPACER, OY	68
1-451-239-11	MAGNET, BMC	69
A1-451-239-11	DEFLECTION, NONE (SY-97A)	

The components identified by shading and mark **▲** are critical for safety. Replace only with part number specified.

Les composants identifiés par une trame et une marque **▲** sont critiques pour la sécurité. Ne les remplacer que par une pièce portant le numéro spécifié.

5.3. CHASSIS  
 TA, BV3 x 8 7-685-646-71  
 TA, BV4 x 12 7-685-661-14



No.	Part No.	Description	Remark
101	*4-337-419-00	INSULATOR (LARGE), SLIDE SWITCH	
102	4-369-627-01	PUSH BUTTON	
103	*1-613-041-11	H BOARD	
104	3-646-090-00	RIVET, ANOLON	
105	*4-1345-472-A	O BOARD, COMPLETE	
106	A1-1439-308-12	TRANSFORMER ASSY, FLYBACK	
107	*4-364-749-00	PLATE, SHIELD, F.B.-T	
108	A1-1462-142-21	CAP BLOCK, HIGH VOLTAGE	
109	*4-1245-230-A	F BOARD, COMPLETE	
110	*1-613-647-11	F2 BOARD, COMPLETE	
111	*4-1275-055-A	Q2 BOARD	
112	*1-613-038-11	PCB	
113	*3-703-141-00	HOLDER, COMPLETE	
114	*4-1135-253-A	B BOARD, COMPLETE	
115	4-365-421-01	CONNECTOR	
116	*4-364-726-00	BUSHING, AC CONRO	

The components identified by shading and mark **▲** are critical for safety. Replace only with part number specified.

Les composants identifiés par une trame et une marque **▲** sont critiques pour la sécurité. Ne les remplacer que par une pièce portant le numéro spécifié.

SECTION 6  
ELECTRICAL PARTS LIST

B

B

components identified by shading and mark **A** are critical for safety. **A** replace only with part number specified.

Les composants identifiés par une trame et une marque **A** sont critiques pour la sécurité. Ne les remplacer que par une pièce portant le numéro spécifié.

\* Items marked " \* " are not stocked since they are seldom required for routine service. Some delay should be anticipated when ordering these items.

\* All variable and adjustable resistors have characteristic curve B, unless otherwise noted.

\* CAPACITORS  
\* MF : µF, PF : µPF  
\* RESISTORS are in ohms  
\* MHM : MH, OH : Ω

When indicating parts by reference number, please include the board name.

Ref.No.	Part No.	Description	Remark	Ref.No.	Part No.	Description	Remark
C113	1-102-978-00	CERAMIC	220PF	C173	1-108-603-00	MYLAR	0.1MF
C114	1-123-332-00	ELECT	47MF	C175	1-101-361-00	CERAMIC	150PF
C115	1-123-356-00	ELECT	10MF	C176	1-102-951-00	CERAMIC	15PF
C117	1-123-356-00	ELECT	10MF	C177	1-102-963-00	CERAMIC	33PF
C119	1-102-944-00	CERAMIC	7PF	C178	1-123-356-00	ELECT	10MF
C120	1-102-944-00	CERAMIC	7PF	C179	1-101-004-00	CERAMIC	0.01MF
C121	1-102-944-00	CERAMIC	7PF	C180	1-123-324-00	ELECT	100MH
C122	1-123-380-00	ELECT	10MF	C183	1-123-379-00	ELECT	0.47MF
C124	1-123-356-00	ELECT	10MF	C184	1-123-379-00	ELECT	0.47MF
C127	1-101-004-00	CERAMIC	0.01MF	C186	1-123-324-00	ELECT	100MH
C128	1-123-380-00	ELECT	10MF	C188	1-123-356-00	ELECT	10MF
C129	1-123-356-00	ELECT	10MF	C189	1-123-356-00	ELECT	10MF
C130	1-102-220-00	MYLAR	0.1MF	C190	1-123-356-00	ELECT	10MF
C131	1-106-220-00	MYLAR	0.1MF	C201	1-123-607-00	ELECT	0.1MF
C132	1-106-220-00	MYLAR	0.1MF	C202	1-123-607-00	ELECT	0.1MF
C133	1-102-944-00	CERAMIC	47MF	C203	1-121-257-00	ELECT	0.1MF
C134	1-102-944-00	CERAMIC	7PF	C204	1-123-381-00	ELECT	4.7MF
C135	1-101-880-00	CERAMIC	0.01MF	C205	1-102-525-00	CERAMIC	2.2PF
C136	1-101-880-00	CERAMIC	47PF	C206	1-102-892-00	CERAMIC	22PF
C137	1-102-959-00	CERAMIC	22PF	C207	1-102-679-00	CERAMIC	120PF
C138	1-101-004-00	CERAMIC	0.01MF	C208	1-101-880-00	CERAMIC	47PF
C139	1-102-579-00	MYLAR	0.01MF	C218	1-123-332-00	ELECT	220MH
C140	1-123-381-00	ELECT	2.2MF	C219	1-123-332-00	ELECT	220MH
C141	1-161-025-00	CERAMIC	0.1MF	C220	1-123-325-00	ELECT	220MH
C142	1-161-025-00	CERAMIC	0.1MF	C221	1-106-220-00	MYLAR	0.1MF
C143	1-101-880-00	CERAMIC	47PF	C222	1-123-324-00	ELECT	220MH
C144	1-101-880-00	CERAMIC	47PF	C223	1-123-332-00	ELECT	47MF
C145	1-102-934-00	CERAMIC	1PF	C224	1-123-380-00	ELECT	4.7MF
C146	1-102-963-00	CERAMIC	33PF	C225	1-123-380-00	ELECT	1MF
C147	1-101-004-00	CERAMIC	0.01MF	C226	1-102-121-00	CERAMIC	0.0022MF
C148	1-123-356-00	ELECT	10MF	C227	1-108-595-00	MYLAR	0.047MF
C149	1-101-004-00	CERAMIC	0.01MF	C228	1-123-332-00	ELECT	1MF
C150	1-101-004-00	CERAMIC	0.01MF	C229	1-123-380-00	ELECT	1MF
C151	1-101-004-00	CERAMIC	0.01MF	C230	1-102-121-00	CERAMIC	0.0022MF
C152	1-101-004-00	CERAMIC	0.01MF	C231	1-123-356-00	ELECT	10MF
C153	1-106-204-00	MYLAR	9PF	C232	1-123-356-00	ELECT	10MF
C155	1-102-946-00	CERAMIC	22MF	C233	1-106-330-00	CERAMIC	0.47MF
C156	1-123-330-00	ELECT	1MF	C234	1-106-330-00	CERAMIC	0.01MF
C157	1-123-380-00	ELECT	1MF	C235	1-101-321-00	ELECT	220MH
C158	1-123-382-00	ELECT	3.3MF	C236	1-101-004-00	CERAMIC	0.01MF
C159	1-124-049-00	ELECT	0.47MF	C237	1-161-330-00	CERAMIC	0.01MF
C160	1-102-115-00	CERAMIC	560PF	C238	1-123-380-00	ELECT	47MF
C161	1-102-971-00	CERAMIC	82PF	C239	1-101-004-00	CERAMIC	0.01MF
C162	1-101-361-00	CERAMIC	150PF				
C163	1-102-971-00	CERAMIC	82PF				
C164	1-121-257-00	ELECT	4.7MF				
C165	1-101-361-00	CERAMIC	150PF				
C166	1-101-888-00	CERAMIC	68PF				
C167	1-101-006-00	CERAMIC	0.047MF				
C169	1-106-220-00	MYLAR	0.1MF				
C170	1-123-380-00	ELECT	10MF				
C172	1-101-888-00	CERAMIC	68PF				
D101	1-415-290-00	DELAY LINE (1H)		D101	1-415-290-00	DELAY LINE (1H)	
D102	1-415-188-00	DELAY LINE		D102	1-415-188-00	DELAY LINE	
D103	1-415-122-31	DELAY LINE, 1H (PAL)		D103	1-415-122-31	DELAY LINE, 1H (PAL)	
EISE							
F201 A 1-532-624-11 FUSE GLASS 100V 0.5A 125V							
LC							
IC001	8-759-700-06	IC MPX7812H		IC001	8-759-700-06	IC MPX7812H	
IC100	8-752-006-10	IC CX20061		IC100	8-752-006-10	IC CX20061	

The components identified by shading and mark **A** are critical for safety. **A** replace only with part number specified.

Les composants identifiés par une trame et une marque **A** sont critiques pour la sécurité. Ne les remplacer que par une pièce portant le numéro spécifié.

Ref.No.	Part No.	Description	Remark	Ref.No.	Part No.	Description	Remark
IC103	8-759-113-65	IC UPC1365C		Q114	8-729-313-42	TRANSISTUR 2S01134	
IC104	8-759-240-24	IC TC4024BP		Q116	8-729-204-83	TRANSISTOR 2SA1048GR	
IC105	8-759-240-23	IC TC4023BP		Q117	8-729-245-83	TRANSISTOR 2SC2458	
IC201	8-759-100-15	IC UPC1364C		Q118	8-729-245-83	TRANSISTOR 2SC2458	
IC202	8-759-101-77	IC OPC1241H		Q120	8-729-245-83	TRANSISTOR 2SC2458	
IC203	8-759-61U-95	IC CX095E		Q121	8-729-204-83	TRANSISTOR 2SA1048GR	
<u>TERMINAL BOARD</u>				Q122	8-729-245-83	TRANSISTOR 2SC2458	
J2	1-536-842-11	TERMINAL BOARD, INPUT /OUTPUT (A)		Q123	8-729-245-83	TRANSISTOR 2SC2458	
<u>COIL</u>				Q124	8-729-115-30	TRANSISTOR 2SK105A-30	
L101	1-408-412-0U	MICRO INDUCTUR 18UH		Q125	8-729-245-83	TRANSISTOR 2SC2458	
L102	1-408-412-00	MICRO INDUCTOR 18UH		Q126	8-729-115-30	TRANSISTOR 2SK105A-30	
L103	1-408-411-00	MICRO INDUCTOR 15UH		Q127	8-729-115-30	TRANSISTOR 2SK105A-30	
L104	1-408-414-0U	MICRO INDUCTOR 270H		Q128	8-729-115-30	TRANSISTOR 2SK105A-30	
L105	1-408-414-00	MICRO INDUCTUR 27UH		Q129	8-729-245-83	TRANSISTOR 2SC2458	
L106	1-408-4U9-UU	MICRO INDUCTOR 10UH		Q130	8-729-245-83	TRANSISTOR 2SC2458	
L107	1-408-413-00	MICRO INDUCTOR 22UH		Q131	8-729-115-30	TRANSISTOR 2SK1U5A-3U	
L108	1-4U8-416-U0	MICRO INDUCTOR 39UH		Q132	8-729-115-30	TRANSISTOR 2SK105A-30	
L11U	1-4U8-412-U0	MICRO INDUCTOR 18UH		Q133	8-729-245-83	TRANSISTOR 2SC2458	
L111	1-4U8-4U6-0U	MICRO INDUCTOR 5.6UH		Q135	8-729-204-83	TRANSISTOR 2SA1048GR	
L112	1-408-4U8-0U	MICRO INDUCTOR 8.2UH		Q136	8-729-2U4-83	TRANSISTOR 2SA1U48GR	
L113	1-4U8-226-UU	MICRO INDUCTOR 82UH		Q137	8-729-2U4-83	TRANSISTOR 2SA1048GR	
L114	1-4U8-419-UU	MICRO INDUCTOR 68UH		Q138	8-729-204-83	TRANSISTOR 2SA1048GR	
L2U1	1-4U8-247-UU	MICRO INDUCTUR 33MMH		Q139	8-729-245-83	TRANSISTOR 2SC2458	
L2U2	1-4U8-163-UU	MICRO INDUCTUR 5.6MMH		Q140	8-729-204-83	TRANSISTOR 2SA1U48GR	
L203	1-408-414-UU	MICRO INDUCTUR 27UH		Q141	8-729-204-83	TRANSISTOR 2SA1U48GR	
<u>TRANSISTOR</u>				Q142	8-729-204-83	TRANSISTOR 2SA1048GR	
Q001	8-729-245-83	TRANSISTOR 2SC2458		Q143	8-729-204-83	TRANSISTOR 2SA1U48GR	
Q002	8-729-204-83	TRANSISTOR 2SA1U48GR		Q144	8-729-245-83	TRANSISTOR 2SC2458	
Q003	8-729-204-83	TRANSISTOR 2SA1048GR		Q145	8-729-245-83	TRANSISTOR 2SC2458	
Q004	8-729-2U4-83	TRANSISTOR 2SA1048GR		Q148	8-729-245-83	TRANSISTOR 2SC2458	
Q005	8-729-245-83	TRANSISTOR 2SC2458		Q149	8-729-204-83	TRANSISTOR 2SA1048GR	
Q006	8-729-2U4-83	TRANSISTOR 2SA1048GR		Q150	8-729-204-83	TRANSISTOR 2SA1U48GR	
Q007	8-729-204-83	TRANSISTOR 2SA1048GR		Q151	8-729-245-83	TRANSISTOR 2SC2458	
Q008	8-729-245-83	TRANSISTOR 2SC2458		Q152	8-729-245-83	TRANSISTOR 2SC2458	
Q009	8-729-204-83	TRANSISTOR 2SA1048GR		Q153	8-729-245-83	TRANSISTOR 2SC2458	
Q010	8-729-245-83	TRANSISTOR 2SC2458		Q154	8-729-245-83	TRANSISTOR 2SC2458	
Q011	8-729-245-83	TRANSISTOR 2SC2458		Q155	8-729-245-83	TRANSISTOR 2SC2458	
Q012	8-729-204-83	TRANSISTOR 2SA1048GR		Q159	8-729-204-83	TRANSISTOR 2SA1048GR	
Q101	8-729-245-83	TRANSISTOR 2SC2458		<u>RESISTOR</u>			
Q102	8-729-245-83	TRANSISTOR 2SC2458		R002	1-247-131-00	CARBON 1K 5%	1/4W
Q103	8-729-245-83	TRANSISTOR 2SC2458		R003	1-247-865-00	CARBON 27K 5%	1/6W
Q104	8-729-245-83	TRANSISTOR 2SC2458		R004	1-247-845-00	CARBON 3.9K 5%	1/6W
Q105	8-729-245-83	TRANSISTOR 2SC2458		R005	1-247-839-00	CARBON 2.2K 5%	1/6W
Q106	8-729-245-83	TRANSISTOR 2SC2458		R006	1-247-875-00	CARBON 68K 5%	1/6W
Q107	8-729-245-83	TRANSISTOR 2SC2458		R007	1-247-863-00	CARBON 22K 5%	1/6W
Q108	8-729-245-83	TRANSISTOR 2SC2458		R009	1-247-850-00	CARBON 6.2K 5%	1/6W
Q109	8-729-204-83	TRANSISTOR 2SA1U48GR		R010	1-247-850-00	CARBON 6.2K 5%	1/6W
Q110	8-729-245-83	TRANSISTOR 2SC2458		R011	1-247-850-00	CARBON 6.2K 5%	1/6W
Q111	8-729-245-83	TRANSISTOR 2SC2458		R012	1-247-871-0U	CARBON 47K 5%	1/6W
				R013	1-247-877-0U	CARBON 82K 5%	1/6W
				R014	1-247-885-0U	CARBON 180K 5%	1/6W
				R015	1-247-873-00	CARBON 56K 5%	1/6W

B

Ref.No.	Part No.	Description	Remark	Ref.No.	Part No.	Description	Remark
R016	1-247-831-00	CARBON	1K 5% 1/6W	R114	1-247-827-00	CARBON	680 5% 1/6W
R017	1-247-104-00	CARBON	75 5% 1/4W	R115	1-247-835-00	CARBON	1.5K 5% 1/6W
R019	1-247-104-00	CARBON	75 5% 1/4W	R116	1-247-803-00	CARBON	68 5% 1/6W
R020	1-247-865-00	CARBON	27K 5% 1/6W	R117	1-247-827-00	CARBON	680 5% 1/6W
R021	1-247-845-00	CARBON	3.9K 5% 1/6W	R118	1-247-827-00	CARBON	680 5% 1/6W
R022	1-247-863-00	CARBON	22K 5% 1/6W	R119	1-247-807-00	CARBON	100 5% 1/6W
R023	1-247-875-00	CARBON	68K 5% 1/6W	R120	1-247-827-00	CARBON	680 5% 1/6W
R024	1-247-850-00	CARBON	6.2K 5% 1/6W	R121	1-247-827-00	CARBON	680 5% 1/6W
R025	1-247-871-00	CARBON	47K 5% 1/6W	R122	1-247-807-00	CARBON	100 5% 1/6W
R026	1-247-173-00	CARBON	56K 5% 1/4W	R123	1-247-831-00	CARBON	1K 5% 1/6W
R027	1-247-877-00	CARBON	82K 5% 1/6W	R124	1-247-823-00	CARBON	470 5% 1/6W
R028	1-247-885-00	CARBON	180K 5% 1/6W	R125	1-247-831-00	CARBON	1K 5% 1/6W
R029	1-247-855-00	CARBON	10K 5% 1/6W	R126	1-247-807-00	CARBON	100 5% 1/6W
R030	1-247-885-00	CARBON	180K 5% 1/6W	R127	1-247-827-00	CARBON	680 5% 1/6W
R031	1-247-877-00	CARBON	82K 5% 1/6W	R128	1-247-814-00	CARBON	200 5% 1/6W
R032	1-247-871-00	CARBON	47K 5% 1/6W	R129	1-247-835-00	CARBON	1.5K 5% 1/6W
R033	1-247-863-00	CARBON	22K 5% 1/6W	R130	1-247-827-00	CARBON	680 5% 1/6W
R034	1-247-875-00	CARBON	68K 5% 1/6W	R131	1-247-823-00	CARBON	470 5% 1/6W
R035	1-247-831-00	CARBON	1K 5% 1/6W	R132	1-247-837-00	CARBON	1.8K 5% 1/6W
R036	1-247-104-00	CARBON	75 5% 1/4W	R133	1-247-799-00	CARBON	47 5% 1/6W
R037	1-247-865-00	CARBON	27K 5% 1/6W	R135	1-247-816-00	CARBON	240 5% 1/6W
R038	1-247-845-00	CARBON	3.9K 5% 1/6W	R136	1-247-839-00	CARBON	2.2K 5% 1/6W
R039	1-247-850-00	CARBON	6.2K 5% 1/6W	R137	1-247-861-00	CARBON	18K 5% 1/6W
R040	1-247-875-00	CARBON	68K 5% 1/6W	R138	1-247-843-00	CARBON	3.3K 5% 1/6W
R041	1-247-104-00	CARBON	75 5% 1/4W	R140	1-247-863-00	CARBON	22K 5% 1/6W
R042	1-247-865-00	CARBON	27K 5% 1/6W	R141	1-247-863-00	CARBON	22K 5% 1/6W
R043	1-247-878-00	CARBON	91K 5% 1/6W	R143	1-247-807-00	CARBON	100 5% 1/6W
R045	1-247-855-00	CARBON	10K 5% 1/6W	R146	1-247-803-00	CARBON	68 5% 1/6W
R046	1-247-853-00	CARBON	8.2K 5% 1/6W	R147	1-247-835-00	CARBON	1.5K 5% 1/6W
R049	1-247-873-00	CARBON	56K 5% 1/6W	R148	1-247-835-00	CARBON	1.5K 5% 1/6W
R051	1-247-839-00	CARBON	2.2K 5% 1/6W	R149	1-247-863-00	CARBON	22K 5% 1/6W
R052	1-247-807-00	CARBON	100 5% 1/6W	R150	1-247-829-00	CARBON	820 5% 1/6W
R053	1-247-871-00	CARBON	47K 5% 1/6W	R151	1-247-823-00	CARBON	470 5% 1/6W
R054	1-247-871-00	CARBON	47K 5% 1/6W	R152	1-247-829-00	CARBON	820 5% 1/6W
R055	1-247-877-00	CARBON	82K 5% 1/6W	R153	1-247-843-00	CARBON	3.3K 5% 1/6W
R056	1-247-159-00	CARBON	15K 5% 1/4W	R154	1-247-863-00	CARBON	22K 5% 1/6W
R061	1-247-226-00	CARBON	270 5% 1/2W	R155	1-247-855-00	CARBON	10K 5% 1/6W
R062	1-247-133-00	CARBON	1.2K 5% 1/4W	R156	1-247-867-00	CARBON	33K 5% 1/6W
R063	1-247-791-00	CARBON	22 5% 1/6W	R157	1-247-867-00	CARBON	33K 5% 1/6W
R100	1-247-853-00	CARBON	8.2K 5% 1/6W	R158	1-247-875-00	CARBON	68K 5% 1/6W
R101	1-247-869-00	CARBON	39K 5% 1/6W	R159	1-247-827-00	CARBON	680 5% 1/6W
R102	1-247-815-00	CARBON	220 5% 1/6W	R160	1-247-869-00	CARBON	39K 5% 1/6W
R103	1-247-833-00	CARBON	1.2K 5% 1/6W	R161	1-247-855-00	CARBON	10K 5% 1/6W
R104	1-247-819-00	CARBON	330 5% 1/6W	R162	1-247-871-00	CARBON	47K 5% 1/6W
R105	1-247-827-00	CARBON	680 5% 1/6W	R165	1-247-903-00	CARBON	1M 5% 1/6W
R106	1-247-843-00	CARBON	3.3K 5% 1/6W	R167	1-247-835-00	CARBON	1.5K 5% 1/6W
R107	1-247-849-00	CARBON	5.6K 5% 1/6W	R168	1-247-867-00	CARBON	33K 5% 1/6W
R108	1-247-855-00	CARBON	10K 5% 1/6W	R170	1-247-859-00	CARBON	15K 5% 1/6W
R109	1-247-823-00	CARBON	470 5% 1/6W	R171	1-247-879-00	CARBON	100K 5% 1/6W
R110	1-247-823-00	CARBON	470 5% 1/6W	R173	1-247-847-00	CARBON	4.7K 5% 1/6W
R111	1-247-839-00	CARBON	2.2K 5% 1/6W	R176	1-247-887-00	CARBON	220K 5% 1/6W
R112	1-247-827-00	CARBON	680 5% 1/6W	R177	1-247-879-00	CARBON	100K 5% 1/6W
R113	1-247-817-00	CARBON	270 5% 1/6W	R178	1-247-883-00	CARBON	150K 5% 1/6W

B

Ref.No.	Part No.	Description	Remark	Ref.No.	Part No.	Description	Remark
R179	1-247-875-00	CARBON	68K 5% 1/6W	R234	1-247-815-00	CARBON	220 5% 1/6W
R180	1-247-831-00	CARBON	1K 5% 1/6W	R235	1-247-823-00	CARBON	470 5% 1/6W
R181	1-247-855-00	CARBON	10K 5% 1/6W	R236	1-247-807-00	CARBON	100 5% 1/6W
R182	1-247-871-00	CARBON	47K 5% 1/6W	R237	1-247-815-00	CARBON	220 5% 1/6W
R183	1-247-843-00	CARBON	3.3K 5% 1/6W	R238	1-247-867-00	CARBON	33K 5% 1/6W
R184	1-247-833-00	CARBON	1.2K 5% 1/6W	R239	1-247-877-00	CARBON	82K 5% 1/6W
R185	1-247-877-00	CARBON	82K 5% 1/6W	R240	1-247-841-00	CARBON	2.7K 5% 1/6W
R186	1-247-823-00	CARBON	470 5% 1/6W	R241	1-247-863-00	CARBON	22K 5% 1/6W
R187	1-247-865-00	CARBON	27K 5% 1/6W	R242	1-247-854-00	CARBON	9.1K 5% 1/6W
R188	1-247-867-00	CARBON	33K 5% 1/6W	R243	1-247-857-00	CARBON	12K 5% 1/6W
R189	1-247-875-00	CARBON	68K 5% 1/6W	R244	1-247-843-00	CARBON	3.3K 5% 1/6W
R190	1-247-867-00	CARBON	33K 5% 1/6W	R245	1-247-849-00	CARBON	5.6K 5% 1/6W
R191	1-247-871-00	CARBON	47K 5% 1/6W	R246	1-247-855-00	CARBON	10K 5% 1/6W
R192	1-247-839-00	CARBON	2.2K 5% 1/6W	R247	1-247-859-00	CARBON	15K 5% 1/6W
R193	1-247-845-00	CARBON	3.9K 5% 1/6W	R248	1-247-839-00	CARBON	2.2K 5% 1/6W
R194	1-247-859-00	CARBON	15K 5% 1/6W	R249	1-247-871-00	CARBON	47K 5% 1/6W
R195	1-247-839-00	CARBON	2.2K 5% 1/6W	R250	1-247-885-00	CARBON	180K 5% 1/6W
R196	1-247-865-00	CARBON	27K 5% 1/6W	R251	1-247-849-00	CARBON	5.6K 5% 1/6W
R197	1-247-827-00	CARBON	680 5% 1/6W	R252	1-247-853-00	CARBON	8.2K 5% 1/6W
R198	1-247-827-00	CARBON	680 5% 1/6W	R253	1-247-843-00	CARBON	3.3K 5% 1/6W
R199	1-247-831-00	CARBON	1K 5% 1/6W	R254	1-247-855-00	CARBON	10K 5% 1/6W
R200	1-247-879-00	CARBON	100K 5% 1/6W	R255	1-247-831-00	CARBON	1K 5% 1/6W
R201	1-247-903-00	CARBON	1M 5% 1/6W	R256	1-247-853-00	CARBON	8.2K 5% 1/6W
R202	1-247-903-00	CARBON	1M 5% 1/6W	R258	1-247-839-00	CARBON	2.2K 5% 1/6W
R203	1-247-855-00	CARBON	10K 5% 1/6W	R259	1-247-853-00	CARBON	8.2K 5% 1/6W
R204	1-247-855-00	CARBON	10K 5% 1/6W	R260	1-247-875-00	CARBON	68K 5% 1/6W
R205	1-247-855-00	CARBON	10K 5% 1/6W	R261	1-247-855-00	CARBON	10K 5% 1/6W
R206	1-247-875-00	CARBON	68K 5% 1/6W	R262	1-247-879-00	CARBON	100K 5% 1/6W
R207	1-247-815-00	CARBON	220 5% 1/6W	R263	1-247-855-00	CARBON	10K 5% 1/6W
R208	1-247-855-00	CARBON	10K 5% 1/6W	R264	1-247-875-00	CARBON	68K 5% 1/6W
R209	1-247-867-00	CARBON	33K 5% 1/6W	R265	1-247-855-00	CARBON	10K 5% 1/6W
R210	1-247-815-00	CARBON	220 5% 1/6W	R266	1-247-855-00	CARBON	10K 5% 1/6W
R211	1-247-815-00	CARBON	220 5% 1/6W	R267	1-247-875-00	CARBON	68K 5% 1/6W
R212	1-247-845-00	CARBON	3.9K 5% 1/6W	R268	1-247-875-00	CARBON	68K 5% 1/6W
R213	1-247-815-00	CARBON	220 5% 1/6W	R269	1-247-855-00	CARBON	10K 5% 1/6W
R214	1-247-815-00	CARBON	220 5% 1/6W	R270	1-247-827-00	CARBON	680 5% 1/6W
R215	1-247-847-00	CARBON	4.7K 5% 1/6W	R271	1-247-179-00	CARBON	100K 5% 1/4W
R216	1-247-879-00	CARBON	100K 5% 1/6W	R272	1-246-517-25	CARBON	68K 5% 1/4W
R217	1-247-879-00	CARBON	100K 5% 1/6W	R273	1-246-545-00	CARBON	1M 5% 1/4W
R218	1-247-855-00	CARBON	10K 5% 1/6W	R274	1-247-171-00	CARBON	47K 5% 1/4W
R219	1-247-849-00	CARBON	5.6K 5% 1/6W	R275	1-247-855-00	CARBON	10K 5% 1/6W
R220	1-247-867-00	CARBON	33K 5% 1/6W	R276	1-247-859-00	CARBON	15K 5% 1/6W
R221	1-247-867-00	CARBON	33K 5% 1/6W	R277	1-247-829-00	CARBON	820 5% 1/6W
R222	1-247-875-00	CARBON	68K 5% 1/6W	R278	1-247-839-00	CARBON	2.2K 5% 1/6W
R223	1-247-849-00	CARBON	5.6K 5% 1/6W	R279	1-247-167-00	CARBON	33K 5% 1/4W
R224	1-247-891-00	CARBON	330K 5% 1/6W	R280	1-247-871-00	CARBON	47K 5% 1/6W
R225	1-247-879-00	CARBON	100K 5% 1/6W	R281	1-247-859-00	CARBON	15K 5% 1/6W
R226	1-247-878-00	CARBON	91K 5% 1/6W	R282	1-247-839-00	CARBON	2.2K 5% 1/8W
R228	1-247-835-00	CARBON	1.5K 5% 1/6W	R283	1-247-847-00	CARBON	4.7K 5% 1/6W
R230	1-247-847-00	CARBON	4.7K 5% 1/6W	R284	1-247-853-00	CARBON	8.2K 5% 1/6W
R231	1-247-873-00	CARBON	56K 5% 1/6W	R285	1-247-843-00	CARBON	3.3K 5% 1/6W
R232	1-247-821-00	CARBON	390 5% 1/6W	R286	1-247-943-00	CARBON	3.3K 5% 1/6W
R233	1-247-815-00	CARBON	220 5% 1/6W	R287	1-247-903-00	CARBON	1M 5% 1/6W





Ref.No.	Part No.	Description	Remark	Ref.No.	Part No.	Description	Remark
C627	1-123-024-00	ELECT 33MF	160V			<u>IC</u>	
C628	1-123-024-00	ELECT 33MF	160V				
C629	1-123-360-00	ELECT 100MF	20% 50V	IC601	8-759-100-75	IC UPC1394C	
C630	1-123-998-00	ELECT 470MF	20% 25V			<u>COIL</u>	
C631	1-123-998-00	ELECT 470MF	20% 25V				
C632	1-123-323-00	ELECT 470MF	20% 16V	L601	1-408-225-00	MICRO INDUCTOR 3.3UH	
C635	1-102-123-00	CERAMIC 0.0033MF	10% 50V	L602	1-407-365-00	COIL, CHDKE (HIGH FREQUENCY)	
C640	1-161-953-51	CERAMIC 0.0047MF	20% 400V	L603	1-407-687-00	MICRO INDUCTOR 3.3UH	
C643	1-123-333-00	ELECT 100MF	20% 16V	L609	1-459-155-00	CDIL (WITH CORE) 45MH	
C644	1-123-334-00	ELECT 220MF	20% 25V	L610	1-459-155-00	COIL (WITH CDRE) 45MH	
C645	1-123-334-00	ELECT 220MF	20% 25V	L612	1-459-155-00	CDIL (WITH CORE) 45MH	
C646	1-123-359-00	ELECT 47MF	20% 50V	L613	1-407-687-00	MICRO INDUCTOR 3.3UH	
C647	1-123-024-00	ELECT 33MF	160V	L615	1-407-364-00	COIL, SPOOK CHOKE 3.30H	
C648	1-161-742-12	CERAMIC D.0022MF	20% 400V			<u>TRANSISTOR</u>	
C649	1-161-742-12	CERAMIC D.0022MF	20% 400V				
C650	1-108-745-52	MYLAR 0.22MF	20% 125V	Q601	8-729-168-82	TRANSISTOR 2SC2688	
C656	1-101-004-00	CERAMIC 0.01MF	50V	Q602	8-729-313-82	TRANSISTOR 2SD1138	
C657	1-101-004-00	CERAMIC D.01MF	50V		*4-347-706-00	HEAT SINK (TR), Q602	
C658	1-108-429-00	MYLAR 0.047MF	10% 200V	Q603	8-729-103-43	TRANSISTOR 2SB734	
C659	1-102-820-00	CERAMIC 330PF	5% 50V	Q604	8-729-177-43	TRANSISTOR 2SD774	
C660	1-101-004-00	CERAMIC 0.01MF	50V	Q605	8-729-802-07	TRANSISTOR 2S01403-CA	
C665	1-123-027-00	ELECT 2.2MF	250V		4-363-414-00	SPACER, MICA, Q605	
		<u>DIODE</u>			*4-367-204-00	HOLDER (REG OOT), TRANSFORMER, Q605	
				Q606	8-729-177-43	TRANSISTOR 2SD774	
D601	8-719-503-06	DIODE S3WB60Z				<u>RESISTOR</u>	
D602	8-719-100-77	DIODE RD18E-B2		R601	1-202-727-51	SOLIO 4.7M 10% 1/2W	
D603	8-719-911-55	DIODE U05G		R602	1-202-730-11	SOLIO 8.2M 10% 1/2W	
D604	8-719-924-06	DIODE ERC24-06S		R603	1-244-919-51	CARBON 82K 5% 1/2W	
D605	8-719-924-06	DIODE ERC24-06S		R604	1-206-671-00	METAL OXIDE 2K 5% 2W F	
D606	8-719-911-55	DIODE U05G		R605	1-247-847-00	CARBON 4.7K 5% 1/6W	
D607	8-719-300-76	DIODE RH-1A		R606	1-217-266-00	WIREWOUND 27 10% 3W F	
D608	8-719-102-74	DIODE RD6.2E-N2		R607	1-247-805-00	CARBON 82 5% 1/6W	
D609	8-719-901-83	DIODE ISS83		R608	1-207-904-00	WIREWOUND 0.12 10% 2W F	
D610	8-719-100-87	DIODE RD22E-B3		R609	1-217-320-11	WIREWOUND 680 10% 5W F	
D611	8-719-901-83	DIODE ISS83		R610	1-217-320-11	WIREWOUND 680 10% 5W F	
D612	8-719-900-26	DIODE ERD29-08J		R611	1-213-145-00	METAL OXIDE 1.5K 5% 1W F	
D613	8-719-901-93	DIODE V19E		R612	1-247-870-00	CARBON 43K 5% 1/6W	
D614	8-719-901-93	DIODE V19E		R613	1-247-819-00	CARBON 330 5% 1/6W	
D615	8-719-981-00	DIODE ERC81-004		R614	1-215-437-00	METAL 4.7K 1% 1/6W	
D616	8-719-981-00	DIODE ERC81-D04		R615	1-215-437-00	METAL 4.7K 1% 1/6W	
		<u>CONNECTOR</u>		R616	1-247-843-00	CARBON 3.3K 5% 1/6W	
F1	*1-506-349-21	3P PLUG (L)		R618	1-247-881-00	CARBON 120K 5% 1/6W	
F3	*1-508-765-00	3P PLOG (M)		R619	1-247-895-00	CARBON 470K 5% 1/6W	
F4	*1-560-290-00	PLOG, CONNECTOR (2.5MM PITCH)		R620	1-247-865-00	CARBON 27K 5% 1/6W	
F6	*1-508-766-00	4P PLUG (M)		R621	1-247-855-00	CARBON 10K 5% 1/6W	
F7	*1-560-124-00	PLOG, CONNECTOR (2.5MM PITCH)		R622	1-215-441-00	METAL 6.8K 1% 1/6W	
F8	*1-560-123-00	PLUG, CONNECTOR (2.5MM) 3P		R624	1-215-456-00	METAL 30K 1% 1/6W	
		<u>FUSE</u>		R625	1-247-855-00	CARBON 10K 5% 1/6W	
F601	1-532-656-11	FUSE, GLASS TUBE 6.3A		R626	1-247-807-00	CARBON 100 5% 1/6W	
	1-533-087-00	HOLDER, FUSE, F601		R627	1-247-871-00	CARBON 47K 5% 1/6W	
				R628	1-247-831-00	CARBON 1K 5% 1/6W	
				R629	1-247-829-00	CARBON 820 5% 1/6W	

The components identified by shading and mark **A** are critical for safety. Replace only with part number specified.

Les composants identifiés par une trame et une marque **A** sont critiques pour la sécurité. Ne les remplacer que par une pièce portant le numéro spécifié.

**F** **F<sub>2</sub>** **Q**

Ref.No.	Part No.	Description	Remark	Ref.No.	Part No.	Description	Remark
R630	1-247-815-00	CARBON 220 5% 1/6W		*A-1275-055-A	Q BOARD, COMPLETE *****		
R631	1-213-163-00	METAL OXIOE 47K 5% 1W	F				
R632	1-247-807-00	CARBON 100 5% 1/8W	F				
R640	1-212-352-00	METAL OXIOE 0.22 5% 1W	F	1-408-408-00	MICRO INDOCTOR 8.20H		
R643	1-212-352-00	METAL OXIOE 0.22 5% 1W	F	1-536-843-11	TERMINAL BOARD, INPOT/OOTPOT (B)		
				*4-603-275-00	LOCK, SCREW		
R644	1-217-418-00	FOSIBLE 0.47 10% 1/2W	F	<u>CAPACITOR</u>			
R645	1-212-356-00	METAL OXIDE 0.47 5% 1W	F	C402	1-123-356-00	ELECT 10MF 20% 25V	
R646	1-212-356-00	METAL OXIOE 0.47 5% 1W	F	C403	1-102-949-00	CERAMIC 12PF 5% 50V	
R647	1-212-352-00	METAL OXIOE 0.22 5% 1W	F	C405	1-123-380-00	ELECT 1MF 20% 50V	
R648	1-202-841-00	SOLIO 180K 1/2W		C407	1-123-356-00	ELECT 10MF 20% 25V	
R649	1-202-433-35	SOLIO 120K 10% 1/4W		C408	1-102-949-00	CERAMIC 12PF 5% 50V	
R650	1-247-831-00	CARBON 1K 5% 1/6W					
R659	1-217-286-11	WIREWOONO 1K 10% 5W	F	C410	1-123-380-00	ELECT 1MF 20% 50V	
R660	1-247-692-11	CARBON 22 5% 1/4W	F	C412	1-123-356-00	ELECT 10MF 20% 25V	
R665	1-247-173-00	CARBON 56K 5% 1/4W		C413	1-102-949-00	CERAMIC 12PF 5% 50V	
R666	1-247-791-00	CARBON 22 5% 1/8W	F	C415	1-123-380-00	ELECT 1MF 20% 50V	
<u>VARIABLE RESISTOR</u>				C417	1-123-332-00	ELECT 47MF 20% 25V	
RV601	1-224-249-XX	RES, ADJ, METAL GLAZE 1K		C419	1-106-212-00	MYLAR 0.047MF 10% 100V	
<u>TRANSFORMER</u>				C420	1-123-380-00	ELECT 1MF 20% 50V	
T601	1-421-556-21	TRANSFORMER, LINE FILTER (LFT)		C422	1-106-212-00	MYLAR 0.047MF 10% 100V	
T602	1-421-556-21	TRANSFORMER, LINE FILTER (LFT)		C423	1-123-380-00	ELECT 1MF 20% 50V	
T603	1-421-692-11	SRT		C424	1-123-323-00	ELECT 470MF 20% 16V	
T604	1-421-678-11	TRANSFORMER, PULS		C426	1-123-234-00	ELECT 10MF 20% 50V	
<u>THERMISTOR</u>				C428	1-123-234-00	ELECT 10MF 20% 50V	
THP601	1-800-686-32	THERMISTOR (POSITIVE)		C430	1-123-234-00	ELECT 10MF 20% 50V	
THP602	1-806-449-11	THERMISTOR (POSITIVE)		C432	1-123-332-00	ELECT 47MF 20% 25V	
*****				C433	1-123-356-00	ELECT 10MF 20% 25V	
*1-613-847-11	F2 BOARD	*****		C434	1-102-820-00	CERAMIC 330PF 5% 50V	
*1-564-315-00	PIN ASSY, BOARD TO BOARD 7P			C435	1-123-332-00	ELECT 47MF 20% 25V	
<u>CAPACITOR</u>				C436	1-101-006-00	CERAMIC 0.047MF 50V	
C655	1-123-381-00	ELECT 2.2MF 20% 50V		C437	1-123-234-00	ELECT 10MF 20% 50V	
<u>OIOOE</u>				C438	1-123-369-00	ELECT 4.7MF 20% 25V	
O617	8-729-101-31	TRANSISTOR N13T1		C441	1-101-006-00	CERAMIC 0.047MF 50V	
O620	8-719-102-90	OIOOE RD10E-N2		C443	1-106-212-00	MYLAR 0.047MF 10% 100V	
<u>TRANSISTOR</u>				C444	1-106-196-00	MYLAR 0.01MF 10% 100V	
Q609	8-729-245-83	TRANSISTOR 2SC2458		C446	1-123-379-00	ELECT 0.47MF 20% 50V	
<u>RESISTOR</u>				C447	1-123-379-00	ELECT 0.47MF 20% 50V	
R655	1-244-919-51	CARBON 82K 5% 1/2W		C448	1-123-379-00	ELECT 0.47MF 20% 50V	
R656	1-247-863-00	CARBON 22K 5% 1/6W		C452	1-123-382-00	ELECT 3.3MF 20% 50V	
R657	1-247-807-00	CARBON 100 5% 1/6W		C453	1-123-228-00	ELECT 1MF 20% 50V	
R658	1-247-883-00	CARBON 150K 5% 1/6W		C455	1-101-006-00	CERAMIC 0.047MF 50V	
				C457	1-102-820-00	CERAMIC 330PF 5% 50V	
				C459	1-102-820-00	CERAMIC 330PF 5% 50V	
				C461	1-102-820-00	CERAMIC 330PF 5% 50V	
				C463	1-123-356-00	ELECT 10MF 20% 25V	
				C464	1-123-332-00	ELECT 47MF 20% 25V	
				C466	1-123-332-00	ELECT 47MF 20% 25V	
				C467	1-101-006-00	CERAMIC 0.047MF 50V	
				C468	1-101-006-00	CERAMIC 0.047MF 50V	
				C469	1-106-196-00	MYLAR 0.01MF 10% 100V	
				C489	1-123-332-00	ELECT 47MF 20% 25V	
				C490	1-123-332-00	ELECT 47MF 20% 25V	

• The components identified by **☒** in this manual have been carefully factory-selected for each set in order to satisfy regulations regarding X-ray radiation. Select the resistance value according to SAFETY RELATED ADJUSTMENT.

The components identified by shading and mark **▲** are critical for safety. Replace only with part number specified.

Les composants identifiés par une trame et une marque **▲** sont critiques pour la sécurité. Ne les remplacer que par une pièce portant le numéro spécifié.



Q

Ref.No.	Part No.	Description	Remark	Ref.No.	Part No.	Description	Remark
Q435	8-729-204-83	TRANSISTOR 2SA1048GR		R410	1-247-878-00	CARBON 91K 5%	1/6W
Q442	8-729-245-83	TRANSISTOR 2SC2458		R411	1-247-833-00	CARBON 1.2K 5%	1/6W
Q443	8-729-245-83	TRANSISTOR 2SC2458		R412	1-247-865-00	CARBON 27K 5%	1/6W
Q444	8-729-245-83	TRANSISTOR 2SC2458		R413	1-247-853-00	CARBON 8.2K 5%	1/6W
Q445	8-729-204-83	TRANSISTOR 2SA1048GR		R414	1-247-829-00	CARBON 820 5%	1/6W
Q446	8-729-204-83	TRANSISTOR 2SA1048GR		R415	1-247-104-00	CARBON 75 5%	1/4W
Q447	8-729-245-83	TRANSISTOR 2SC2458		R416	1-247-131-00	CARBON 1K 5%	1/4W
Q448	8-729-204-83	TRANSISTOR 2SA1048GR		R417	1-247-878-00	CARBON 91K 5%	1/6W
Q449	8-729-245-83	TRANSISTOR 2SC2458		R418	1-247-833-00	CARBON 1.2K 5%	1/6W
Q450	8-729-204-83	TRANSISTOR 2SA1048GR		R419	1-247-865-00	CARBON 27K 5%	1/6W
Q451	8-729-245-83	TRANSISTOR 2SC2458		R420	1-247-853-00	CARBON 8.2K 5%	1/6W
Q452	8-729-204-83	TRANSISTOR 2SA1048GR		R421	1-247-829-00	CARBON 820 5%	1/6W
Q453	8-729-245-83	TRANSISTOR 2SC2458		R422	1-247-173-00	CARBON 56K 5%	1/4W
Q454	8-729-204-83	TRANSISTOR 2SA1048GR		R423	1-247-885-00	CARBON 180K 5%	1/6W
Q455	8-729-245-83	TRANSISTOR 2SC2458		R424	1-247-877-00	CARBON 82K 5%	1/6W
Q456	8-729-245-83	TRANSISTOR 2SC2458		R425	1-247-871-00	CARBON 47K 5%	1/6W
Q457	8-729-204-83	TRANSISTOR 2SA1048GR		R426	1-247-851-00	CARBON 6.8K 5%	1/6W
				R427	1-247-847-00	CARBON 4.7K 5%	1/6W
				R428	1-247-173-00	CARBON 56K 5%	1/4W
				R429	1-247-885-00	CARBON 180K 5%	1/6W
				R430	1-247-877-00	CARBON 82K 5%	1/6W
				R431	1-247-871-00	CARBON 47K 5%	1/6W
				R432	1-247-851-00	CARBON 6.8K 5%	1/6W
				R433	1-247-847-00	CARBON 4.7K 5%	1/6W
				R434	1-247-807-00	CARBON 100 5%	1/6W
				R435	1-247-879-00	CARBON 100K 5%	1/6W
				R436	1-247-103-00	CARBON 68 5%	1/4W
				R437	1-247-131-00	CARBON 1K 5%	1/4W
				R438	1-247-839-00	CARBON 2.2K 5%	1/6W
				R439	1-247-155-00	CARBON 10K 5%	1/4W
				R440	1-247-878-00	CARBON 91K 5%	1/6W
				R442	1-247-865-00	CARBON 27K 5%	1/6W
				R443	1-247-853-00	CARBON 8.2K 5%	1/6W
				R444	1-247-103-00	CARBON 68 5%	1/4W
				R445	1-247-131-00	CARBON 1K 5%	1/4W
				R446	1-247-839-00	CARBON 2.2K 5%	1/6W
				R447	1-247-155-00	CARBON 10K 5%	1/4W
				R448	1-247-878-00	CARBON 91K 5%	1/6W
				R450	1-247-865-00	CARBON 27K 5%	1/6W
				R451	1-247-853-00	CARBON 8.2K 5%	1/6W
				R452	1-247-103-00	CARBON 68 5%	1/4W
				R453	1-247-131-00	CARBON 1K 5%	1/4W
				R454	1-247-839-00	CARBON 2.2K 5%	1/6W
				R455	1-247-155-00	CARBON 10K 5%	1/4W
				R456	1-247-878-00	CARBON 91K 5%	1/6W
				R458	1-247-865-00	CARBON 27K 5%	1/6W
				R459	1-247-853-00	CARBON 8.2K 5%	1/6W
				R460	1-247-107-00	CARBON 100 5%	1/4W
				R461	1-247-839-00	CARBON 2.2K 5%	1/6W
				R462	1-247-831-00	CARBON 1K 5%	1/6W
				R463	1-247-845-00	CARBON 3.9K 5%	1/6W
				R465	1-247-835-00	CARBON 1.5K 5%	1/6W
				R466	1-247-819-00	CARBON 330 5%	1/6W
R351	1-247-855-00	CARBON 10K 5%	1/6W				
R352	1-247-815-00	CARBON 220 5%	1/6W				
R353	1-247-855-00	CARBON 10K 5%	1/6W				
R354	1-247-815-00	CARBON 220 5%	1/6W				
R355	1-247-807-00	CARBON 100 5%	1/6W				
R356	1-247-127-00	CARBON 680 5%	1/4W				
R357	1-247-127-00	CARBON 680 5%	1/4W				
R358	1-247-827-00	CARBON 680 5%	1/6W				
R359	1-247-827-00	CARBON 680 5%	1/6W				
R361	1-247-127-00	CARBON 680 5%	1/4W				
R362	1-247-127-00	CARBON 680 5%	1/4W				
R364	1-247-827-00	CARBON 680 5%	1/6W				
R365	1-247-127-00	CARBON 680 5%	1/4W				
R366	1-247-115-00	CARBON 220 5%	1/4W				
R367	1-247-115-00	CARBON 220 5%	1/4W				
R368	1-247-855-00	CARBON 10K 5%	1/6W				
R369	1-247-815-00	CARBON 220 5%	1/6W				
R370	1-247-815-00	CARBON 220 5%	1/6W				
R371	1-247-843-00	CARBON 3.3K 5%	1/6W				
R372	1-246-485-25	CARBON 3.3K 5%	1/4W				
R373	1-246-537-00	CARBON 470K 5%	1/4W				
R374	1-247-871-00	CARBON 47K 5%	1/6W				
R377	1-247-845-00	CARBON 3.9K 5%	1/6W				
R378	1-247-855-00	CARBON 10K 5%	1/6W				
R379	1-247-127-00	CARBON 680 5%	1/4W				
R401	1-247-104-00	CARBON 75 5%	1/4W				
R402	1-247-131-00	CARBON 1K 5%	1/4W				
R403	1-247-878-00	CARBON 91K 5%	1/6W				
R404	1-247-833-00	CARBON 1.2K 5%	1/6W				
R405	1-247-865-00	CARBON 27K 5%	1/6W				
R406	1-247-853-00	CARBON 8.2K 5%	1/6W				
R407	1-247-829-00	CARBON 820 5%	1/6W				
R408	1-247-104-00	CARBON 75 5%	1/4W				
R409	1-247-131-00	CARBON 1K 5%	1/4W				

Ref.No.	Part No.	Description	Remark	Ref.No.	Part No.	Description	Remark
R467	1-247-829-00	CARBON	820 5% 1/6W	R1433	1-247-843-00	CARBON	3.3K 5% 1/6W
R468	1-247-835-00	CARBON	1.5K 5% 1/6W	R1434	1-247-848-00	CARBON	5.1K 5% 1/6W
R469	1-247-819-00	CARBON	330 5% 1/6W	R1435	1-247-833-00	CARBON	1.2K 5% 1/6W
R470	1-247-829-00	CARBON	820 5% 1/6W	R1436	1-247-869-00	CARBON	39K 5% 1/6W
R471	1-247-835-00	CARBON	1.5K 5% 1/6W	R1437	1-247-855-00	CARBON	10K 5% 1/6W
R472	1-247-819-00	CARBON	330 5% 1/6W	R1438	1-247-849-00	CARBON	5.6K 5% 1/6W
R473	1-247-829-00	CARBON	820 5% 1/6W	R1439	1-247-847-00	CARBON	4.7K 5% 1/6W
R474	1-247-847-00	CARBON	4.7K 5% 1/6W	R1441	1-247-863-00	CARBON	22K 5% 1/6W
R475	1-247-853-00	CARBON	B.2K 5% 1/6W	R1442	1-247-901-00	CARBON	B20K 5% 1/6W
R476	1-247-831-00	CARBON	1K 5% 1/6W	R1443	1-247-901-00	CARBON	820K 5% 1/6W
R477	1-247-847-00	CARBON	4.7K 5% 1/6W	R1444	1-247-901-00	CARBON	B20K 5% 1/6W
R478	1-247-847-00	CARBON	4.7K 5% 1/6W	R1445	1-247-867-00	CARBON	33K 5% 1/6W
R479	1-247-847-00	CARBON	4.7K 5% 1/6W	R1446	1-247-867-00	CARBON	33K 5% 1/6W
R480	1-247-103-00	CARBON	68 5% 1/4W	R1447	1-246-527-00	CARBON	180K 5% 1/4W
R481	1-247-139-00	CARBON	2.2K 5% 1/4W	R1448	1-247-849-00	CARBON	5.6K 5% 1/6W
R482	1-247-839-00	CARBON	2.2K 5% 1/6W	R1449	1-247-839-00	CARBON	2.2K 5% 1/6W
R483	1-247-807-00	CARBON	100 5% 1/6W	R1451	1-247-831-00	CARBON	1K 5% 1/6W
R484	1-247-855-00	CARBON	10K 5% 1/6W	R1452	1-247-843-00	CARBON	3.3K 5% 1/6W
R485	1-247-878-00	CARBON	91K 5% 1/6W	R1453	1-247-831-00	CARBON	1K 5% 1/6W
R486	1-247-865-00	CARBON	27K 5% 1/6W	R1454	1-247-843-00	CARBON	3.3K 5% 1/6W
R487	1-247-853-00	CARBON	B.2K 5% 1/6W	R1455	1-247-839-00	CARBON	2.2K 5% 1/6W
R488	1-247-115-00	CARBON	220 5% 1/4W	R1456	1-247-823-00	CARBON	470 5% 1/6W
R489	1-247-147-00	CARBON	4.7K 5% 1/4W	R1457	1-247-839-00	CARBON	2.2K 5% 1/6W
R490	1-247-835-00	CARBON	1.5K 5% 1/6W	R1458	1-247-799-00	CARBON	47 5% 1/6W
R491	1-247-839-00	CARBON	2.2K 5% 1/6W	R1459	1-247-825-00	CARBON	560 5% 1/6W
R492	1-247-829-00	CARBON	820 5% 1/6W	R1460	1-247-791-00	CARBON	22 5% 1/6W
R493	1-247-819-00	CARBON	330 5% 1/6W	R1461	1-247-839-00	CARBON	2.2K 5% 1/6W
R494	1-247-847-00	CARBON	4.7K 5% 1/6W	R1462	1-247-823-00	CARBON	470 5% 1/6W
R495	1-247-863-00	CARBON	22K 5% 1/6W	R1463	1-247-839-00	CARBON	2.2K 5% 1/6W
R496	1-247-871-00	CARBON	47K 5% 1/6W	R1464	1-247-799-00	CARBON	47 5% 1/6W
R497	1-247-855-00	CARBON	10K 5% 1/6W	R1465	1-247-825-00	CARBON	560 5% 1/6W
R499	1-247-819-00	CARBON	330 5% 1/6W	R1466	1-247-791-00	CARBON	22 5% 1/6W
R661	1-247-113-00	CARBON	180 5% 1/4W	R1467	1-247-839-00	CARBON	2.2K 5% 1/6W
R662	1-247-113-00	CARBON	180 5% 1/4W	R1468	1-247-823-00	CARBON	470 5% 1/6W
R663	1-247-113-00	CARBON	180 5% 1/4W	R1469	1-247-839-00	CARBON	2.2K 5% 1/6W
R664	1-247-821-00	CARBON	390 5% 1/6W	R1470	1-247-799-00	CARBON	47 5% 1/6W
R665	1-247-821-00	CARBON	390 5% 1/6W	R1471	1-247-825-00	CARBON	560 5% 1/6W
R666	1-247-821-00	CARBON	390 5% 1/6W	R1472	1-247-791-00	CARBON	22 5% 1/6W
R1401	1-247-839-00	CARBON	2.2K 5% 1/6W	R1473	1-247-853-00	CARBON	8.2K 5% 1/6W
R1402	1-247-831-00	CARBON	1K 5% 1/6W	R1474	1-247-851-00	CARBON	6.8K 5% 1/6W
R1403	1-247-861-00	CARBON	18K 5% 1/6W	R1475	1-247-855-00	CARBON	10K 5% 1/6W
R1404	1-247-845-00	CARBON	3.9K 5% 1/6W	R1476	1-247-815-00	CARBON	220 5% 1/6W
R1405	1-247-855-00	CARBON	10K 5% 1/6W	R1477	1-247-815-00	CARBON	220 5% 1/6W
R1406	1-247-843-00	CARBON	3.3K 5% 1/6W	R1478	1-247-815-00	CARBON	220 5% 1/6W
R1413	1-247-145-00	CARBON	3.9K 5% 1/4W	R1479	1-247-847-00	CARBON	4.7K 5% 1/6W
R1414	1-247-123-00	CARBON	470 5% 1/4W	R1480	1-247-847-00	CARBON	4.7K 5% 1/6W
R1415	1-247-149-00	CARBON	5.6K 5% 1/4W	R1481	1-247-831-00	CARBON	1K 5% 1/6W
R1417	1-247-823-00	CARBON	470 5% 1/6W	R1482	1-247-855-00	CARBON	10K 5% 1/6W
R1419	1-247-835-00	CARBON	1.5K 5% 1/6W	R1483	1-247-855-00	CARBON	10K 5% 1/6W
R1420	1-247-847-00	CARBON	4.7K 5% 1/6W	R1484	1-247-155-00	CARBON	10K 5% 1/4W
R1421	1-247-831-00	CARBON	1K 5% 1/6W	R1485	1-247-115-00	CARBON	220 5% 1/4W
R1423	1-247-827-00	CARBON	680 5% 1/6W	R1486	1-247-155-00	CARBON	10K 5% 1/4W
R1432	1-247-855-00	CARBON	10K 5% 1/6W	R1487	1-247-115-00	CARBON	220 5% 1/4W



Ref.No.	Part No.	Description	Remark	Ref.No.	Part No.	Description	Remark
R1488	1-247-155-00	CARBON 10K 5%	1/4W				
R1489	1-247-115-00	CARBON 220 5%	1/4W				
R1490	1-247-155-00	CARBON 10K 5%	1/4W				
R1492	1-247-115-00	CARBON 220 5%	1/4W				
<u>VARIABLE RESISTOR</u>							
RV401	1-226-853-00	RES. AOJ. CARBON 47K					
RV402	1-226-852-00	RES. AOJ. CARBON 22K					
RV403	1-226-852-00	RES. AOJ. CARBON 22K					
RV404	1-226-852-00	RES. AOJ. CARBON 22K					
RV405	1-226-852-00	RES. AOJ. CARBON 22K					
<u>SWITCH</u>							
S401	1-553-725-00	SWITCH. SLIOE					
S402	1-553-725-00	SWITCH. SLIOE					
S403	1-553-725-00	SWITCH. SLIDE					
*****							
	*A-1330-541-A	C1 BOARD, COMPLETE					
		*****					
	1-526-645-00	SOCKET, CRT					
<u>CONNECTOR</u>							
C1	*1-508-765-00	3P PLOG (M)					
C2	*1-508-786-00	2P PLUG (M)					
<u>CAPACITOR</u>							
C701	1-123-356-00	ELECT 10MF	20% 25V				
C703	1-102-116-00	CERAMIC 680PF	10% 50V				
C704	1-124-039-51	ELECT 10MF	20% 16V				
C705	1-102-116-00	CERAMIC 680PF	10% 50V				
C706	1-124-039-51	ELECT 10MF	20% 16V				
C707	1-102-116-00	CERAMIC 680PF	10% 50V				
C708	1-124-039-51	ELECT 10MF	20% 16V				
C709	1-121-759-00	ELECT 4.7MF	250V				
C710	1-108-433-00	MYLAR 0.1MF	10% 200V				
C711	1-102-038-00	CERAMIC 0.001MF	500V				
C712	1-129-737-00	FILM 0.047MF	20% 630V				
C713	1-123-356-00	ELECT 10MF	20% 50V				
C714	1-102-249-00	CERAMIC 680PF	20% 2KV				
C715	1-102-219-00	CERAMIC 680PF	20% 1KV				
C716	1-102-074-00	CERAMIC 0.001MF	10% 50V				
<u>OIOOE</u>							
0701	8-719-300-76	OIOOE RH-1A					
0702	8-719-300-76	OIOOE RH-1A					
0703	8-719-300-76	OIOOE RH-1A					
<u>COIL</u>							
L701	1-407-701-00	MICRO INOOCTOR 470H					
L702	1-407-701-00	MICRO INOOCTOR 470H					
L703	1-407-701-00	MICRO INOOCTOR 470H					
L704	1-407-701-00	MICRO INOOCTOR 470H					
				<u>TRANSISTOR</u>			
	0701	8-729-245-83	TRANSISTOR 2SC2458				
	0702	8-729-168-82	TRANSISTOR 2SC2688				
		4-370-970-01	SPACER, TR. 0702				
	0703	8-729-245-83	TRANSISTOR 2SC2458				
	0704	8-729-168-82	TRANSISTOR 2SC2688				
		4-370-970-01	SPACER, TR. 0704				
	0705	8-729-245-83	TRANSISTOR 2SC2458				
	0706	8-729-168-82	TRANSISTOR 2SC2688				
		4-370-970-01	SPACER, TR. 0706				
				<u>RESISTOR</u>			
	R701	1-247-839-00	CARBON 2.2K 5%			1/6W	
	R702	1-247-823-00	CARBON 470 5%			1/6W	
	R703	1-247-823-00	CARBON 470 5%			1/6W	
	R704	1-247-793-00	CARBON 27 5%			1/6W	
	R705	1-206-743-00	METAL OXIOE 5.6K 5%			3W	F
	R706	1-247-813-00	CARBON 180 5%			1/6W	
	R708	1-247-838-00	CARBON 2K 5%			1/6W	
	R709	1-247-839-00	CARBON 2.2K 5%			1/6W	
	R710	1-247-823-00	CARBON 470 5%			1/6W	
	R711	1-247-823-00	CARBON 470 5%			1/6W	
	R712	1-247-793-00	CARBON 27 5%			1/6W	
	R713	1-206-743-00	METAL OXIOE 5.6K 5%			3W	F
	R714	1-247-813-00	CARBON 180 5%			1/6W	
	R716	1-247-838-00	CARBON 2K 5%			1/6W	
	R717	1-247-839-00	CARBON 2.2K 5%			1/6W	
	R718	1-247-823-00	CARBON 470 5%			1/6W	
	R719	1-247-823-00	CARBON 470 5%			1/6W	
	R720	1-247-793-00	CARBON 27 5%			1/6W	
	R721	1-206-743-00	METAL OXIOE 5.6K 5%			3W	F
	R722	1-247-813-00	CARBON 180 5%			1/6W	
	R723	1-247-779-00	CARBON 6.8 5%			1/6W	
	R724	1-247-838-00	CARBON 2K 5%			1/6W	
	R725	1-247-095-00	CARBON 33 5%			1/4W	
	R726	1-244-925-00	CARBON 150K 5%			1/2W	
	R727	1-202-824-00	SOLIO 3.3K			1/2W	
	R728	1-202-824-00	SOLIO 3.3K			1/2W	
	R729	1-202-824-00	SOLIO 3.3K			1/2W	
	R730	1-202-815-51	SOLIO 47K			1/2W	
	R731	1-202-719-00	SOLIO 1M 10%			1/2W	
	R732	1-202-722-00	SOLIO 1.8M 10%			1/2W	
	R733	1-202-719-00	SOLIO 1M 10%			1/2W	
	R734	1-202-824-00	SOLIO 3.3K			1/2W	
	R735	1-202-720-00	SOLIO 1.2M 10%			1/2W	
	R736	1-202-834-00	SOLIO 27K			1/2W	
	R737	1-202-549-00	SOLIO 100 5%			1/2W	
	R738	1-202-842-51	SOLIO 220K			1/2W	
				<u>VARIABLE RESISTOR</u>			
	RV701	1-228-719-00	RES. AOJ. CERAMIC CARBON 470				
	RV702	1-228-723-00	RES. AOJ. CERAMIC CARBON 4.7K				



Ref.No.	Part No.	Description	Remark	Ref.No.	Part No.	Description	Remark
RV703	1-228-719-00	RES, ADJ, CERAMIC CARBON 470		C525	1-108-583-00	MYLAR 0.015MF	5% 50V
RV704	1-228-723-00	RES, ADJ, CERAMIC CARBON 4.7K		C526	1-131-356-00	TANTALUM 3.3MF	10% 25V
RV705	1-228-719-00	RES, ADJ, CERAMIC CARBON 470		C527	1-123-323-00	ELECT 470MF	20% 16V
RV706	1-228-723-00	RES, ADJ, CERAMIC CARBON 4.7K		C528	1-123-382-00	ELECT 3.3MF	20% 50V
RV707	1-228-719-00	RES, ADJ, CERAMIC CARBON 470		C529	1-123-228-00	ELECT 1MF	20% 50V
RV708	1-228-723-00	RES, ADJ, CERAMIC CARBON 4.7K		C530	1-108-579-00	MYLAR 0.01MF	5% 50V
RV709	1-228-719-00	RES, ADJ, CERAMIC CARBON 470		C531	1-108-595-00	MYLAR 0.047MF	5% 50V
RV710	1-228-723-00	RES, ADJ, CERAMIC CARBON 4.7K		C532	1-123-380-00	ELECT 1MF	20% 50V
RV711	1-228-719-00	RES, ADJ, CERAMIC CARBON 470		C533	1-123-356-00	ELECT 10MF	20% 16V
RV712	1-228-723-00	RES, ADJ, CERAMIC CARBON 4.7K		C534	1-106-172-00	MYLAR 0.001MF	5% 50V
RV713	1-226-114-00	RES, ADJ, METAL GLAZE 2.2M		C535	1-123-356-00	ELECT 10MF	20% 25V
RV714	1-226-063-00	RES, ADJ, CARBON 2.2M		C751	1-123-380-00	ELECT 1MF	20% 50V
*****				C752	1-124-043-51	ELECT 2.2MF	20% 50V
*****				C753	1-124-038-00	ELECT 1MF	20% 50V
*****				C755	1-108-603-00	MYLAR 0.1MF	5% 50V
*****				C756	1-124-038-00	ELECT 1MF	20% 50V
*****				C757	1-162-117-00	CERAMIC 100PF	10% 500V
*****				C758	1-108-824-00	MYLAR 0.47MF	5% 50V
*****				C759	1-123-356-00	ELECT 10MF	20% 25V
*****				C760	1-124-126-00	ELECT 47MF	20% 25V
*****				C761	1-123-382-00	ELECT 3.3MF	20% 50V
*****				C762	1-123-330-00	ELECT 22MF	20% 25V
*****				C764	1-123-334-00	ELECT 220MF	20% 25V
*****				C766	1-123-380-00	ELECT 1MF	20% 50V
*****				C767	1-123-380-00	ELECT 1MF	20% 50V
*****				C768	1-106-220-00	MYLAR 0.1MF	10% 100V
*****				C769	1-124-126-00	ELECT 47MF	20% 25V
*****				C801	1-136-173-00	FILM 0.47MF	5% 50V
*****				C802	1-123-381-00	ELECT 2.2MF	20% 50V
*****				C803	1-101-888-00	CERAMIC 68PF	5% 50V
*****				C804	1-123-380-00	ELECT 1MF	20% 50V
*****				C805	1-102-531-00	CERAMIC 150PF	5% 50V
*****				C806	1-106-172-00	MYLAR 0.001MF	5% 50V
*****				C807	1-102-531-00	CERAMIC 150PF	5% 50V
*****				C808	1-123-369-00	ELECT 4.7MF	20% 25V
*****				C810	1-106-188-00	MYLAR 0.0047MF	5% 50V
*****				C811	1-106-196-00	MYLAR 0.01MF	10% 100V
*****				C813	1-106-204-00	MYLAR 0.022MF	10% 100V
*****				C814	1-106-180-00	MYLAR 0.0022MF	10% 100V
*****				C815	1-129-794-00	FILM 0.0033MF	5% 100V
*****				C816	1-123-381-00	ELECT 2.2MF	20% 50V
*****				C817	1-123-381-00	ELECT 2.2MF	20% 50V
*****				C818	1-123-330-00	ELECT 22MF	20% 25V
*****				C819	1-123-330-00	ELECT 22MF	20% 25V
*****				C821	1-123-381-00	ELECT 2.2MF	20% 50V
*****				C822	1-123-380-00	ELECT 1MF	20% 50V
*****				C823	1-123-356-00	ELECT 10MF	20% 16V
*****				C824	1-123-356-00	ELECT 10MF	20% 50V
*****				C825	1-123-322-00	ELECT 330MF	20% 16V
*****				C827	1-123-379-00	ELECT 0.47MF	20% 50V
*****				C828	1-102-820-00	CERAMIC 330PF	5% 50V
*****				C829	1-106-385-00	MYLAR 0.056MF	10% 200V
*****				C830	1-102-030-00	CERAMIC 330PF	10% 500V
C503	1-102-121-00	CERAMIC 0.0022MF	10% 50V				
C504	1-106-208-00	MYLAR 0.033MF	10% 100V				
C505	1-123-380-00	ELECT 1MF	20% 50V				
C506	1-108-587-00	MYLAR 0.022MF	5% 50V				
C507	1-123-380-00	ELECT 1MF	20% 50V				
C508	1-136-173-00	FILM 0.47MF	5% 50V				
C509	1-123-380-00	ELECT 1MF	20% 50V				
C511	1-123-356-00	ELECT 10MF	20% 25V				
C512	1-123-380-00	ELECT 1MF	20% 50V				
C513	1-108-587-00	MYLAR 0.022MF	5% 50V				
C514	1-108-595-00	MYLAR 0.047MF	5% 50V				
C515	1-124-514-51	ELECT 10UMF	20% 50V				
C516	1-102-228-00	CERAMIC 470PF	10% 500V				
C517	1-106-204-00	MYLAR 0.022MF	10% 100V				
C518	1-123-356-00	ELECT 1UMF	20% 25V				
C519	1-123-228-00	ELECT 1MF	20% 50V				
C520	1-123-330-00	ELECT 22MF	20% 25V				
C521	1-123-336-00	ELECT 470MF	20% 25V				
C522	1-123-330-00	ELECT 22MF	20% 16V				
C523	1-123-330-00	ELECT 22MF	20% 16V				
C524	1-123-380-00	ELECT 1MF	20% 50V				

D

Ref.No.	Part No.	Description	Remark	Ref.No.	Part No.	Description	Remark
C832	1-161-961-11	CERAMIC	0.0022MF 10% 3KV	D3	*1-560-125-00	PLUG, CONNECTOR (2.5MM) 5P	
C833	1-108-431-00	MYLAR	0.068MF 10% 200V	D4	*1-508-765-00	3P PLUG (M)	
C834	1-136-064-11	FILM	0.002MF 10% 2KV	D5	*1-508-765-00	3P PLOG (M)	
C835	1-136-079-11	FILM	0.01MF 10% 2KV	D6	*1-564-038-00	CONNECTOR PLUG, DY (MINI) 6P	
C836	1-136-186-00	FILM	2.4MF 5% 200V	D7	*1-508-766-00	4P PLUG (M)	
C837	1-108-433-00	MYLAR	0.1MF 10% 200V	D8	*1-560-290-00	PLUG, CONNECTOR (2.5MM PITCH)	
C838	1-136-112-00	FILM	1.4MF 5% 200V	D9	*1-560-124-00	PLUG, CONNECTOR (2.5MM) 4P	
C839	1-130-566-00	MYLAR	2.2MF 10% 250V	D10	*1-560-123-00	PLUG, CONNECTOR (2.5MM PITCH)	
C840	1-136-123-00	FILM	0.51MF 5% 400V	D11	*1-560-123-00	PLOG, CONNECTOR (2.5MM) 3P	
C841	1-123-267-00	ELECT	2.2MF 20% 160V	D12	*1-560-123-00	PLOG, CONNECTOR (2.5MM) 3P	
C842	1-106-186-00	MYLAR	0.0039MF 10% 100V	<u>DIODE</u>			
C843	1-123-380-00	ELECT	1MF 20% 50V	D501	8-719-100-23	OIOOE RD4.3E-B2	
C844	1-123-322-00	ELECT	330MF 20% 16V	D502	8-719-911-19	DIODE 1SS119	
C846	1-123-347-00	ELECT	330MF 20% 35V	D504	8-719-911-19	DIODE 1SS119	
C849	1-108-603-00	MYLAR	0.1MF 5% 50V	D505	8-719-911-19	DIODE 1SS119	
C850	1-129-706-00	FILM	0.0022MF 10% 630V	D506	8-719-911-55	OIOOE U05G	
C851	1-106-367-00	MYLAR	0.01MF 10% 200V	D507	8-719-911-19	OIOOE 1SS119	
C852	1-123-337-00	ELECT	1000MF 20% 25V	D751	8-719-911-19	OIOOE 1SS119	
C853	1-102-212-00	CERAMIC	820PF 10% 500V	D752	8-719-911-19	OIOOE 1SS119	
C854	1-121-999-00	ELECT	10MF 160V	D753	8-719-911-19	OIOOE 1SS119	
C855	1-123-024-00	ELECT	33MF 160V	D754	8-719-911-19	OIOOE 1SS119	
C856	1-108-429-00	MYLAR	0.047MF 10% 200V	D801	8-719-911-55	OIOOE U05G	
C857	1-102-223-00	CERAMIC	0.0047MF 10% 2KV	D802	8-719-911-19	OIOOE 1SS119	
C858	1-102-527-00	CERAMIC	82PF 5% 50V	D803	8-719-100-30	OIOOE R05.1E-B2	
C859	1-123-369-00	ELECT	4.7MF 20% 50V	D804	8-719-100-80	OIOOE R020E-B2	
C860	1-123-332-00	ELECT	47MF 20% 25V	D805	8-719-305-15	DIODE GH3F	
C861	1-136-065-11	FILM	0.0027MF 10% 2KV	D806	8-719-928-08	DIODE ER028-08	
C862	1-136-066-11	FILM	0.003MF 10% 2KV	D807	8-719-901-93	DIODE V19E	
C863	1-136-064-11	FILM	0.002MF 10% 2KV	D808	8-719-901-93	OIOOE V19E	
C865	1-106-367-00	MYLAR	0.01MF 10% 200V	D809	8-719-300-76	DIODE RH-1A	
C866	1-101-361-00	CERAMIC	150PF 5% 50V	D810	8-719-903-09	OIOOE V30N	
C868	1-123-356-00	ELECT	10MF 20% 16V	D811	8-719-911-19	OIOOE 1SS119	
C870	1-123-332-00	ELECT	47MF 20% 25V	D812	8-719-300-76	DIODE RH-1A	
C871	1-123-380-00	ELECT	1MF 20% 50V	D813	8-719-300-76	OIOOE RH-1A	
C872	1-106-196-00	MYLAR	0.01MF 10% 100V	D814	8-719-911-19	OIOOE 1SS119	
C873	1-123-323-00	ELECT	470MF 20% 16V	D815	8-719-911-19	OIOOE 1SS119	
C874	1-106-196-00	MYLAR	0.01MF 10% 100V	D816	8-719-911-19	OIOOE 1SS119	
C876	1-102-530-00	CERAMIC	120PF 5% 50V	D817	8-719-100-64	OIOOE R012E-B1	
C877	1-102-531-00	CERAMIC	150PF 5% 50V	D818	8-719-911-55	DIODE U05G	
C879	1-102-531-00	CERAMIC	150PF 5% 50V	<u>IC</u>			
C880	1-102-525-00	CERAMIC	68PF 5% 50V	IC501	8-759-100-60	IC UPC1377C	
C881	1-102-820-00	CERAMIC	330PF 5% 50V	IC502	8-759-979-16	IC CX7916	
C883	1-108-818-11	MYLAR	0.15MF 5% 50V	IC503	8-759-113-78	IC UPC1378H-L	
C884	1-123-356-00	ELECT	10MF 20% 25V	IC504	8-759-145-58	IC UPC4558C	
C885	1-108-599-00	MYLAR	0.068MF 5% 50V	IC801	8-759-345-38	IC HD14538BP	
C886	1-106-180-00	MYLAR	0.0022MF 5% 50V	IC802	8-759-240-11	IC TC4011BP	
C887	1-123-332-00	ELECT	47MF 20% 16V	IC803	8-759-145-58	IC UPC4558C	
C888	1-123-323-00	ELECT	470MF 20% 16V	IC804	6-066-717-10	IC TOA1082	
C889	1-108-818-71	MYLAR	0.15MF 5% 50V	IC805	8-759-700-06	IC OPC7812H	
<u>CONNECTOR</u>				*4-323-833-00	HEAT SINK, P1N OUT, IC805		
01	*1-560-126-00	PLUG, CONNECTOR (2.5MM) 6P					
02	*1-560-128-00	PLUG, CONNECTOR (2.5MM PITCH)					

The components identified by shading and mark **A** are critical for safety. Replace only with part number specified.

Les composants identifiés par une trame et une marque **A** sont critiques pour la sécurité. Ne les remplacer que par une pièce portant le numéro spécifié.



Ref.No.	Part No.	Description	Remark	Ref.No.	Part No.	Description	Remark
<u>COIL</u>							
L501	1-408-231-00	MICRO INDUCTOR 1MMH		0817	8-729-204-83	TRANSISTOR 2SA1048GR	
L752	1-407-508-00	MICRO INDUCTOR 22MMH		0818	8-729-204-83	TRANSISTOR 2SA1048GR	
L753	1-408-247-00	MICRO INDUCTOR 33MMH		0819	8-729-245-83	TRANSISTOR 2SC2458	
L802	1-408-349-00	COIL, CHOKE		0820	8-729-245-83	TRANSISTOR 2SC2458	
L803	1-408-238-00	MICRO INDUCTOR 3.9MMH		0821	8-729-245-83	TRANSISTOR 2SC2458	
L804	1-459-241-11	COIL, HORIZONTAL LINEALITY		0822	8-729-245-83	TRANSISTOR 2SC2458	
L805	1-459-568-11	COIL, CHOKE 9800H		0823	8-729-245-83	TRANSISTOR 2SC2458	
L806	1-407-365-00	COIL, CHOKE		0824	8-729-245-83	TRANSISTOR 2SC2458	
L807	1-459-104-00	COIL, OUST CORE		<u>RESISTOR</u>			
L808	1-407-364-00	COIL, SPOOK CHOKE 3.30H		R504	1-247-847-00	CARBON 4.7K 5%	1/6W
L809	1-407-841-00	COIL 150H		R505	1-247-869-00	CARBON 39K 5%	1/6W
L810	1-407-166-XX	MICRO INDUCTOR 560H		R506	1-247-887-00	CARBON 220K 5%	1/6W
L811	1-459-155-00	COIL (WITH CORE) 45MH		R507	1-215-455-00	METAL 27K 1%	1/6W
L812	1-459-115-00	COIL, OCC-H		R508	1-247-833-00	CARBON 1.2K 5%	1/6W
L814	1-407-841-00	COIL 150H		R509	1-215-473-00	METAL 150K 1%	1/6W
L816	1-408-247-00	MICRO INDUCTOR 33MMH		R510	1-215-461-00	METAL 47K 1%	1/6W
<u>TRANSISTOR</u>				R513	1-215-479-00	METAL 270K 1%	1/6W
Q502	8-729-900-36	TRANSISTOR OTC124ES		R514	1-215-463-00	METAL 56K 1%	1/6W
Q503	8-729-900-36	TRANSISTOR OTC124ES		R515	1-247-820-00	CARBON 360 5%	1/6W
Q504	8-729-900-36	TRANSISTOR OTC124ES		R516	1-247-827-00	CARBON 680 5%	1/6W
Q505	8-729-900-63	TRANSISTOR OTA124ES		R517	1-247-828-00	CARBON 750 5%	1/6W
Q508	8-729-245-83	TRANSISTOR 2SC2458		R518	1-247-815-00	CARBON 220 5%	1/6W
Q509	8-729-900-36	TRANSISTOR OTC124ES		R519	1-247-879-00	CARBON 100K 5%	1/6W
Q510	8-723-305-00	TRANSISTOR 2SK43-5		R520	1-247-847-00	CARBON 4.7K 5%	1/6W
Q751	8-729-245-83	TRANSISTOR 2SC2458		R521	1-247-886-00	CARBON 200K 5%	1/6W
Q752	8-729-313-42	TRANSISTOR 2SD1134		R522	1-215-458-00	METAL 36K 1%	1/6W
Q753	8-729-306-92	TRANSISTOR 2SO669A		R524	1-247-842-00	CARBON 3K 5%	1/6W
Q754	*4-329-153-00	HEAT SINK, V OUT, Q753		R525	1-247-857-00	CARBON 12K 5%	1/6W
Q754	8-729-304-92	TRANSISTOR 2SB649A		R526	1-247-846-00	CARBON 4.3K 5%	1/6W
Q755	*4-329-153-00	HEAT SINK, V OUT, Q754		R527	1-247-863-00	CARBON 22K 5%	1/6W
Q756	8-729-177-43	TRANSISTOR 2SD774		R528	1-215-373-31	METAL 10 1%	1/6W
Q756	8-729-177-43	TRANSISTOR 2SD774		R529	1-213-137-00	METAL OXIDE 330 5%	1W F
Q757	8-729-177-43	TRANSISTOR 2SD774		R530	1-213-137-00	METAL OXIDE 330 5%	1W F
Q758	8-729-374-02	TRANSISTOR 2SB740		R531	1-247-874-00	CARBON 62K 5%	1/6W
Q760	8-729-245-83	TRANSISTOR 2SC2458		R532	1-247-870-00	CARBON 43K 5%	1/6W
Q801	8-729-245-83	TRANSISTOR 2SC2458		R533	1-247-824-00	CARBON 510 5%	1/6W
Q802	8-729-204-83	TRANSISTOR 2SA1048GR		R534	1-247-824-00	CARBON 510 5%	1/6W
Q802	8-729-204-83	TRANSISTOR 2SA1048GR		R542	1-212-366-00	METAL OXIDE 3.3 5%	1W F
Q803	8-729-245-83	TRANSISTOR 2SC2458		R544	1-247-230-00	CARBON 390 5%	1/2W
Q804	8-729-168-82	TRANSISTOR 2SC2688		R545	1-247-837-00	CARBON 1.8K 5%	1/6W
Q805	8-729-800-87	TRANSISTOR 2SO1398		R546	1-247-851-00	CARBON 6.8K 5%	1/6W
Q805	*4-363-404-00	HOLEER. IC. 0805		R547	1-247-831-00	CARBON 1K 5%	1/6W
Q805	4-363-414-00	SPACER. MICA. 0805		R548	1-247-849-00	CARBON 5.6K 5%	1/6W
Q805	4-363-414-00	SPACER. MICA. 0805		R549	1-247-855-00	CARBON 10K 5%	1/6W
Q806	8-729-313-82	TRANSISTOR 2SO1138		R550	1-247-878-00	CARBON 91K 5%	1/6W
Q807	8-729-900-36	TRANSISTOR OTC124ES		R551	1-247-871-00	CARBON 47K 5%	1/6W
Q808	8-729-900-36	TRANSISTOR OTC124ES		R552	1-247-853-00	CARBON 8.2K 5%	1/6W
Q810	8-729-900-36	TRANSISTOR OTC124ES		R553	1-247-847-00	CARBON 4.7K 5%	1/6W
Q811	8-729-204-83	TRANSISTOR 2SA1048GR		R554	1-247-886-00	CARBON 200K 5%	1/6W
Q812	8-729-245-83	TRANSISTOR 2SC2458		R555	1-247-849-00	CARBON 5.6K 5%	1/6W
Q813	8-729-900-36	TRANSISTOR OTC124ES		R556	1-247-859-00	CARBON 15K 5%	1/6W
Q816	8-729-245-83	TRANSISTOR 2SC2458		R558	1-247-873-00	CARBON 56K 5%	1/6W

The components identified by shading and mark **A** are critical for safety. Replace only with part number specified.

Les composants identifiés par une trame et une marque **A** sont critiques pour la sécurité. Ne les remplacer que par une pièce portant le numéro spécifié.

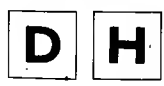
D

Ref.No.	Part No.	Description	Remark	Ref.No.	Part No.	Description	Remark
R559	1-247-855-00	CARBON	10K 5% 1/6W	R773	1-247-824-00	CARBON	510 5% 1/6W
R560	1-247-855-00	CARBON	10K 5% 1/6W	R774	1-247-817-00	CARBON	270 5% 1/6W
R561	1-247-876-00	CARBON	75K 5% 1/6W	R775	1-247-824-00	CARBON	510 5% 1/6W
R562	1-247-875-00	CARBON	68K 5% 1/6W	R776	1-247-819-00	CARBON	330 5% 1/6W
R563	1-247-875-00	CARBON	68K 5% 1/6W	R777	1-247-825-00	CARBON	560 5% 1/6W
R564	1-247-889-00	CARBON	270K 5% 1/6W	R778	1-247-875-00	CARBON	68K 5% 1/6W
R565	1-247-855-00	CARBON	10K 5% 1/6W	R779	1-247-855-00	CARBON	10K 5% 1/6W
R566	1-215-493-00	METAL	1M 1% 1/6W	R780	1-247-833-00	CARBON	1.2K 5% 1/6W
R567	1-247-877-00	CARBON	82K 5% 1/6W	R781	1-247-816-00	CARBON	240 5% 1/6W
R568	1-247-807-00	CARBON	100 5% 1/6W	R782	1-247-822-00	CARBON	430 5% 1/6W
R569	1-247-875-00	CARBON	68K 5% 1/6W	R783	1-247-817-00	CARBON	270 5% 1/6W
R570	1-247-870-00	CARBON	43K 5% 1/6W	R784	1-247-851-00	CARBON	6.8K 5% 1/6W
R571	1-247-831-00	CARBON	1K 5% 1/6W	R785	1-247-021-00	CARBON	1.5 5% 1/8W F
R572	1-247-831-00	CARBON	1K 5% 1/6W	R786	1-247-021-00	CARBON	1.5 5% 1/8W F
R573	1-247-881-00	CARBON	120K 5% 1/6W	R787	1-247-881-00	CARBON	120K 5% 1/6W
R574	1-247-873-00	CARBON	56K 5% 1/6W	R788	1-247-879-00	CARBON	100K 5% 1/6W
R575	1-247-849-00	CARBON	5.6K 5% 1/6W	R789	1-247-833-00	CARBON	1.2K 5% 1/6W
R576	1-247-839-00	CARBON	2.2K 5% 1/6W	R790	1-247-001-11	CARBON	15 5% 1/4W F
R577	1-247-815-00	CARBON	220 5% 1/6W	R801	1-247-837-00	CARBON	1.8K 5% 1/6W
R578	1-247-889-00	CARBON	270K 5% 1/6W	R802	1-247-861-00	CARBON	18K 5% 1/6W
R579	1-247-879-00	CARBON	100K 5% 1/6W	R803	1-247-875-00	CARBON	68K 5% 1/6W
R580	1-247-831-00	CARBON	1K 5% 1/6W	R804	1-247-867-00	CARBON	33K 5% 1/6W
R581	1-247-831-00	CARBON	1K 5% 1/6W	R805	1-247-835-00	CARBON	1.5K 5% 1/6W
R582	1-247-849-00	CARBON	5.6K 5% 1/6W	R806	1-247-839-00	CARBON	2.2K 5% 1/6W
R583	1-247-892-00	CARBON	360K 5% 1/6W	R807	1-247-894-00	CARBON	430K 5% 1/6W
R584	1-247-871-00	CARBON	47K 5% 1/6W	R808	1-247-865-00	CARBON	27K 5% 1/6W
R585	1-247-789-00	CARBON	18 5% 1/6W	R809	1-247-835-00	CARBON	1.5K 5% 1/6W
R586	1-247-855-00	CARBON	10K 5% 1/6W	R810	1-247-857-00	CARBON	12K 5% 1/6W
R587	1-247-831-00	CARBON	1K 5% 1/6W	R811	1-215-462-00	METAL	51K 1% 1/6W
R589	1-247-831-00	CARBON	1K 5% 1/6W	R812	1-247-873-00	CARBON	56K 5% 1/6W
R590	1-247-903-00	CARBON	1M 5% 1/6W	R813	1-247-825-00	CARBON	560 5% 1/6W
R591	1-247-886-00	CARBON	200K 5% 1/6W	R814	1-247-849-00	CARBON	5.6K 5% 1/6W
R592	1-212-364-00	METAL OXIOE	2.2 5% 1W F	R815	1-247-857-00	CARBON	12K 5% 1/6W
R751	1-247-874-00	CARBON	62K 5% 1/6W	R816	1-247-807-00	CARBON	100 5% 1/6W
R753	1-247-875-00	CARBON	68K 5% 1/6W	R817	1-247-877-00	CARBON	82K 5% 1/6W
R754	1-247-861-00	CARBON	18K 5% 1/6W	R818	1-247-868-00	CARBON	36K 5% 1/6W
R755	1-247-831-00	CARBON	1K 5% 1/6W	R819	1-247-857-00	CARBON	12K 5% 1/6W
R756	1-247-825-00	CARBON	560 5% 1/6W	R820	1-247-877-00	CARBON	82K 5% 1/6W
R757	1-247-831-00	CARBON	1K 5% 1/6W	R821	1-247-879-00	CARBON	100K 5% 1/6W
R758	1-247-819-00	CARBON	330 5% 1/6W	R822	1-247-879-00	CARBON	100K 5% 1/6W
R760	1-247-824-00	CARBON	510 5% 1/6W	R823	1-247-845-00	CARBON	3.9K 5% 1/6W
R761	1-247-831-00	CARBON	1K 5% 1/6W	R824	1-247-833-00	CARBON	1.2K 5% 1/6W
R762	1-247-827-00	CARBON	680 5% 1/6W	R825	1-247-855-00	CARBON	10K 5% 1/6W
R763	1-247-886-00	CARBON	200K 5% 1/6W	R826	1-215-473-00	METAL	150K 1% 1/6W
R764	1-247-846-00	CARBON	4.3K 5% 1/6W	R827	1-215-447-00	METAL	12K 1% 1/6W
R765	1-213-147-00	METAL OXIOE	2.2K 5% 1W F	R828	1-215-441-00	METAL	6.8K 1% 1/6W
R766	1-247-802-00	CARBON	62 5% 1/6W	R829	1-247-829-00	CARBON	56 5% 1/6W
R767	1-247-807-00	CARBON	100 5% 1/6W	R830	1-247-867-00	CARBON	33K 5% 1/6W
R768	1-247-857-00	CARBON	12K 5% 1/6W	R831	1-247-864-00	CARBON	24K 5% 1/6W
R769	1-247-021-00	CARBON	1.5 5% 1/8W F	R832	1-247-841-00	CARBON	2.7K 5% 1/6W
R770	1-247-021-00	CARBON	1.5 5% 1/8W F	R833	1-215-449-00	METAL	15K 1% 1/6W
R771	1-247-874-00	CARBON	62K 5% 1/6W	R834	1-215-464-00	METAL	62K 1% 1/6W
R772	1-247-870-00	CARBON	43K 5% 1/6W	R835	1-215-467-00	METAL	82K 1% 1/6W

- The components identified by  in this manual have been carefully factory-selected for each set in order to satisfy regulations regarding X-ray radiation. Select the resistance value according to SAFETY RELATED ADJUSTMENT

The components identified by shading and mark  are critical for safety. Replace only with part number specified.

Les composants identifiés par une trame et une marque  sont critiques pour la sécurité. Ne les remplacer que par une pièce portant le numéro spécifié.



Ref.No.	Part No.	Description	Remark	Ref.No.	Part No.	Description	Remark
R836	1-247-819-00	CARBON	330 5% 1/6W	R889	1-215-463-00	METAL	56K 1% 1/6W
R837	1-247-831-00	CARBON	1K 5% 1/6W	R890	1-212-360-00	METAL OXIDE	1 5% 1W F
R838	1-206-745-00	METAL OXIDE	6.8K 5% 3W F	R891 <b>A</b>	METAL	10K 1% 1/6W	
R839	1-247-662-00	CARBON	560 5% 1/4W F	R892	1-215-445-00	METAL	10K 1% 1/6W
R840	1-247-841-00	CARBON	2.7K 5% 1/6W	R893	1-247-851-00	CARBON	6.8K 5% 1/6W
R841	1-212-361-00	METAL OXIDE	1.2 5% 1W F	R894	1-247-869-00	CARBON	39K 5% 1/6W
R842	1-206-745-00	METAL OXIDE	6.8K 5% 3W F	R895	1-247-839-00	CARBON	2.2K 5% 1/6W
R843	1-247-851-00	CARBON	6.8K 5% 1/6W	R896	1-247-831-00	CARBON	1K 5% 1/6W
R844	1-213-126-00	METAL OXIDE	39 5% 1W F	R897	1-247-846-00	CARBON	4.3K 5% 1/6W
R845	1-215-465-00	METAL	68K 1% 1/6W	R898	1-247-831-00	CARBON	1K 5% 1/6W
R846	1-247-819-00	CARBON	330 5% 1/6W	R899	1-247-823-00	CARBON	470 5% 1/6W
R847	1-247-855-00	CARBON	10K 5% 1/6W	<u>VARIABLE RESISTOR</u>			
R848	1-247-846-00	CARBON	4.3K 5% 1/6W	RV501	1-228-577-00	RES. ADJ. CARBON	220
R849	1-247-861-00	CARBON	18K 5% 1/6W	RV502	1-228-724-00	RES. ADJ. CARBON	10K
R850	1-247-844-00	CARBON	3.6K 5% 1/6W	RV503	1-226-848-00	RES. ADJ. CARBON	2.2K
R851	1-247-861-00	CARBON	18K 5% 1/6W	RV504	1-226-852-00	RES. ADJ. CARBON	22K
R852	1-247-863-00	CARBON	22K 5% 1/6W	RV505	1-224-249-XX	RES. ADJ. METAL GLAZE	1K
R853	1-247-845-00	CARBON	3.9K 5% 1/6W	RV506	1-226-855-00	RES. ADJ. CARBON	220K
R854	1-247-815-00	CARBON	220 5% 1/6W	RV507	1-226-850-00	RES. ADJ. CARBON	4.7K
R855	1-247-819-00	CARBON	330 5% 1/6W	RV751	1-226-850-00	RES. ADJ. CARBON	4.7K
R856	1-247-853-00	CARBON	8.2K 5% 1/6W	RV752	1-228-724-00	RES. ADJ. CARBON	10K
R857	1-247-879-00	CARBON	100K 5% 1/6W	RV753	1-226-850-00	RES. ADJ. CARBON	4.7K
R858	1-247-890-00	CARBON	300K 5% 1/6W	RV802	1-228-160-11	RES. ADJ. METAL GLAZE	5K
R859	1-247-867-00	CARBON	33K 5% 1/6W	RV803	1-226-849-00	RES. ADJ. CARBON	3.3K
R860	1-217-418-00	FUSIBLE	0.47 10% 1/2W F	RV804	1-226-847-00	RES. ADJ. CARBON	1K
R861	1-217-418-00	FUSIBLE	0.47 10% 1/2W F	RV805	1-226-845-00	RES. ADJ. CARBON	330
R862	1-244-923-00	CARBON	120K 5% 1/2W	RV806	1-226-849-00	RES. ADJ. CARBON	3.3K
R863	1-244-923-00	CARBON	120K 5% 1/2W	RV807	1-226-848-00	RES. ADJ. CARBON	2.2K
R864	1-246-488-00	CARBON	4.3K 5% 1/4W	RV808	1-223-102-00	RES. ADJ. WIREWOUND	120
R865	1-247-147-00	CARBON	4.7K 5% 1/4W	RV809	1-226-192-00	RES. ADJ. CARBON	47K
R866	1-247-614-00	CARBON	3.3K 5% 1/8W	RV811	1-226-857-00	RES. ADJ. CARBON	470K
R867	1-213-143-00	METAL OXIDE	1K 5% 1W F	RV812	1-226-853-00	RES. ADJ. CARBON	47K
R868	1-213-147-00	METAL OXIDE	2.2K 5% 1W F	<u>TRANSFORMER</u>			
R869	1-213-127-00	METAL OXIDE	47 5% 1W F	T801	1-437-090-00	HDT	
R870	1-247-867-00	CARBON	33K 5% 1/6W	T803 <b>A</b>	1-421-693-11	TRANSFORMER, FERRITE	
R871	1-247-839-00	CARBON	2.2K 5% 1/6W	<u>THERMISTOR</u>			
R872	1-247-877-00	CARBON	82K 5% 1/6W	TH501	1-806-110-00	THERMISTOR	
R873	1-247-855-00	CARBON	10K 5% 1/6W	TH751	1-800-071-XX	THERMISTOR, S-300	
R874	1-247-865-00	CARBON	27K 5% 1/6W	*****			
R875	1-247-843-00	CARBON	3.3K 5% 1/6W	*1-613-041-11	H BOARD	*****	
R876	1-212-364-00	METAL OXIDE	2.2 5% 1W F	*4-365-401-00	HOLDER (10 GANG), LED		
R877	1-247-874-00	CARBON	62K 5% 1/6W	<u>DIOOE</u>			
R878	1-247-894-00	CARBON	430K 5% 1/6W	D681	8-719-114-34	DIOOE SY4320	
R879	1-247-841-00	CARBON	2.7K 5% 1/6W	D682	8-719-114-34	DIOOE SY4320	
R880	1-247-839-00	CARBON	2.2K 5% 1/6W	D683	8-719-114-34	DIOOE SY4320	
R881	1-247-855-00	CARBON	10K 5% 1/6W	D684	8-719-114-34	DIOOE SY4320	
R882	1-247-831-00	CARBON	1K 5% 1/6W				
R883	1-247-841-00	CARBON	2.7K 5% 1/6W				
R884	1-247-841-00	CARBON	2.7K 5% 1/6W				
R885	1-247-881-00	CARBON	120K 5% 1/6W				
R886	1-247-845-00	CARBON	3.9K 5% 1/8W				
R887	1-247-807-00	CARBON	100 5% 1/6W				
R888	1-215-477-00	METAL	220K 1% 1/6W				

• The components identified by **A** in this manual have been carefully factory-selected for each set in order to satisfy regulations regarding X-ray radiation. Select the resistance value according to SAFETY RELATED ADJUSTMENT.

The components identified by shading and mark **A** are critical for safety. Replace only with part number specified.

Les composants identifiés par une trame et une marque **A** sont critiques pour la sécurité. Ne les remplacer que par une pièce portant le numéro spécifié.

H

Ref.No.	Part No.	Description	Remark
0685	8-719-114-34	DIODE SY432D	
0686	8-719-114-34	DIODE SY432D	
0687	8-719-114-34	DIODE SY432D	
0688	8-719-114-34	DIODE SY432D	
0689	8-719-114-34	DIODE SY432D	
0690	8-719-102-34	DIODE SG2320	
<u>TRANSISTOR</u>			
0681	8-729-204-83	TRANSISTOR 2SA1048GR	
<u>RESISTOR</u>			
R681	1-247-855-00	CARBON 10K 5% 1/6W	
R682	1-247-868-00	CARBON 36K 5% 1/6W	
R684	1-247-854-00	CARBON 9.1K 5% 1/6W	
R685	1-247-831-00	CARBON 1K 5% 1/6W	
R686	1-247-831-00	CARBON 1K 5% 1/6W	
R687	1-247-851-00	CARBON 6.8K 5% 1/6W	
R688	1-247-831-00	CARBON 1K 5% 1/6W	
R689	1-247-837-00	CARBON 1.8K 5% 1/6W	
<u>VARIABLE RESISTOR</u>			
RV681	1-228-937-00	RES. VAR. CARBON 20K	
RV682	1-228-938-00	RES. VAR. CARBON 20K	
RV683	1-228-938-00	RES. VAR. CARBON 20K	
RV684	1-228-938-00	RES. VAR. CARBON 20K	
RV685	1-228-936-00	RES. VAR. CARBON 10K	
RV686	1-228-936-00	RES. VAR. CARBON 10K	
<u>SWITCH</u>			
S671	1-516-777-XX	SLIDE SWITCH	
S672	1-516-777-XX	SLIDE SWITCH	
S673	1-516-777-XX	SLIDE SWITCH	
S674	1-554-118-00	SWITCH. PUSH	
S675	1-554-405-00	SWITCH, PUSH (5 KEY)	
*****			
<u>MISCELLANEOUS</u>			
*****			
▲	1-162-142-21	CAP. BLOCK, HIGH VOLTAGE	
▲	1-228-482-13	RESISTOR ASSY, HIGH-VOLTAGE	
▲	1-451-239-11	DEFLECTION YOKE (SY-97A)	
	1-452-032-00	MAGNET, DISK; 10MM Ø	
	1-452-094-00	MAGNET, ROTABLE DISK; 15MM Ø	
	1-452-146-21	MAGNET, BMC	
▲	1-452-214-12	CRT NECK ASSY (H TYPE)	
▲	1-534-517-31	CORONA AC	
	*1-556-528-00	CONNECTOR ASSY (MINI, 0Y) 6P	
C901	1-123-337-00	CAP. ELECT 1000MF	
L901	▲ 1-426-086-12	COIL, DEGAUSSING	
S901	▲ 1-553-584-12	SWITCH, PUSH (POWER)	
SP901	1-503-109-00	SPEAKER	
T802	▲ 1-439-308-12	TRANSFORMER ASSY, FLYBACK	

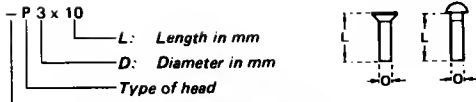
Ref.No.	Part No.	Description	Remark
V901	▲ 8-738-312-05	CRT (330Y822)	
*****			
ACCESSORIES AND PACKING MATERIALS			
*****			
	<u>Part No.</u>	<u>Description</u>	<u>Remark</u>
	4-316-037-00	BAG, POLYETHYLENE	
	4-364-734-00	CUSHION (UPPER) (ASSY)	
	4-364-735-00	CUSHION (LOWER) (ASSY)	
	4-365-428-01	INDIVIDUAL CARTON	
	4-491-213-22	INSTRUCTION	
	4-493-991-11	MANUAL, INSTRUCTION	

The components identified by shading and mark ▲ are critical for safety. Replace only with part number specified.

Les composants identifiés par une trame et une marque ▲ sont critiques pour la sécurité. Ne les remplacer que par une pièce portant le numéro spécifié.

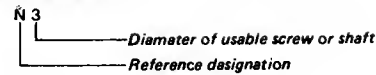
**HARDWARE NOMENCLATURE**

Screw:



Indicated slotted-head only.  
Unless otherwise indicated, it means cross-recessed head (Phillips type).

Nut, Washer, Retaining ring:

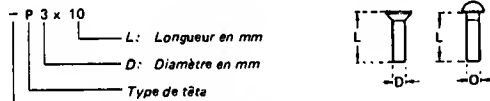


Reference Designation	Shape	Description	Remarks
<b>SCREWS</b>			
P		pan-head screw	binding-head (B) screw for replacement
PWH		pan-head screw with washer face	binding-head (B) screw and flat washer for replacement
PS PSP		pan-head screw with spring washer	binding-head (B) screw and spring washer for replacement
PSW PSPW		pan-head screw with spring and flat washers	binding-head (B) screw and spring and flat washers for replacement
R		round-head screw	binding-head (B) screw for replacement
K		flat-countersunk-head screw	
RK		oval-countersunk-head screw	
B		binding-head screw	
T		truss-head screw	binding-head (B) screw for replacement
F		flat-fillister-head screw	
RF		fillister-head screw	
BV		brazier-head screw	

Reference Designation	Shape	Description	Remarks
<b>SELF-TAPPING SCREWS</b>			
TA		self-tapping screw	ex: TA, P 3 x 10
PTP		pan-head self-tapping screw	binding-head self-tapping (TA, B) screw for replacement
PTPWH		pan-head self-tapping screw with washer face	binding-head self-tapping (TA, B) screw and flat washer for replacement
PTTWH		pan-head thread-rolling screw with washer face	binding-head (B) screw and flat washer for replacement
<b>SET SCREWS</b>			
SC		set screw	
SC		hexagon-socket set screw	ex: SC 2.6 x 4, hexagon socket
<b>NUT</b>			
N		nut	
<b>WASHERS</b>			
W		flat washer	
SW		spring washer	
LW		internal-tooth lock washer	ex: LW3, internal
LW		external-tooth lock washer	ex: LW3, external
<b>RETAINING RINGS</b>			
E		retaining ring	
G		grip-type retaining ring	

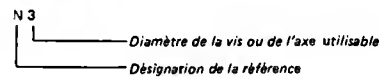
**NOMENCLATURE FERRONNERIE**

Vis:



Précise le type de rainure de la tête.  
Sauf indication contraire il s'agit de vis cruciforme (Type Phillips)

Ecrou, Rondelle, Circlips:



Désignation de la référence	Forme	Description	Remarques
<b>VIS</b>			
P		Vis à tête cylindrique large	Peut être remplacée par une vis à tête cylindrique (B).
PWH		Vis à tête cylindrique large et rondelle fixe.	Peut être remplacée par une vis à tête cylindrique (B) et une rondelle fixe.
PS PSP		Vis à tête cylindrique large et rondelle à ressort fixe.	Peut être remplacée par une vis à tête cylindrique (B) et une rondelle à ressort.
PSW PSPW		Vis à tête cylindrique large et rondelles plates et à ressort.	Peut être remplacée par une vis à tête cylindrique (B) et une rondelle plate plus une rondelle à ressort.
R		Vis à tête ronde	Peut être remplacée par une vis à tête cylindrique (B).
K		Vis à tête fraisée	
RK		Vis à tête fraisée bombée	
B		Vis à tête cylindrique	
T		Vis à tête ronde large	Peut être remplacée par une vis à tête cylindrique (B).
F		Vis à tête moulée plate	
RF		Vis à tête moulée	
BV		Vis à tête soudée	

Désignation de la référence	Forme	Description	Remarques
<b>VIS AUTOTARDEUSES</b>			
TA		Vis autotardeuse	ex: TA, P 3 x 10
PTP		Vis autotardeuse à tête cylindrique large.	Peut être remplacée par une vis autotardeuse à tête cylindrique (TA, B).
PTPWH		Vis autotardeuse à tête cylindrique large et rondelle fixe.	Peut être remplacée par une vis autotardeuse à tête cylindrique (TA, B) et une rondelle plate.
PTTWH		Vis à tige fileté et tête cylindrique large avec rondelle fixe.	Peut être remplacée par une vis à tête cylindrique (B) et une rondelle plate.
<b>VIS OE SERRAGE</b>			
SC		Vis de serrage	
SC		Vis de serrage à douille hexagonale	ex: SC 2,6 x 4, douille hexagonale
<b>ECROU</b>			
N		Ecrou	
<b>RONDELLES</b>			
W		Rondelle plate	
SW		Rondelle à ressort	
LW		Rondelle éventail denture intérieure	ex: LW3, intérieure
LW		Rondelle éventail denture extérieure	ex: LW3, extérieure
<b>CIRCLIPS</b>			
E		Circlips	
G		Circlips à griffe	





SGD

X-4364-702-3 white  
X-4364-704-5 white  
PVM 1220Q  
PV  
-0 CUM-1270

